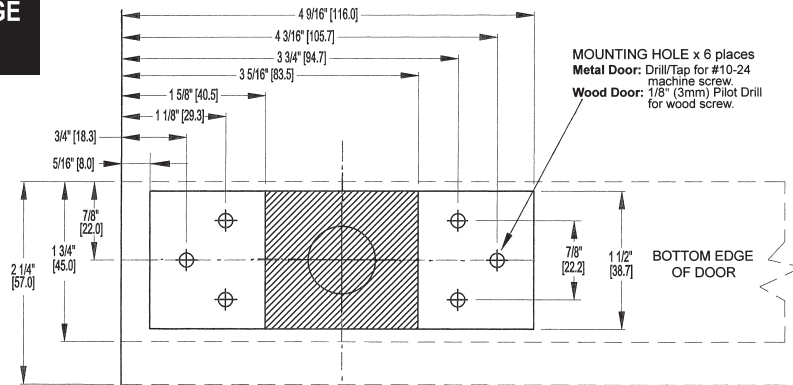


### BOTTOM EDGE OF DOOR



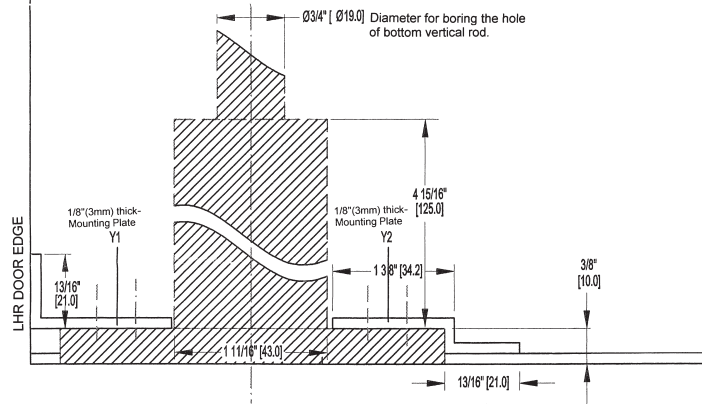
MOUNTING HOLE x 6 places  
**Metal Door:** Drill Tap for #10-24 machine screw  
**Wood Door:** 1/8" (3mm) Pilot Drill for wood screw.

### MOUNTING HOLES

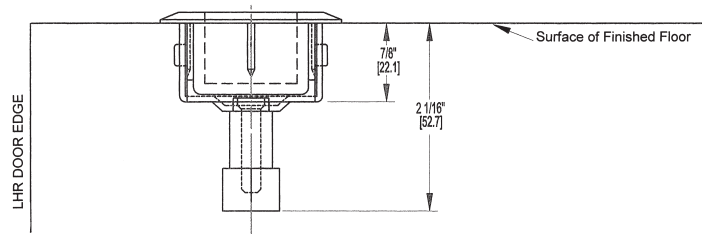
**Metal Door:**  
 To weld two steel mounting plates (Y1, Y2) on bottom edge of door for mounting bottom latch assembly use.

**Wood Door:**  
 Cut out and bore the oblique line area on bottom edge of door for mounting bottom latch assembly use.

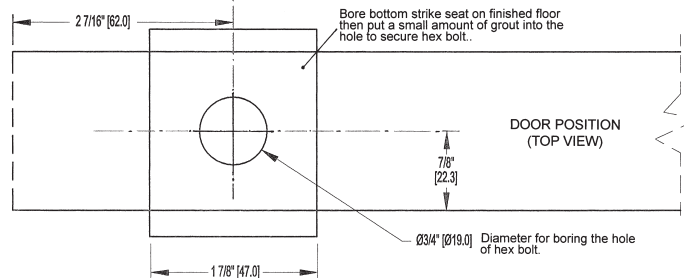
• PRIMARY DIMENSIONS SHOWN IN INCHES, DIMENSIONS IN [ ] ARE MILLIMETERS.



### FINISHED FLOOR



For RHR door use, invert this template.



Printed in 2016

Not to Scale