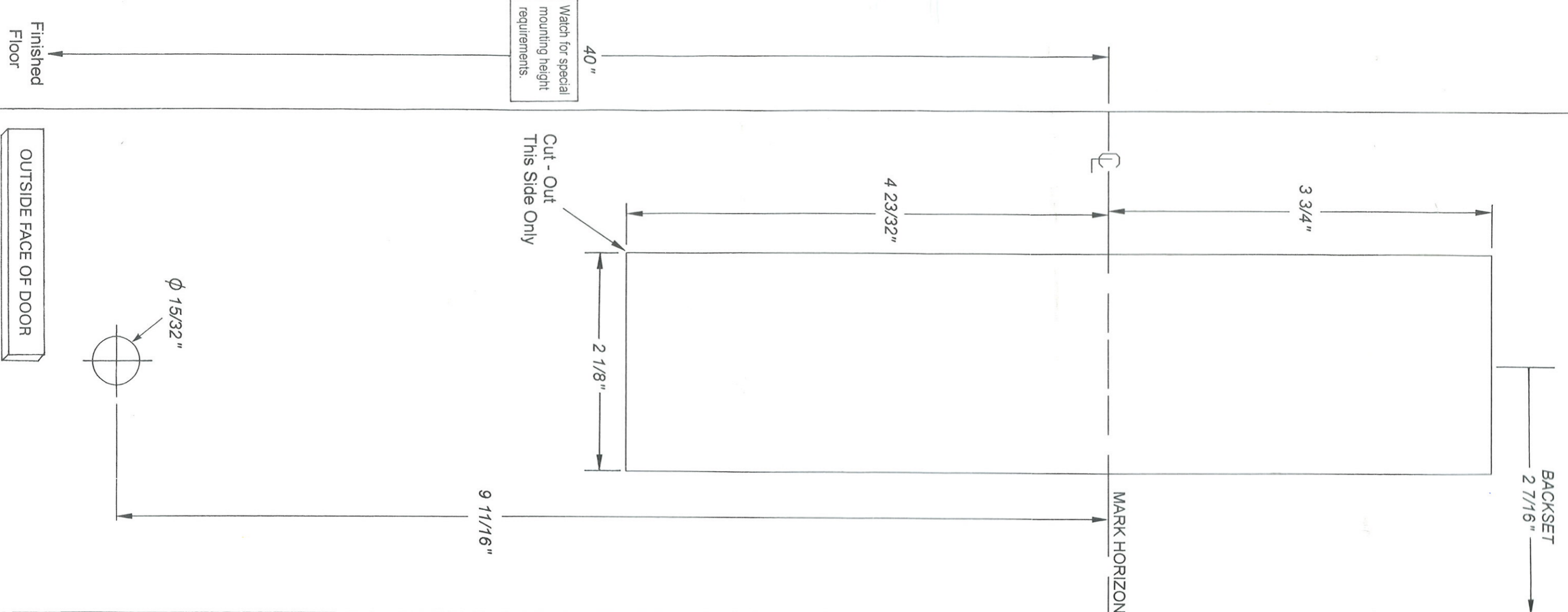
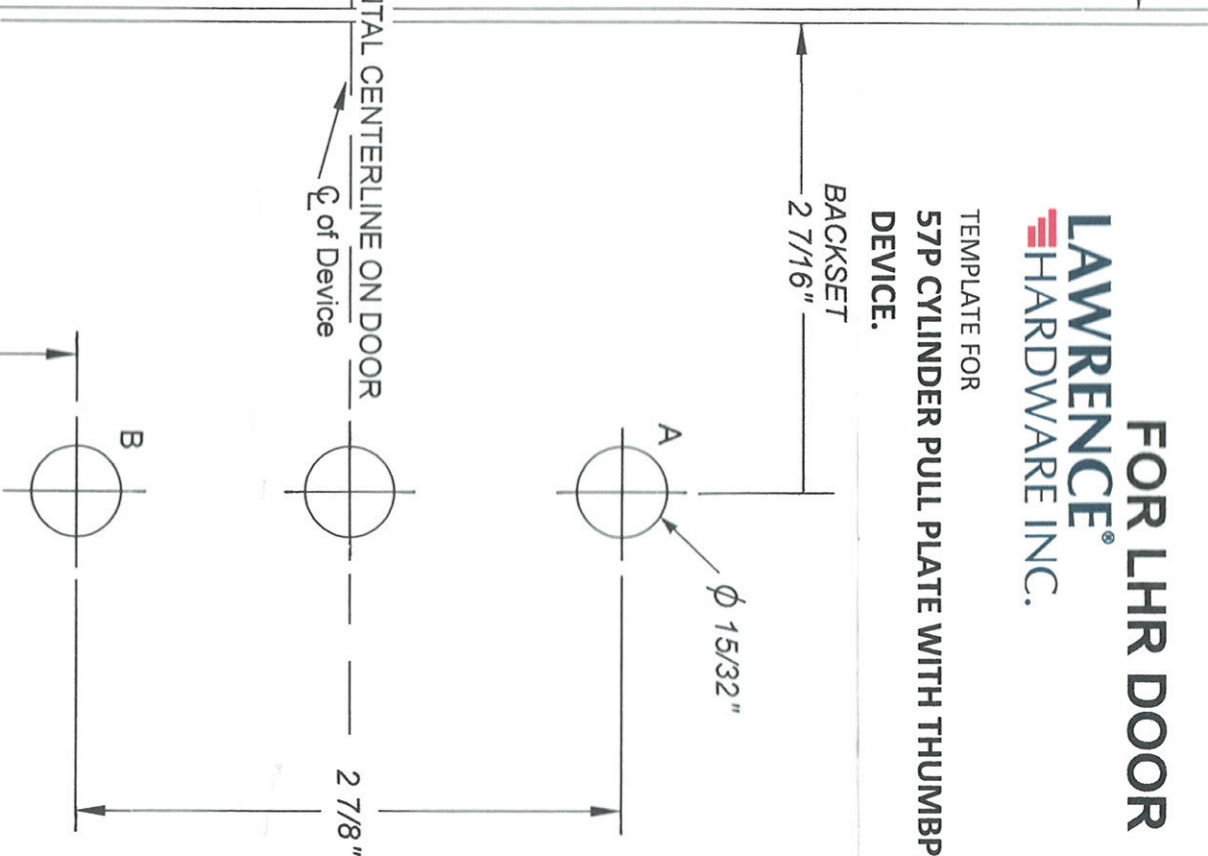


# TEMPLATE ( Cylinder Pull Plate with Thumbpiece )

**FOR LHR DOOR**  
**LAWRENCE®**  
**HARDWARE INC.**

TEMPLATE FOR  
**57P CYLINDER PULL PLATE WITH THUMBPIECE**  
**DEVICE.**



INSIDE FACE OF DOOR

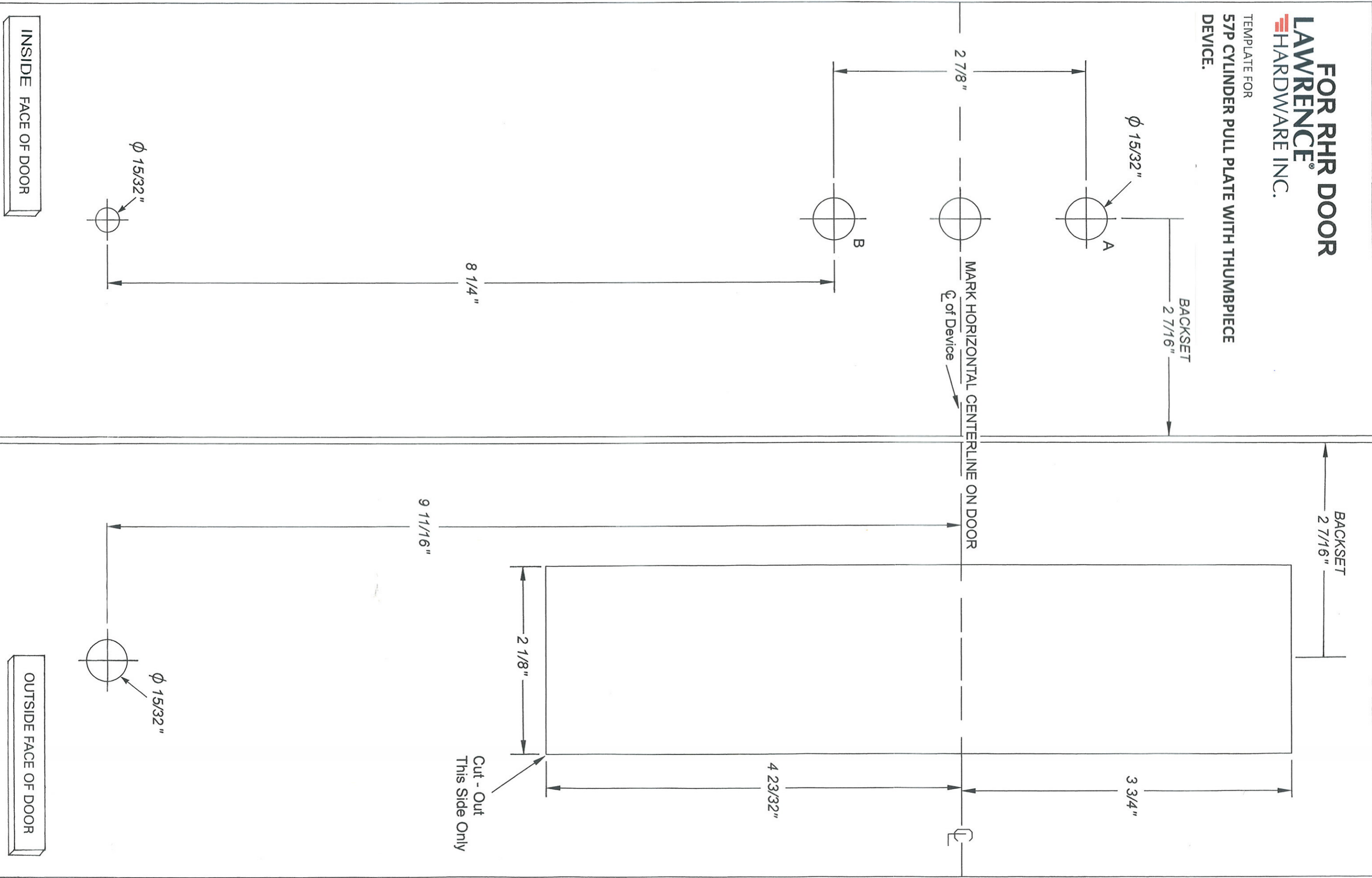
OUTSIDE FACE OF DOOR

### Simple Instructions:

1. Install a Mortise Cylinder with supplied Cylinder Holding Nut.
  2. If door is already drilled and cut, insert the trim into the holes from outside of the door, then fasten by three mounting screws
- For single door and double door with mullion use, the backset 2 - 7/16 " is to face of stop.
  - For double door without mullion use, the backset 2 - 7/16 " is to edge of door.

**FOR RHR DOOR**  
**LAWRENCE®**  
 HARDWARE INC.

TEMPLATE FOR  
**57P CYLINDER PULL PLATE WITH THUMBPIECE**  
 DEVICE.



**Simple Instructions:**

1. Install a Mortise Cylinder with supplied Cylinder Holding Nut.
2. If door is already drilled and cut, insert the trim into the holes from outside of the door, then fasten by three mounting screws from inside of the door ( the upper two screws must go through

- For single door and double door with mullion use, the backset  $2 - 7/16$ " is to *face of stop*.
- For double door without mullion use, the backset  $2 - 7/16$ " is to *edge of door*.

Watch mounting requirements

Finish