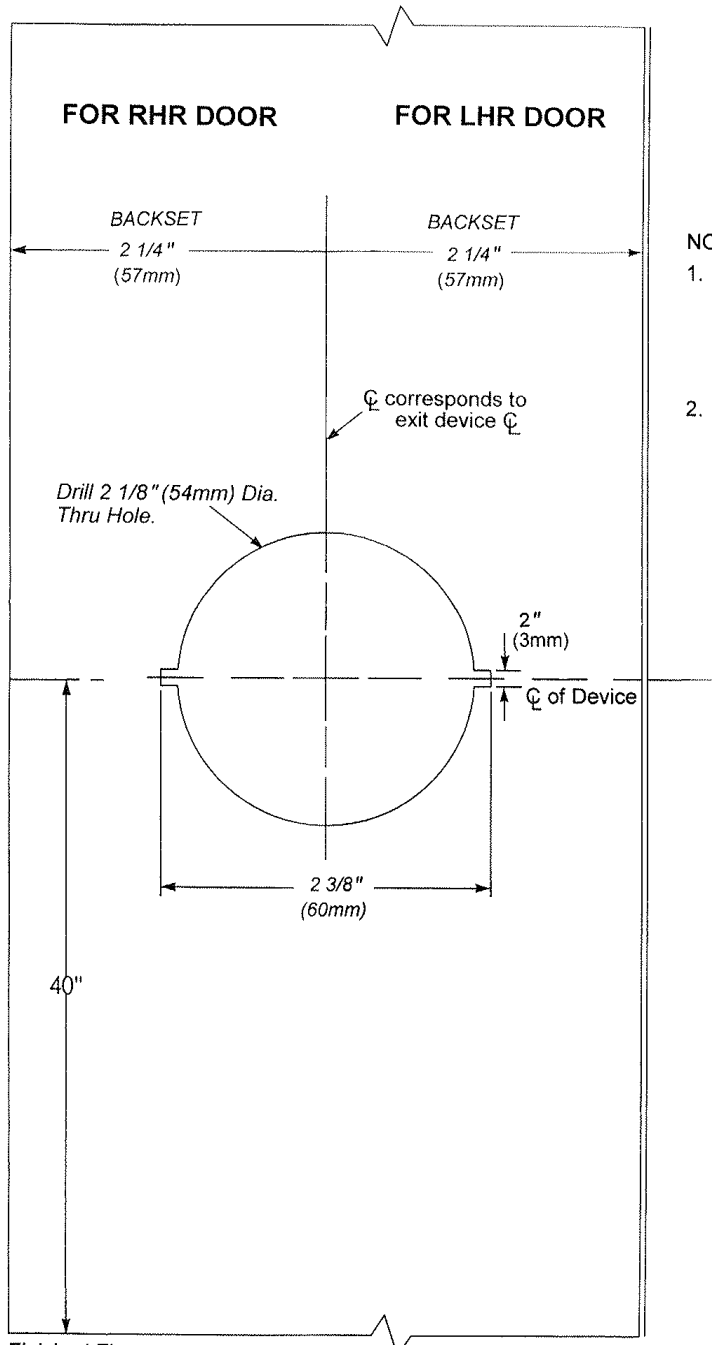


TEMPLATE

FOR KEY IN LEVER / KEY IN KNOB TRIM

(Use for Economy Exit Devices only)



NOTE:

1. For single door & double doors with mullion applications, the backset 2 - 1/4" (57mm) is to *face of stop*.
2. For double doors without mullion applications, the backset 2 - 1/4" (57mm) is to *edge of door*.

Not to Scale

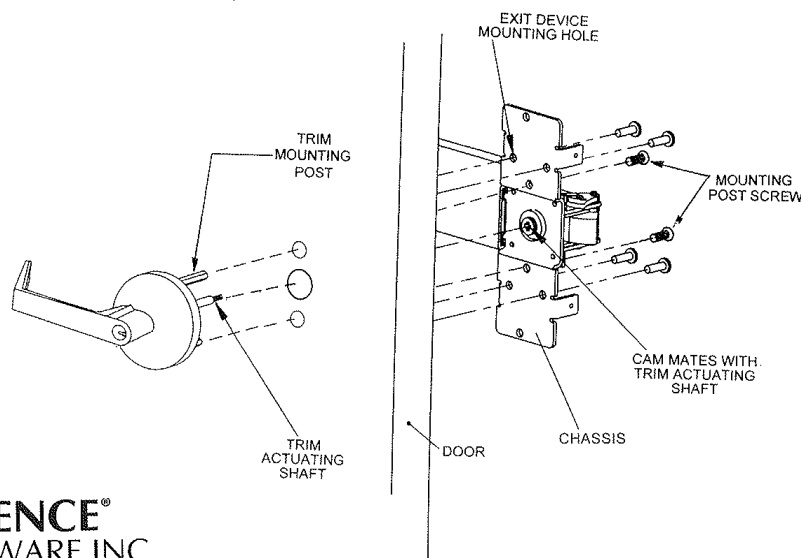
The use of non-clutching impact drivers to install this hardware will automatically void the warranty.

KEY-IN-LEVER TRIM (ROSE LEVER TRIM) INSTALLATION INSTRUCTIONS

1. Mark horizontal centerline by matching this trim to the exit device centerline on outside face of door.
2. Apply template to both sides of door using centerline.
3. Mark and drill two $\varnothing 11/32"$ (9mm) through holes for mounting posts as shown on template.
4. Mark and drill one $\varnothing 2 1/8"$ (54mm) hole, and cut out two horny holes at the both sides of this big hole as shown on template.
5. Mark and drill one $\varnothing 15/32"$ (12mm) for the trim actuating shaft on inside face of door.
6. Insert two mounting posts and the trim actuating shaft through door, mate the trim actuating shaft with cam on back of the exit device chassis.
7. Secure the trim and exit device to door from the interior with provided screws.
8. Test lever handle or key to make sure it operates the latch smoothly.

Note:

- A. For thick door installation, use the trim with a long actuating shaft, to order it separately.
- B. Dummy trim is used for pulling door only, the lever handle does not rotate.



LAWRENCE[®]
HARDWARE INC.

TEMPLATE & INSTALLATION INSTRUCTION FOR
SF801 Grade 1 ROSE LEVER TRIM.

Not to Scale

The use of non-clutching impact drivers to install this hardware will automatically void the warranty.