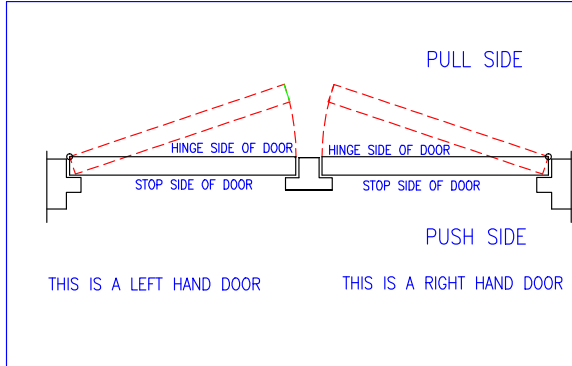
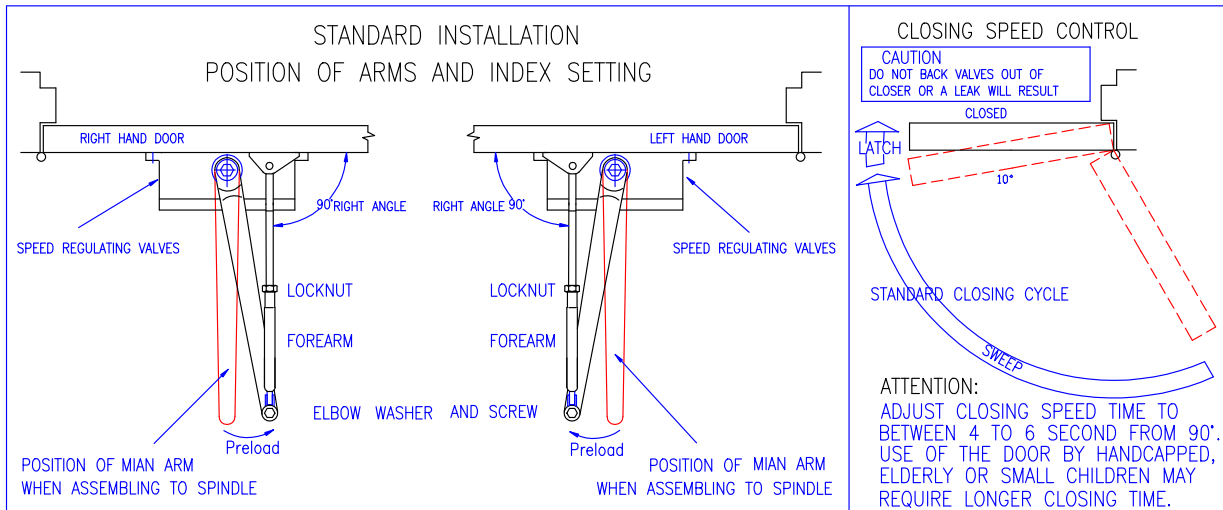
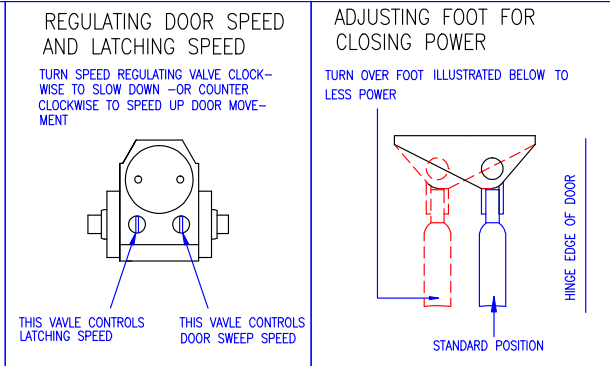


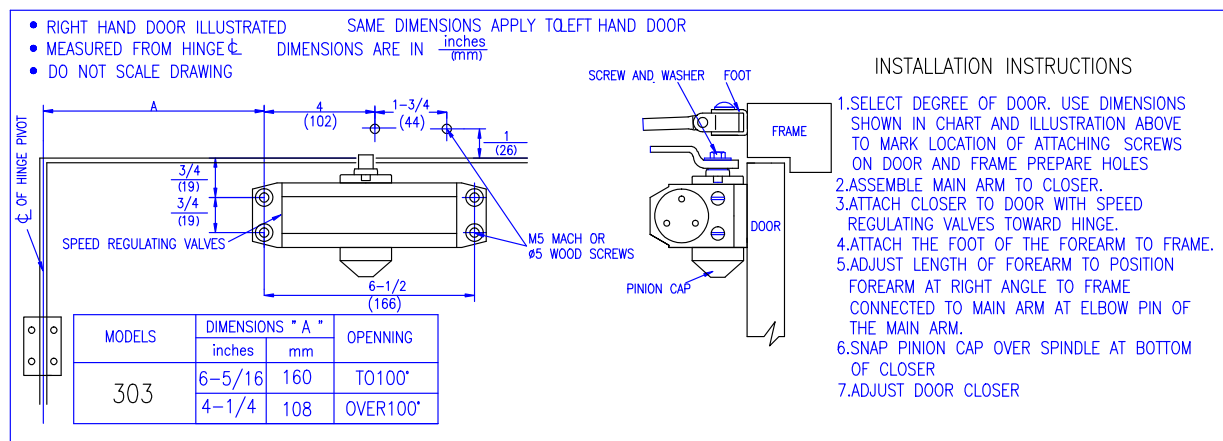
■ CHART TO DETERMINE HAND OF DOOR



■ FINAL ADJUSTMENT AND REGULATING PROCEDURES



■ STANDARD INSTALLATION : PULL SIDE MOUNT



Not to Scale

The use of non-clutching impact drivers to install this hardware will automatically void the warranty.

■ TOP JAMB INSTALLATION: PUSH SIDE MOUNT

- LEFT HAND DOOR ILLUSTRATED SAME DIMENSIONS APPLY TO RIGHT HAND DOOR
- DIMENSIONS ARE IN $\frac{\text{inches}}{\text{(mm)}}$ MEASURED FROM HINGE ϕ
- DO NOT SCALE DRAWING

INSTALLATION INSTRUCTIONS

1. SELECT DEGREE OF DOOR. USE DIMENSIONS SHOWN IN CHART AND ILLUSTRATION ABOVE TO MARK LOCATION OF ATTACHING SCREWS ON DOOR AND FRAME PREPARE HOLES
2. ASSEMBLE MAIN ARM TO CLOSER.
3. ATTACH CLOSER TO FRAME WITH SPEED REGULATING VALVES TOWARD HINGE.
4. ATTACH THE FOOT OF THE FOREARM TO DOOR.
5. ADJUST LENGTH OF FOREARM TO POSITION FOREARM AT RIGHT ANGLE TO FRAME CONNECTED TO MAIN ARM AT ELBOW PIN OF THE MAIN ARM.
6. SNAP PINION CAP OVER SPINDLE AT BOTTOM OF CLOSER
7. ADJUST DOOR CLOSER

MODELS	DIMENSIONS * A *		OPENNING
	inches	mm	
303	6-5/16	160	TO 100'
	4-1/4	108	OVER 100'

■ PARALLEL ARM INSTALLATION : PUSH SIDE MOUNT

- RIGHT HAND DOOR ILLUSTRATED SAME DIMENSIONS APPLY TO LEFT HAND DOOR
- MEASURED FROM HINGE ϕ DIMENSIONS ARE IN $\frac{\text{inches}}{\text{(mm)}}$
- DO NOT SCALE DRAWING

INSTALLATION INSTRUCTIONS

1. SELECT DEGREE OF DOOR. USE DIMENSIONS SHOWN IN CHART AND ILLUSTRATION ABOVE TO MARK LOCATION OF ATTACHING SCREWS ON DOOR AND FRAME PREPARE HOLES
2. ATTACH CLOSER TO DOOR WITH SPEED REGULATING VALVES BACK TO HINGE.
3. ATTACH MAIN ARM AS FOLLOW:
 (A) PLACE OPEN END WRENCH ON BOTTOM SHAFT & TURN TOWARD HINGE ABOUT 37°.
 (B) PLACE MAIN ARM ON TOP SHAFT, INSERT ARM SCREW INTO TOP OF SHAFT AND TIGHTEN.
4. ATTACH PA PLATE TO TOP FRAME AS SHOWN.
5. ATTACH FOOT OF FOREARM TO PA PLATE.
6. ADJUST LENGTH OF FOREARM TO POSITION FOREARM AT PARALLEL TO FRAME, THEN CONNECTED TO MAIN ARM AT ELBOW PIN OF THE MAIN ARM.
7. SNAP PINION CAP OVER SPINDLE AT BOTTOM.
8. ADJUST DOOR CLOSER.

MODELS	DIMENSIONS * A *		DIMENSIONS * B *		OPENNING
	inches	mm	inches	mm	
303	8-3/16	208	6-5/8	168	TO 110'
	6-1/8	156	4-9/16	116	OVER 110'

APPLICABLE DOOR: WEIGHT 40-65 Kg

Not to Scale

The use of non-clutching impact drivers to install this hardware will automatically void the warranty.