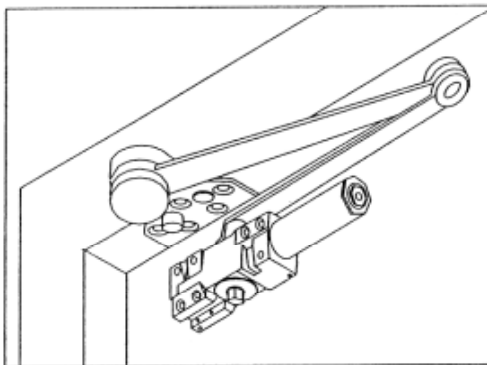


## LH8016 template with heavy duty arm, CSA40 ARM41

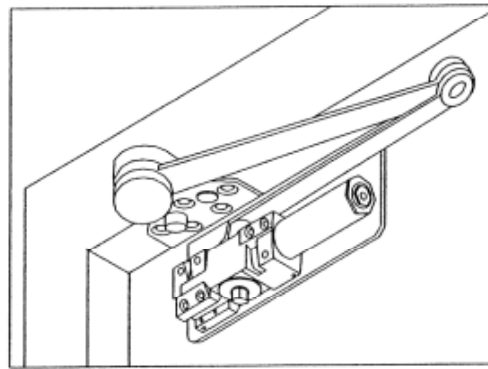
### ADJUSTABLE POWER DOOR CLOSER

#### INSTALLATION & INSTRUCTION SHEET

#### PUSH SIDE MOUNTED (PARALLEL ARM) D.S.



standard installation



install on drop plate

#### GENERAL NOTES

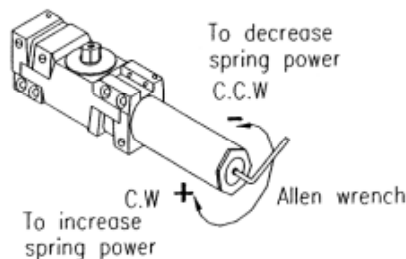
The BA SERIES closer is non-handed and designed to meet entrance accessibility requirements. Before installation, determine hand of door first. Refer to the drawing (right), then the proper installation template.

The BA SERIES closer can be adjusted to handle all exterior doors up to 4'0" and interior doors up to 5'0" wide. Adjust the spring power as shown **before installing the closer**. Turn the spring adjustment nut clockwise or counter-clockwise the required number of turns to match door width as indicated in chart below.

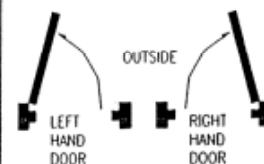
MAXIMUM DOOR WIDTH		FULL TURNS REQUIRED
EXTERIOR DOORS	INTERIOR DOORS	
	5lb-f*	5 TURNS C.C.W
8.5lb-f*	34"	2 TURNS C.C.W
30"	38"	0 TURNS
36"	48"	5 TURNS C.W
42"	54"	10 TURNS C.W
48"	60"	15 TURNS C.W

\* Opening Force on 36" Door

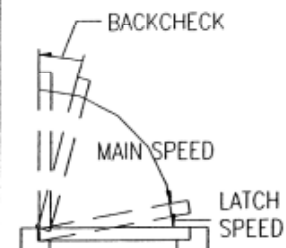
**IMPORTANT**—When adjusting spring power **DO NOT** exceed the maximum number of turns in either direction! Beyond either maximum number of turns may damage closer.



#### HOW TO TELL HAND OF DOOR



#### CLOSER CONTROL DIAGRAM

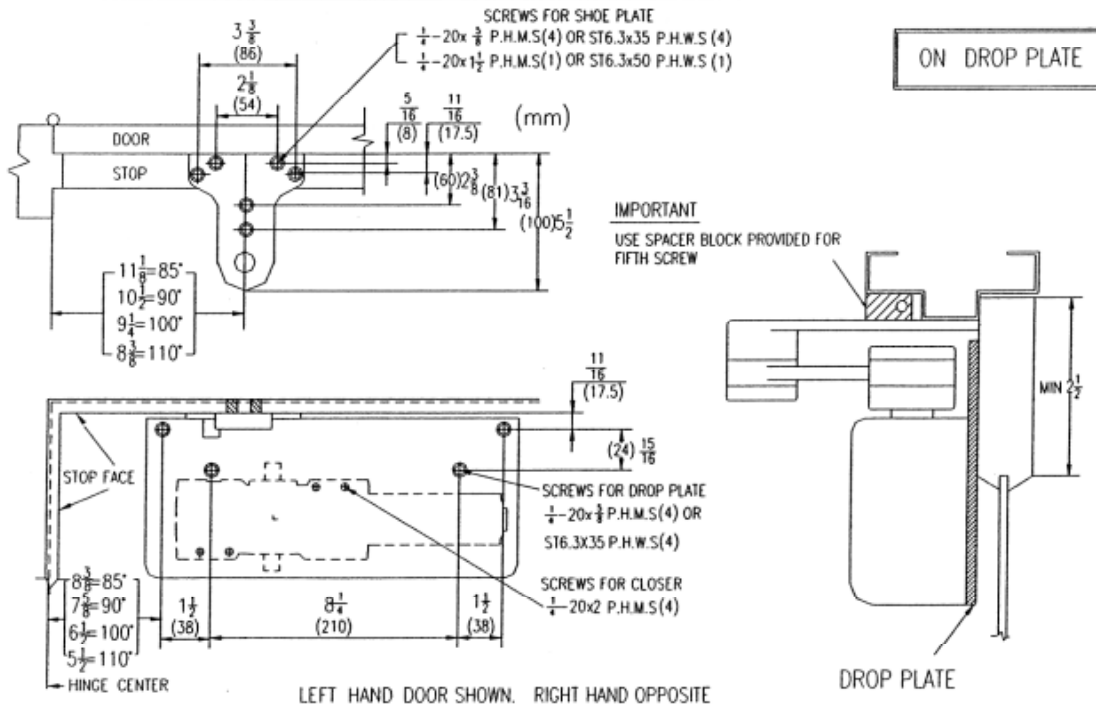
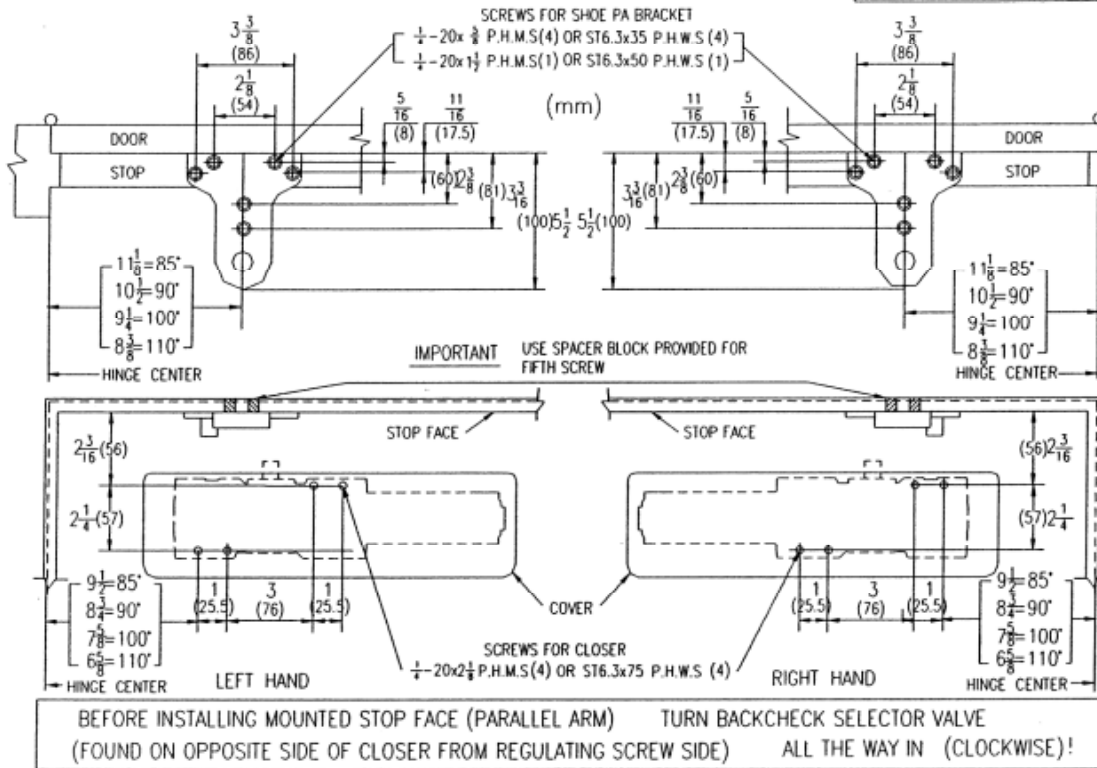


# LAWRENCE® HARDWARE INC.

## MOUNTED STOP FACE (PUSH SIDE) PARALLEL ARM

TOP RAIL LESS THAN 5-1/2"; DROP PLATE WILL BE REQUIRED.  
(AVAILABLE FROM DEALER) MAXIMUM OPENING 110"

PUSH SIDE MOUNTING



# LAWRENCE® HARDWARE INC.

RIGHT HAND ASSEMBLY SHOWN

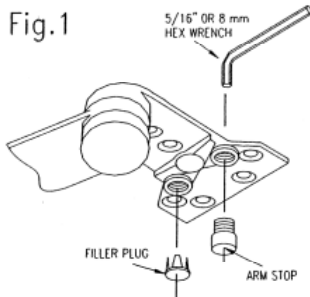


Fig. 1

Both the DS and DSHO shoes must be "handed" to match door BEFORE mounting. See Fig. 1  
 For Left Hand doors: All shoes are shipped assembled for left hand doors. Insert 5/16" (8 mm) Hex wrench into arm stop and turn counter-clockwise to seat stop as tightly as possible.

For Right Hand doors: (see illustration) Push filler plug out of shoe. Using a 5/16" (8 mm) Hex wrench, turn arm stop clockwise to remove from shoe. Thread arm stop in hole marked "R". Turn wrench counter-clockwise, seating stop as tightly as possible. Insert filler plug into other hole.

**CAUTION**  
 IMPROPER INSTALLATION OR REGULATION MAY RESULT IN PERSONAL INJURY OR PROPERTY DAMAGE.  
 FOLLOW ALL INSTRUCTIONS CAREFULLY. FOR QUESTIONS CONTACT DEALER

## INSTALLATION & ADJUSTMENT INSTRUCTIONS

(LEFT HAND SHOWN - RIGHT HAND OPPOSITE)

BEFORE INSTALLING THE ARM -TURN BACKCHECK SELECTOR VALVE (on back of closer) ALL THE WAY IN.

1. Adjust spring power to match door width as indicated by chart on front page.
2. Select proper templating on opposite page, based on degree of opening /dead stop. The closer and arm holes must be located for same degree of opening /dead stop. Drill and / or top mounting holes in door and head jamb.
3. Attach complete arm to closer, as shown at left. Arm will be at about a 30° angle to closer body. Fasten with arm shaft screw. The arm will appear to be in an incorrect position. This is to accommodate the pre-load required for parallel arm mounted door closers. See Fig. 2.
4. Mount closer on door, using fasteners provided.  
 NOTE: arm will provide some resistance.
5. Swing door open about 45°. Mount shoe to frame stop per proper templating on opposite page. Be sure to install the "fifth" screw, if stop is not wide enough, use spacer block provided.

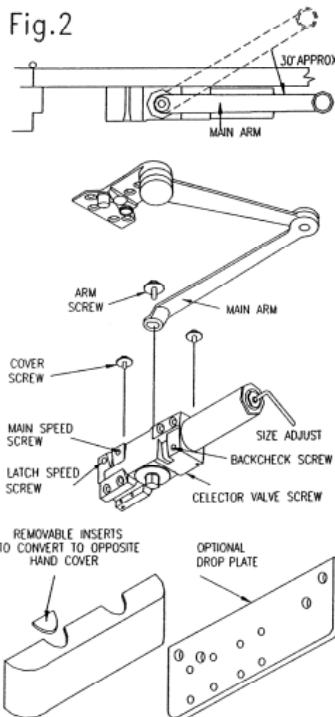


Fig. 2

## REGULATION

**CAUTION** DO NOT BACK VALVES OUT OF CLOSER OR A LEAK WILL RESULT

The BA series closer has been regulated prior to shipment. If adjustments are necessary, carefully follow instructions.

**CLOSING SPEED:** See Closer Control Diagram on page 1.  
 To adjust Main Speed, turn reg. screw clockwise to decrease or counter-clockwise to increase. To adjust Latch Speed, turn reg. screw clockwise to decrease or counter-clockwise to increase. Reg. screw locations are shown at left and on label.

**BACKCHECK:** is essential for proper operation of Cush-Stop. Use enough backcheck to prevent arm from striking arm stop with impact. To increase resistance, turn reg. screw clockwise.  
 -DO NOT USE ABRUPT BACKCHECK!-

6. Attach cover: place cover insert into proper slots for either R.H. or L.H. door. Place cover over closer and hold against door while tightening cover screws firmly.