

**The Rim Exit Device with Electrified Trim
 Installation Instructions (Narrow Stile)**

A. Door Preparation for the Exit Devices and the Electric Trim Control

1. Follow attached installation instructions and templates for basic door preparation for the exit device and the escutcheon lever trim.
2. Cut out one hole L 1-3/16" (30mm)xW 1 1/2" (38mm) as per trim template or figure 1 on the outside face of the door for clearance around the electric mechanism. See the oblique lines on the template.
3. Electrical Specifications :
 - 3-1. All solenoids are continuous duty type,keep operating voltage at ±10% of rated voltage.
 - 3-2.

VOLTS	AMP
24 VDC	0.23A±5%

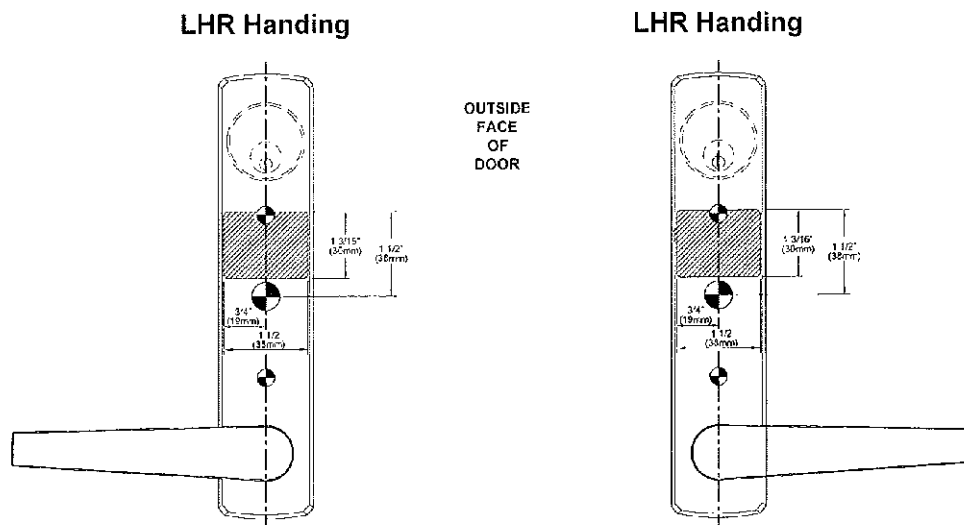


FIG. 1

Not to Scale

The use of non-clutching impact drivers to install this hardware will automatically void the warranty.

- Provide a ϕ 3/8" minimum raceway through the door to allow for routing of electrical wires from the end cap of the exit device to power transfer or electric hinge (see Fig. 2 & Fig. 3).

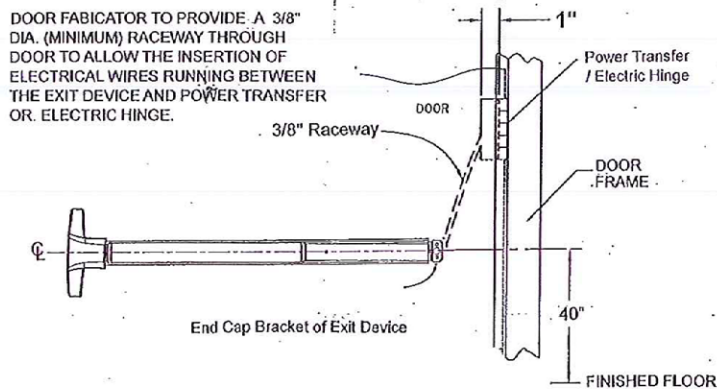


FIG. 2

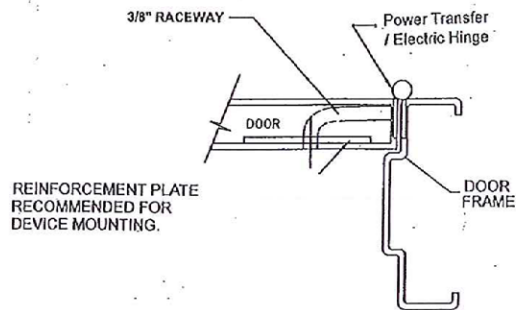


FIG. 3

B. Installation of the Exit Device and the Electric Trim Control:

- Route the harness from the electric control to the exit device head through the additional door preparation hole and enlarge the exit device chassis hole.
- Connect the electric trim harness to the exit device harness in the exit device head. Verify the harness connection is not interfering with the movement of the mechanism.

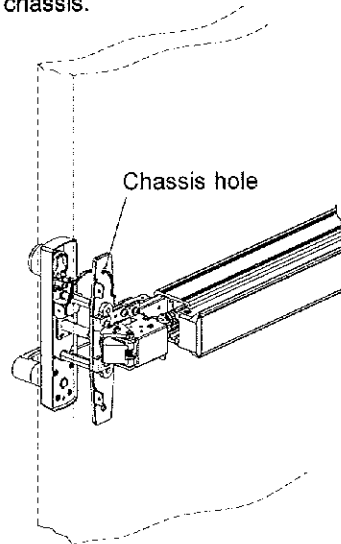
Not to Scale

The use of non-clutching impact drivers to install this hardware will automatically void the warranty.

The cable routing figures as shown below :

RIM EXIT DEVICE

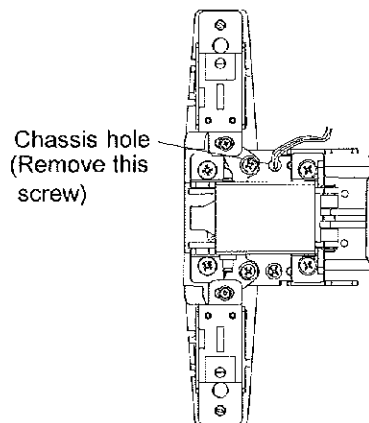
- Feed the connector on the trim control through the 0.25 Dia. prep hole of door and through the hole in the rim exit device chassis.



- Connect the cable assembly to the connector on the trim and finish mounting the exit device per the attached installation instructions.

VERTICAL ROD EXIT DEVICE

- Feed the connector on the trim control through the 0.165 Dia. prep hole of door and through the hole in the vertical rod exit device chassis.



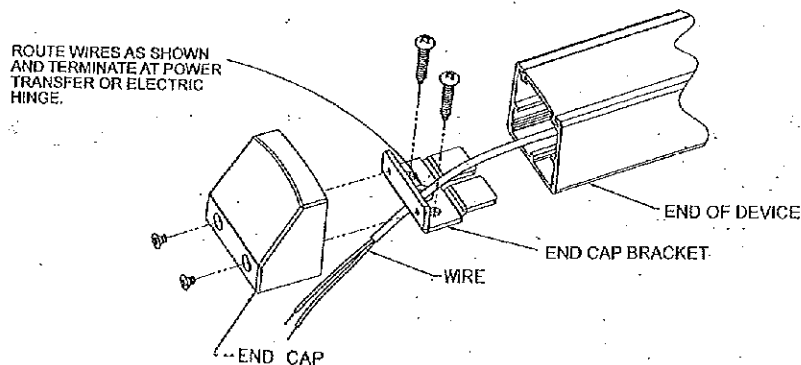
- Connect the cable assembly to the connector on the trim and finish mounting the exit device per the attached installation instructions.

Not to Scale

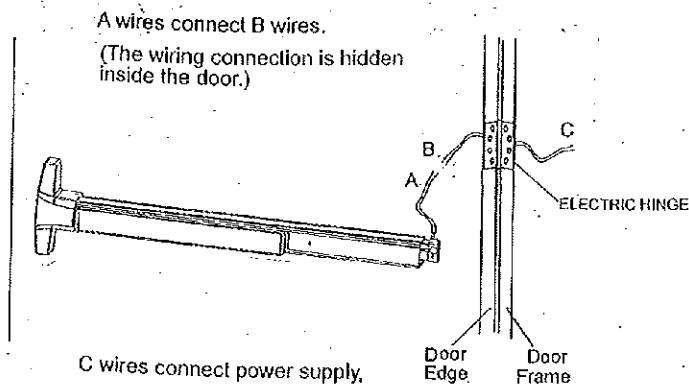
The use of non-clutching impact drivers to install this hardware will automatically void the warranty.

3. Wiring Termination

Terminate wire connections with appropriate crimp splices or wire nuts.

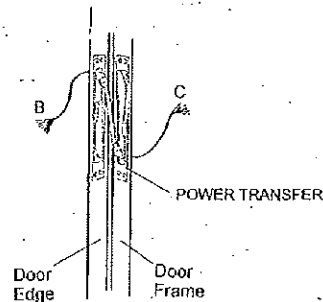


4. Connect the wire leads of the exit device harness to the power transfer device or electric hinge.



5. Install a keyswitch or digital keypad on the outside wall, then connect its wire leads to the power supply.

6. Operation Test
 Use a valid code entering into the keypad, power will apply to the trim, then see if it can make lever active and allow to open the door or not.



4.

Not to Scale

The use of non-clutching impact drivers to install this hardware will automatically void the warranty.