

Fig. 1

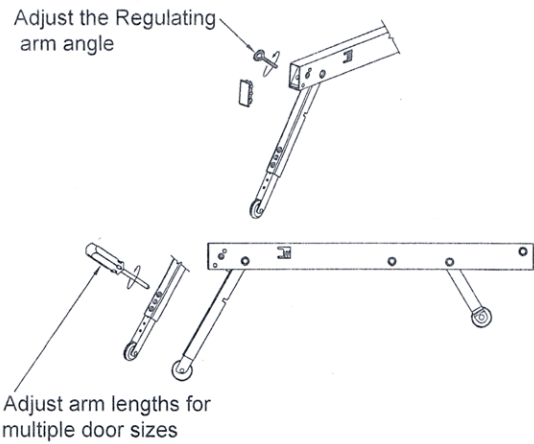


Fig. 2

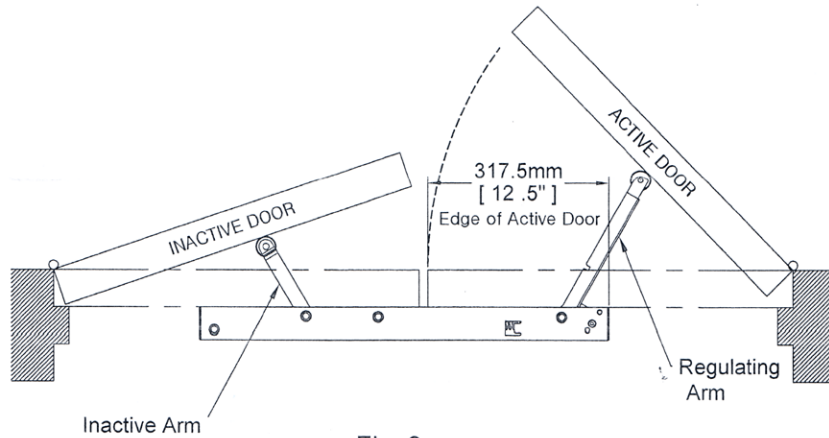


Fig. 3

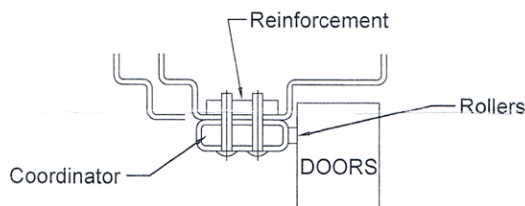


Fig. 4

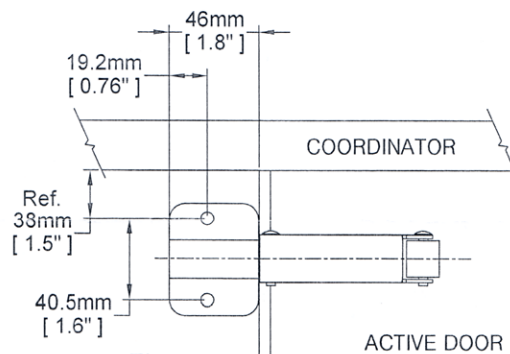


Fig. 5

Drill For (2) \varnothing 3/8" Sex Bolts

Not to Scale

The use of non-clutching impact drivers to install this hardware will automatically void the warranty.