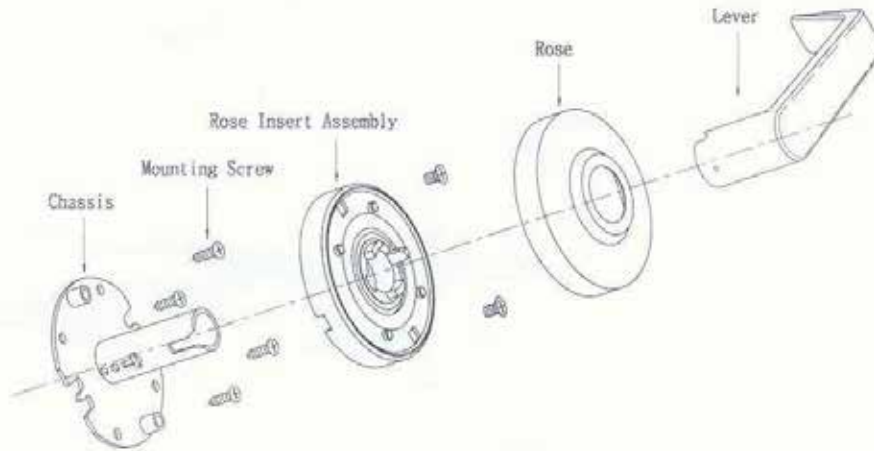


Installation Instructions for Dummy Trim Lever Lock

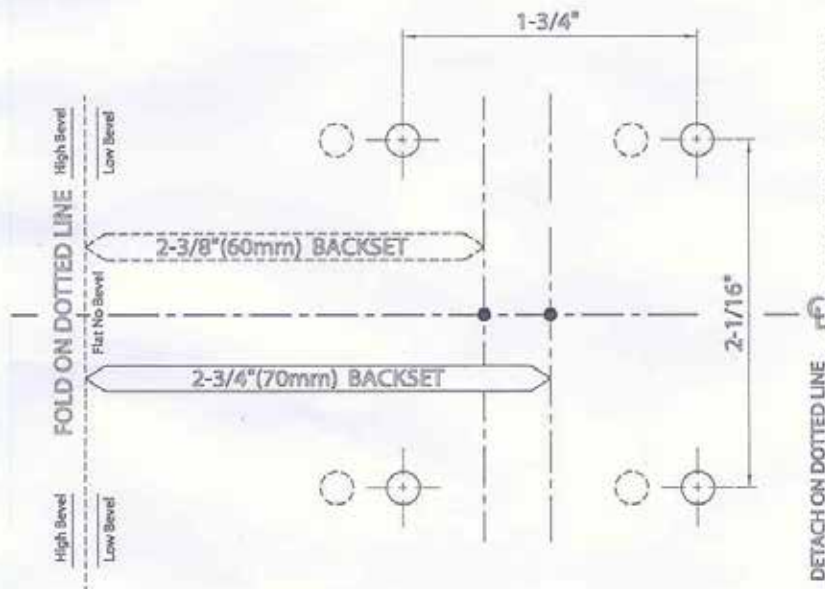
1



2

1. Install Chassis at proper position on the door by provided four Mounting Screws.
2. Align Rose Insert with Chassis and assemble it by two screws as shown on diagram.
3. Fit the Rose to Rose Insert to fix it.
4. Push the handle until clicked align with Chassis.

3



Not to Scale

The use of non-clutching impact drivers to install this hardware will automatically void the warranty.