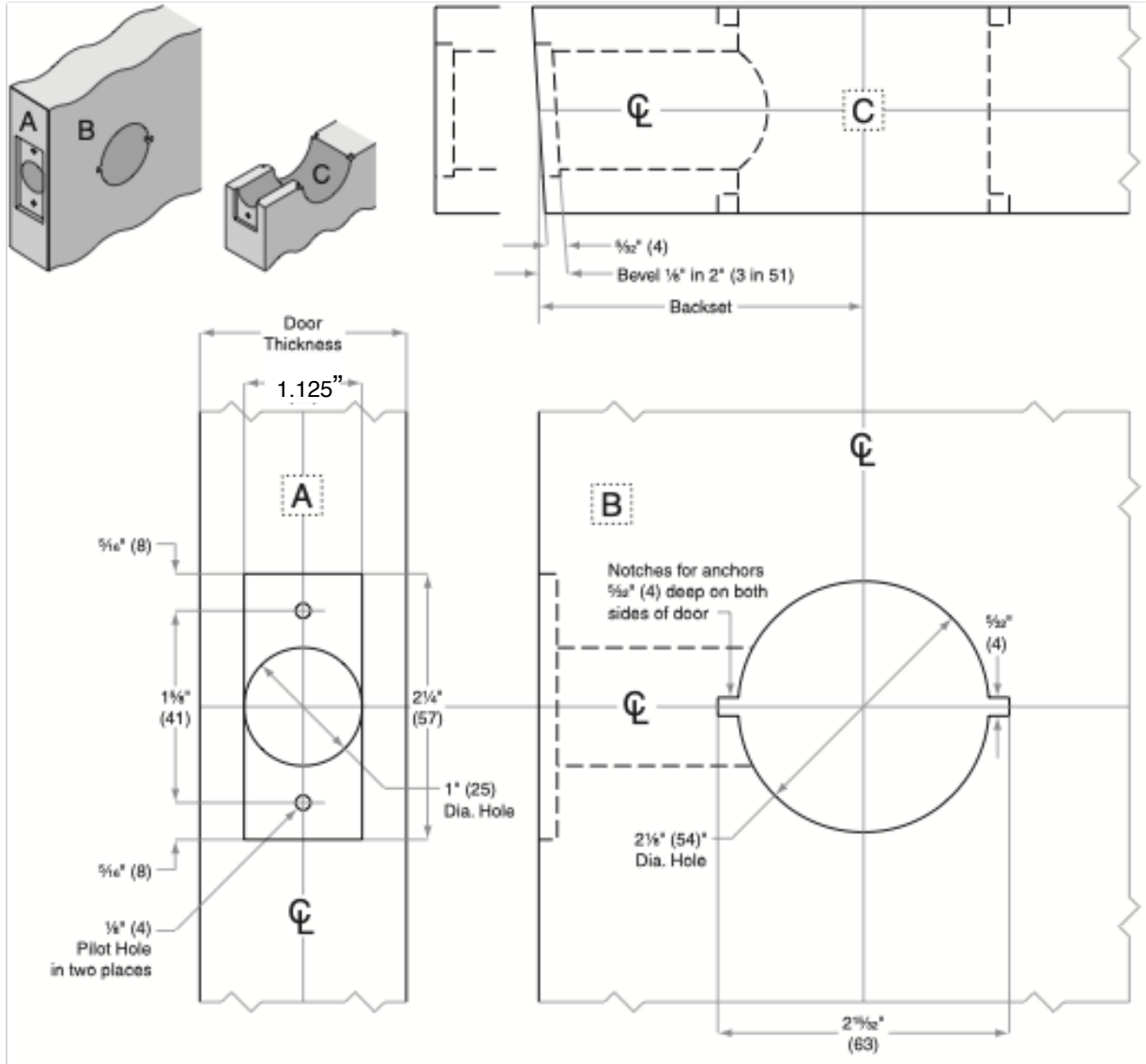
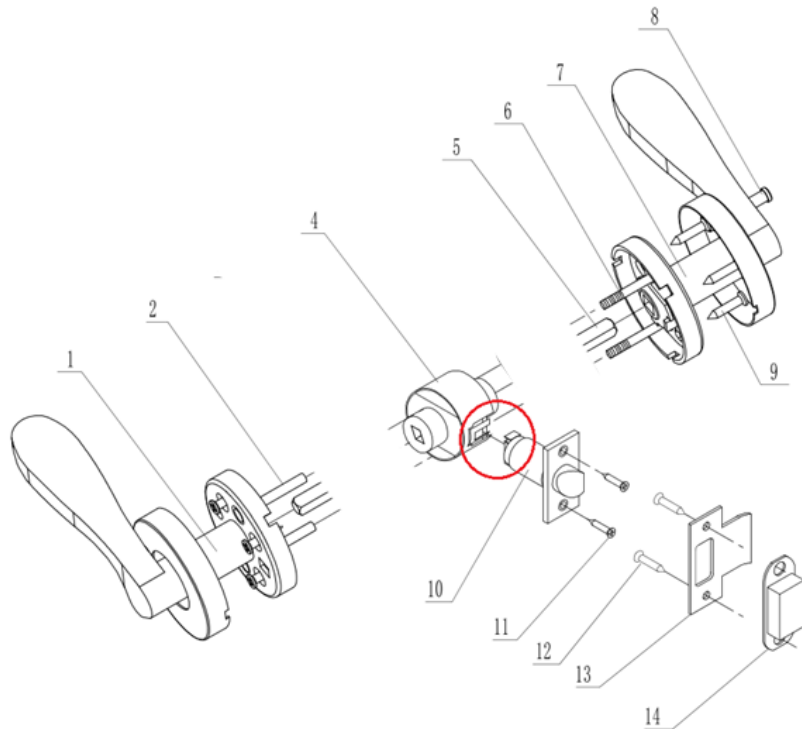


## LH5300T install and prep



# LAWRENCE® HARDWARE INC.



Step 1: install latch bolt in edge of door once this is attached to door remove small clip from tail piece to allow connection to latch bolt.(do not remove clip before latch bolt is installed in door)

Step 2: install chassis into door and attach to latch bolt, be sure latch bolt is fully engaged with chassis.

Step 3: install spindles into chassis, they will click into the chassis

Step 4: through bolt levers through the chassis, make sure these bolts are tight.

Step 5: snap outer rose onto under rose.

Step 6: install strike, make sure the strike is aligned with latch bolt.