

Not to Scale

The use of non-clutching impact drivers to install this hardware will automatically void the warranty.

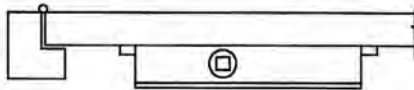
INSTALLATION SEQUENCE

LEFT HAND DOOR SHOWN- RIGHT HAND DOOR OPPOSITE

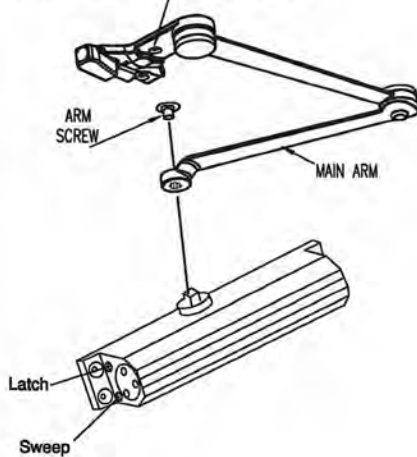


INSTALLATION INSTRUCTIONS

1. Using template dimensions shown above. Mark FOUR (4) HOLES ON DOOR for door closer and FOUR (4) HOLES ON FRAME for parallel bracket.
2. Mount closer on door using screws provided. SPEED ADJUSTING VALVE MUST BE POSITIONED AWAY FROM HINGE EDGE
3. Adjusting spring power to match door width or weight as indicated by Power Adjustment Chart shown as below chart.
4. Mount closer on door to dimensions shown on page 1



Use the fifth hole screw and spacer only if there is a space between the frame and the shoe.



IMPORTANT REMARKS

Do NOT allow door to slam into frame.
 A normal standard closing time from 90° open position is 5 to 7 seconds evenly divided between main closing (Sweep) speed and latching speed. Adjust the SWEEP speed first, then adjust the LATCHING speed.
 For slower closing speed of door, turn adjusting valve of "S" clockwise and counter clockwise for faster speed.
 Latching speed control of door is the same manner as Sweep speed adjustment.

ADJUSTABLE BACKCHECK FUNCTION

This function is essential to proper operation of HEAVY DUTY ARM W/ DEAD STOP. Use enough to prevent arm from striking stop with impact. See page 1.

ATTACH COVER (if packed)

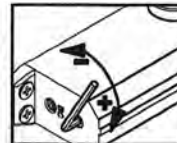
Install cover securely using screws provided.

Measure and determine your door's width. Using a hex wrench, adjust the closer spring power. Use the table below to determine number of turns required.

Turn counterclockwise for "-"; turn clockwise for "+"

- ① These turns are recommended, but may change due to door weight and environmental conditions.

Door Width	Number of Turns
ADA setting	-12
32"-815mm	-6
36"-915mm	0
42"-1050mm	+6
48"-1220mm	+13



Not to Scale

The use of non-clutching impact drivers to install this hardware will automatically void the warranty.

Spring CUSH (SCUSH)

Spring CUSH arms (SCUSH) have specific instructions for mounting the SCUSH shoe. Otherwise, SCUSH arms install like a regular CUSH arm.

▲IMPORTANT▲

DO NOT reduce the closer's backcheck setting! Spring CUSH arm function does not replace backcheck.

1 Locating

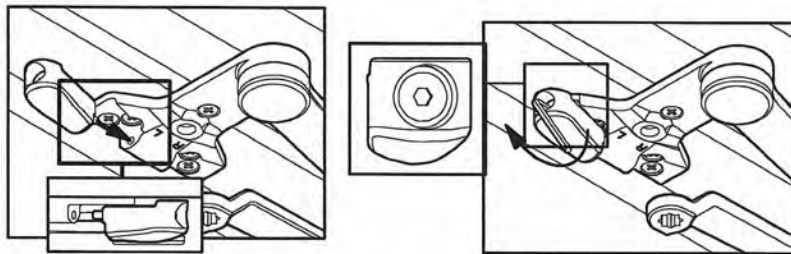
In new installations, use the standard CUSH template. When replacing an existing CUSH arm, use the existing mounting holes.

2 Installation

- a. Mount the shoe onto the frame.
- b. Use a 5/32" or 4mm hex wrench to install the contact block assembly, as shown below. Make sure the screw is tightened securely into the shoe.

3 Completing installation

- i Left Hand (LH) shown. Right Hand (RH) opposite.



Not to Scale

The use of non-clutching impact drivers to install this hardware will automatically void the warranty.