

Installation Procedure:

- Determine** the direction of slider based on door width, from 24" ~ 48" for 1 3/4" ~ 2 1/4" Butts & 3/4" Offset Pivot, select proper dimensions as shown on Table 1; from 29" ~ 48" for 1 3/4" ~ 2 1/4" Center Hung, as shown on Table 2.
- Determine** desired degree of door opening as shown on Table 1 & Table 2 respectively.

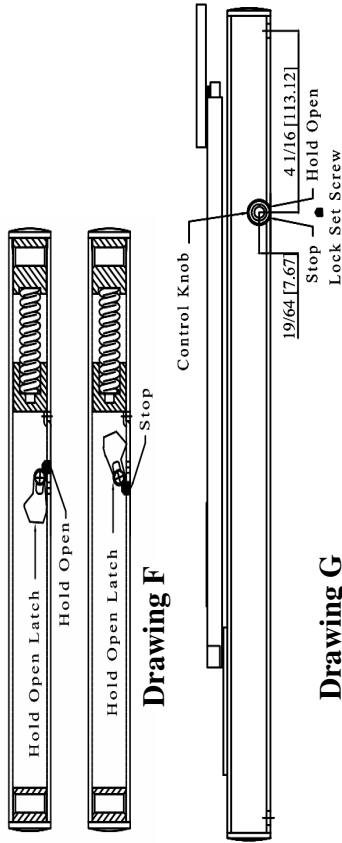
Table 1 :

Door Width (Inches)	Opening Degree	For All degrees						85°			90°			95°			100°			105°			110°					
		A	E	B	C	D	L	B	C	D	L	B	C	D	L	B	C	D	L	B	C	D	L	B	C	D	L	
		Inches	Inches	Inches	Inches	Inches	Inches	Inches	Inches	Inches	Inches	Inches	Inches	Inches	Inches	Inches	Inches	Inches	Inches	Inches	Inches	Inches	Inches	Inches	Inches	Inches	Inches	
24	Inches	3 1/4	19 5/16	7 3/32	6 3/4	5 15/16	3 13/16	41 6/64	6 5/64	15 5/16	3 13/16	21 7/32	6 23/32	5 15/16	5 13/32	27 6/64	5 5/16	5 13/32	5 13/32	31 31/32	27 6/64	5 5/16	5 13/32	25 6/64	4 55/64	17 29/64	3 14/8	
		mm	82.50	490.55	202.45	187.15	389.65	335.00	171.65	170.30	375.70	335.00	168.75	154.20	388.95	335.00	165.05	152.50	403.70	355.00	163.00	134.90	422.45	355.00	162.25	123.30	443.30	365.00
		Inches	3 3/4	19 5/16	7 3/32	6 3/4	5 15/16	3 13/16	41 6/64	6 5/64	15 5/16	3 13/16	21 7/32	6 23/32	5 15/16	5 13/32	27 6/64	5 5/16	5 13/32	5 13/32	31 31/32	27 6/64	5 5/16	5 13/32	25 6/64	4 55/64	17 29/64	3 14/8
25	mm	95.20	490.55	202.45	187.15	389.65	335.00	171.65	170.30	375.70	335.00	168.75	154.20	388.95	335.00	165.05	152.50	403.70	355.00	163.00	134.90	422.45	355.00	162.25	123.30	443.30	365.00	
		Inches	4 3/4	19 5/16	7 3/32	6 3/4	5 15/16	3 13/16	41 6/64	6 5/64	15 5/16	3 13/16	21 7/32	6 23/32	5 15/16	5 13/32	27 6/64	5 5/16	5 13/32	5 13/32	31 31/32	27 6/64	5 5/16	5 13/32	25 6/64	4 55/64	17 29/64	3 14/8
		Inches	4 3/4	19 5/16	7 3/32	6 3/4	5 15/16	3 13/16	41 6/64	6 5/64	15 5/16	3 13/16	21 7/32	6 23/32	5 15/16	5 13/32	27 6/64	5 5/16	5 13/32	5 13/32	31 31/32	27 6/64	5 5/16	5 13/32	25 6/64	4 55/64	17 29/64	3 14/8
26 ~ 28	mm	120.60	490.55	199.10	197.75	395.70	355.00	187.85	186.50	405.70	365.00	179.65	178.30	415.70	375.00	173.95	172.60	425.70	385.00	170.30	167.40	437.30	395.00	151.50	139.85	446.00	395.00	
		Inches	6 3/4	19 5/16	7 3/32	6 3/4	5 15/16	3 13/16	41 6/64	6 5/64	15 5/16	3 13/16	21 7/32	6 23/32	5 15/16	5 13/32	27 6/64	5 5/16	5 13/32	5 13/32	31 31/32	27 6/64	5 5/16	5 13/32	25 6/64	4 55/64	17 29/64	3 14/8
		Inches	6 3/4	19 5/16	7 3/32	6 3/4	5 15/16	3 13/16	41 6/64	6 5/64	15 5/16	3 13/16	21 7/32	6 23/32	5 15/16	5 13/32	27 6/64	5 5/16	5 13/32	5 13/32	31 31/32	27 6/64	5 5/16	5 13/32	25 6/64	4 55/64	17 29/64	3 14/8
29 ~ 33	mm	171.40	490.55	186.65	185.30	435.70	395.00	173.05	171.70	445.70	405.00	163.85	162.50	455.70	415.00	157.95	156.60	465.70	425.00	154.55	153.20	475.70	435.00	153.00	151.65	485.70	445.00	
		Inches	9 1/4	19 5/16	7 3/32	6 3/4	5 15/16	3 13/16	41 6/64	6 5/64	15 5/16	3 13/16	21 7/32	6 23/32	5 15/16	5 13/32	27 6/64	5 5/16	5 13/32	5 13/32	31 31/32	27 6/64	5 5/16	5 13/32	25 6/64	4 55/64	17 29/64	3 14/8
		Inches	9 1/4	19 5/16	7 3/32	6 3/4	5 15/16	3 13/16	41 6/64	6 5/64	15 5/16	3 13/16	21 7/32	6 23/32	5 15/16	5 13/32	27 6/64	5 5/16	5 13/32	5 13/32	31 31/32	27 6/64	5 5/16	5 13/32	25 6/64	4 55/64	17 29/64	3 14/8
34 ~ 38	mm	234.90	490.55	200.60	199.25	435.70	395.00	186.40	185.05	445.70	405.00	176.30	174.95	455.70	415.00	169.45	168.10	465.70	425.00	165.15	163.80	475.70	435.00	144.95	143.60	475.70	435.00	
		Inches	11 3/4	19 5/16	6 15/16	6 15/16	5 15/16	3 13/16	41 6/64	6 5/64	15 5/16	3 13/16	21 7/32	6 23/32	5 15/16	5 13/32	27 6/64	5 5/16	5 13/32	5 13/32	31 31/32	27 6/64	5 5/16	5 13/32	25 6/64	4 55/64	17 29/64	3 14/8
		Inches	11 3/4	19 5/16	6 15/16	6 15/16	5 15/16	3 13/16	41 6/64	6 5/64	15 5/16	3 13/16	21 7/32	6 23/32	5 15/16	5 13/32	27 6/64	5 5/16	5 13/32	5 13/32	31 31/32	27 6/64	5 5/16	5 13/32	25 6/64	4 55/64	17 29/64	3 14/8
39 ~ 43	mm	298.40	490.55	176.40	175.05	485.70	445.00	160.35	159.00	495.70	455.00	150.50	149.15	505.70	465.00	144.85	143.50	515.70	475.00	142.00	140.65	525.70	485.00	121.15	119.80	525.70	485.00	
		Inches	14 1/4	19 5/16	8 6/64	8 6/64	7 21/8	20 3/32	7 17/32	7 15/32	22 6/64	20 6/64	6 33/64	6 33/64	7 15/32	7 15/32	6 6/64	6 6/64	7 15/32	7 15/32	6 6/64	6 6/64	7 15/32	7 15/32	6 6/64	6 6/64	7 15/32	7 15/32
		Inches	14 1/4	19 5/16	8 6/64	8 6/64	7 21/8	20 3/32	7 17/32	7 15/32	22 6/64	20 6/64	6 33/64	6 33/64	7 15/32	7 15/32	6 6/64	6 6/64	7 15/32	7 15/32	6 6/64	6 6/64	7 15/32	7 15/32	6 6/64	6 6/64	7 15/32	7 15/32
44 ~ 48	mm	361.90	490.55	214.70	213.35	555.70	515.00	191.20	189.90	565.70	525.00	175.55	174.20	575.70	535.00	165.50	164.15	585.70	545.00	159.35	158.00	595.70	555.00	136.15	134.80	595.70	555.00	
		Inches	14 1/4	19 5/16	8 6/64	8 6/64	7 21/8	20 3/32	7 17/32	7 15/32	22 6/64	20 6/64	6 33/64	6 33/64	7 15/32	7 15/32	6 6/64	6 6/64	7 15/32	7 15/32	6 6/64	6 6/64	7 15/32	7 15/32	6 6/64	6 6/64	7 15/32	7 15/32
		Inches	14 1/4	19 5/16	8 6/64	8 6/64	7 21/8	20 3/32	7 17/32	7 15/32	22 6/64	20 6/64	6 33/64	6 33/64	7 15/32	7 15/32	6 6/64	6 6/64	7 15/32	7 15/32	6 6/64	6 6/64	7 15/32	7 15/32	6 6/64	6 6/64	7 15/32	7 15/32

Table 2 :

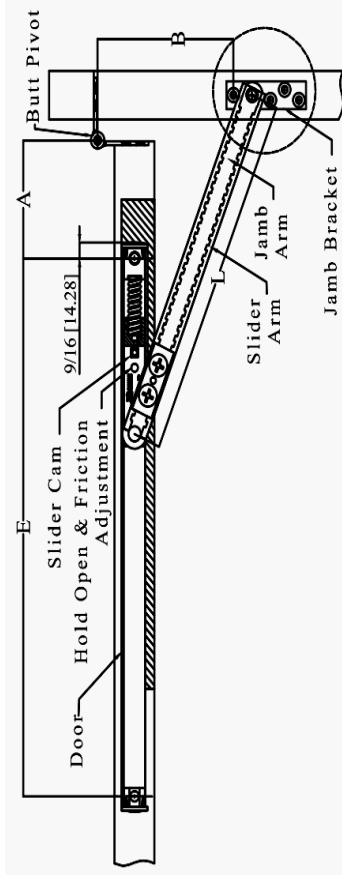
Door Width (Inches)	Opening Degree	For All degrees						85°			90°			95°			100°			105°			110°					
		A	E	B	C	D	L	B	C	D	L	B	C	D	L	B	C	D	L	B	C	D	L	B	C	D	L	
		Inches	Inches	Inches	Inches	Inches	Inches	Inches	Inches	Inches	Inches	Inches	Inches	Inches	Inches	Inches	Inches	Inches	Inches	Inches	Inches	Inches	Inches	Inches	Inches	Inches	Inches	
29 ~ 33	Inches	6 19/64	20 6/64	8 5/64	8 3/32	1 16/32	23 14/64	29 6/32	6 27/32	16 23/64	14 23/64	49 6/64	39 6/64	35 6/64	49 16/64	5 15/32	25 6/64	21 17/32	5 15/32	15 35/64	15 15/64	3 17/64	6 3/16	15 15/64	6 5/32	3 17/16	11 11/32	
		mm	160.00	490.35	205.10	203.80	415.70	375.00	175.25	173.90	415.70	375.00	167.70	166.35	425.70	385.00	162.25	160.90	435.70	395.00	158.50	157.20	445.70	405.00	156.20	154.85	455.70	415.00
		Inches	10 1/4	19 5/16	8 3/32	8 3/32	1 17/32	23 14/64	29 6/32	6 27/32	16 23/64	14 23/64	49 6/64	39 6/64	35 6/64	49 16/64	5 15/32	25 6/64	21 17/32	5 15/32	15 35/64	15 15/64	3 17/64	6 3/16	15 15/64	6 5/32	3 17/16	11 11/32
34 ~ 38	mm	260.00	490.55	215.00	213.65	445.70	405.00	201.40	200.05	455.70	415.00	190.95	189.60	465.70	425.00	183.05	181.70	475.70	435.00	177.30	175.95	485.70	445.00	173.25	171.90	495.70	455.00	
		Inches	13 25/64	19 5/16	8 11/16	8 3/32	1 20/32	23 14/64	29 6/32	6 27/32	16 23/64	14 23/64	49 6/64	39 6/64	35 6/64	49 16/64	5 15/32	25 6/64	21 17/32	5 15/32	15 35/64	15 15/64	3 17/64	6 3/16	15 15/64	6 5/32	3 17/16	11 11/32
		Inches	13 25/64	19 5/16	8 11/16	8 3/32	1 20/32	23 14/64	29 6/32	6 27/32	16 23/64	14 23/64	49 6/64	39 6/64	35 6/64	49 16/64	5 15/32	25 6/64	21 17/32	5 15/32	15 35/64	15 15/64	3 17/64	6 3/16	15 15/64	6 5/32	3 17/16	11 11/32
39 ~ 43	mm	340.00	490.55	220.95	219.60	515.70	475.00	202.55	201.25	525.70	485.00	208.35	207.00	545.00	505.00	196.85	195.50	555.70	515.00	188.25	186.95	565.70	525.00	182.05	180.75	575.70	535.00	
		Inches	14 49/64	19 5/16	8 21/32	8 3/32	1 19/32	23 14/64	29 6/32	6 47/64	11 17/64	10 17/64	43 8/64	33 8/64	43 8/64	21 1/16	39 7/64	35 7/64	23 1/16	21 1/16	7 1/4	7 1/4	8 29/64	8 29/64	7 63/64	6 15/16	27 27/32	1 22/4
		Inches	14 49/64	19 5/16	8 21/32	8 3/32	1 19/32	23 14/64	29 6/32	6 47/64	11 17/64	10 17/64	43 8/64	33 8/64	43 8/64	21 1/16	39 7/64	35 7/64	23 1/16	21 1/16	7 1/4	7 1/4	8 29/64	8 29/64	7 63/64	6 15/16	27 27/32	1 22/4
44 ~ 48	mm	375.00	490.55	219.70	218.35	545.70	505.00	221.95	220.60	565.70	525.00	205.40	204.10	575.70	535.00	193.10	191.75	585.70	545.00	184.05	182.70	595.70	555.00	177.60	176.25	605.70	565.00	
		Inches	14 49/64	19 5/16	8 21/32	8 3/32	1 19/32	23 14/64	29 6/32	6 47/64	11 17/64	10 17/64	43 8/64	33 8/64	43 8/64	21 1/16	39 7/64	35 7/64	23 1/16	21 1/16	7 1/4	7 1/4	8 29/64	8 29/64	7 63/64	6 15/16	27 27/32	1 22/4
		Inches	14 49/64	19 5/16	8 21/32	8 3/32	1 19/32	23 14/64	29 6/32	6 47/64	11 17/64	10 17/64	43 8/64	33 8/64	43 8/64	21 1/16	39 7/64	35 7/64	23 1/16	21 1/16	7 1/4	7 1/4	8 29/64	8 29/64	7 63/64	6 15/16	27 27/32	1 22/4

3. Determine "Hold open" or "Stop" function by turning Hold Open Latch. Turn Hold Open Latch toward Spring to "Stop" function and farthest away from Spring to convert to "Hold Open" as shown on drawing F.
 Tighten set screw as shown on drawing G.



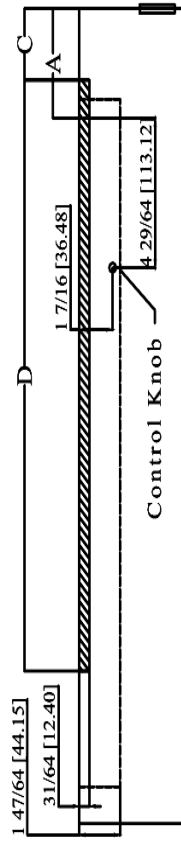
Drawing G

5. Locate "A" & "E" dimensions on centerline of door as shown on drawing I, and mortise 1 47/64" (44.15) deep for channel 1/16" (1.59) head clearance as shown on drawing J. Coordinate the arm and rail cutout dimensions if head clearance varies.



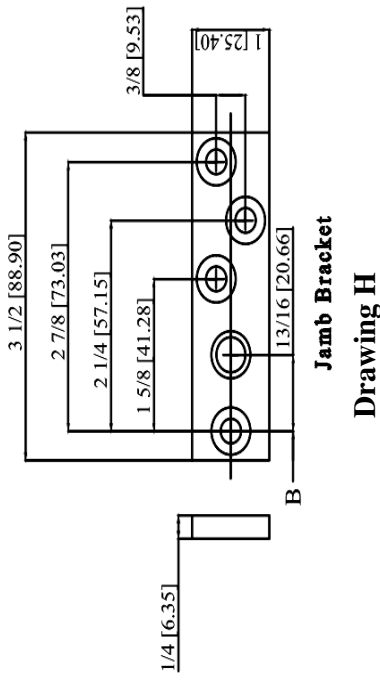
Drawing I

6. Drill 1/2" (12.70) diameter control knob hole for door holders only.
 7. Locate "C" & "D" dimensions on top of door and mortise 31/64" (12.40) deep as shown on drawing K for arm cutout.
 8. Install door stop or holder with screws provided, then, install control knob.



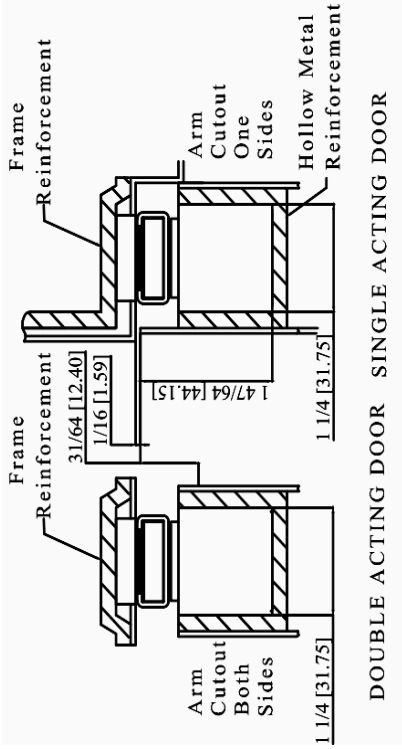
Drawing K

4. Locate "B" dimensions on frame and mortise 1/4" (6.35) deep for jamb bracket as shown on drawing H.



Drawing H

4. Locate "A" & "E" dimensions on centerline of door as shown on drawing I, and mortise 1 47/64" (44.15) deep for channel 1/16" (1.59) head clearance as shown on drawing J. Coordinate the arm and rail cutout dimensions if head clearance varies.



Drawing J

DOUBLE ACTING DOOR SINGLE ACTING DOOR

Note:

- All hollow metal frames are to be provided with 3/16" (4.8) min. thickness X 12" (304.80) min length reinforcement plates.
- All hollow metal doors are to be properly reinforced as shown.
- "A", "B" & "C" dimensions are measured from centerline of pivot, not edge of door.
- Reversible, no-handed.
- All dimensions without showing unit are given in Inches [mm].
- Hold open and friction are not permitted for use on fire doors.
- When used as hold open should be with door closer together, then UL listed is applicable.