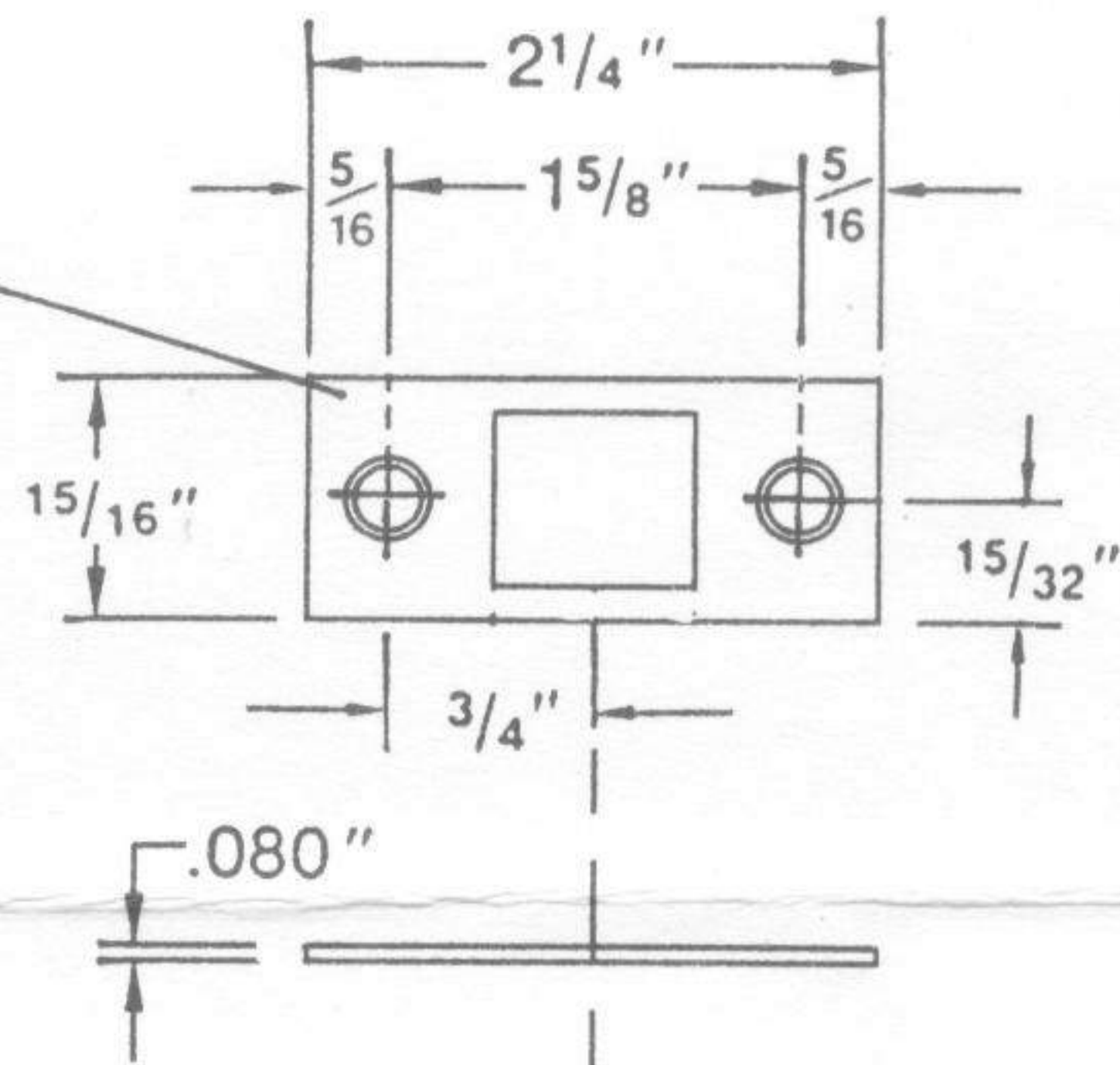


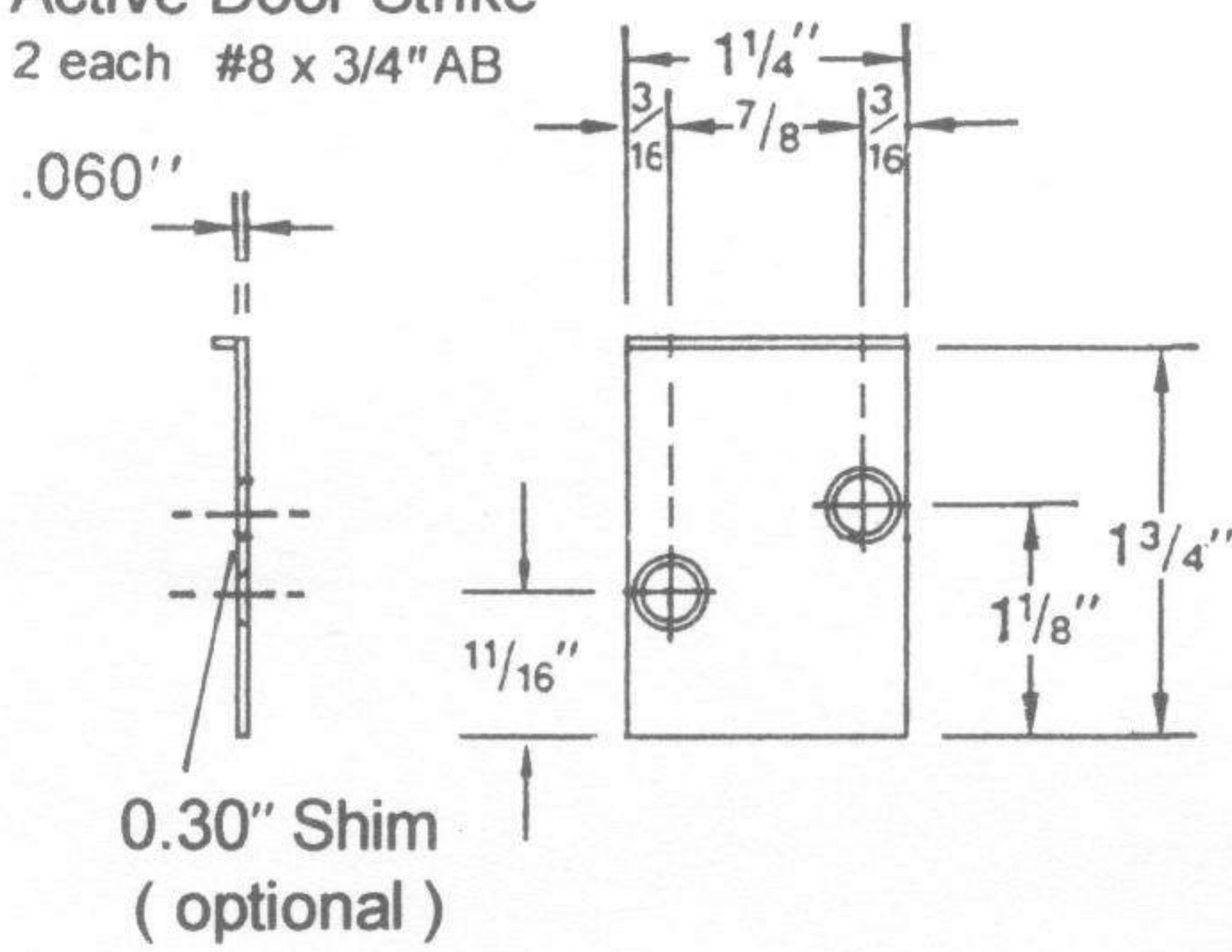
AUTOMATIC FLUSH BOLTS (FOR WOOD DOORS APPLICATION)

Frame & Sill Strike
2 each #8 x 3/4" AB

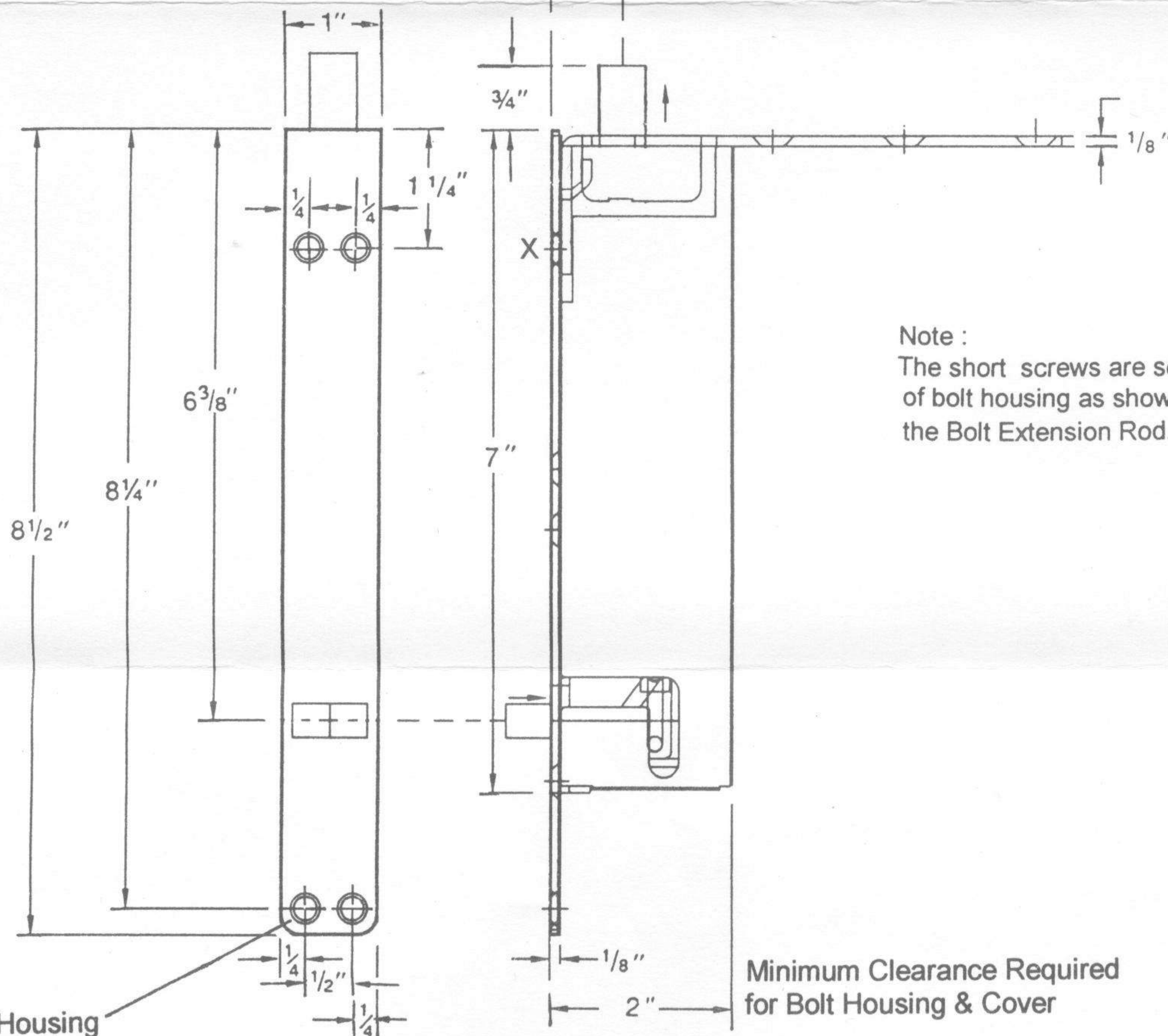
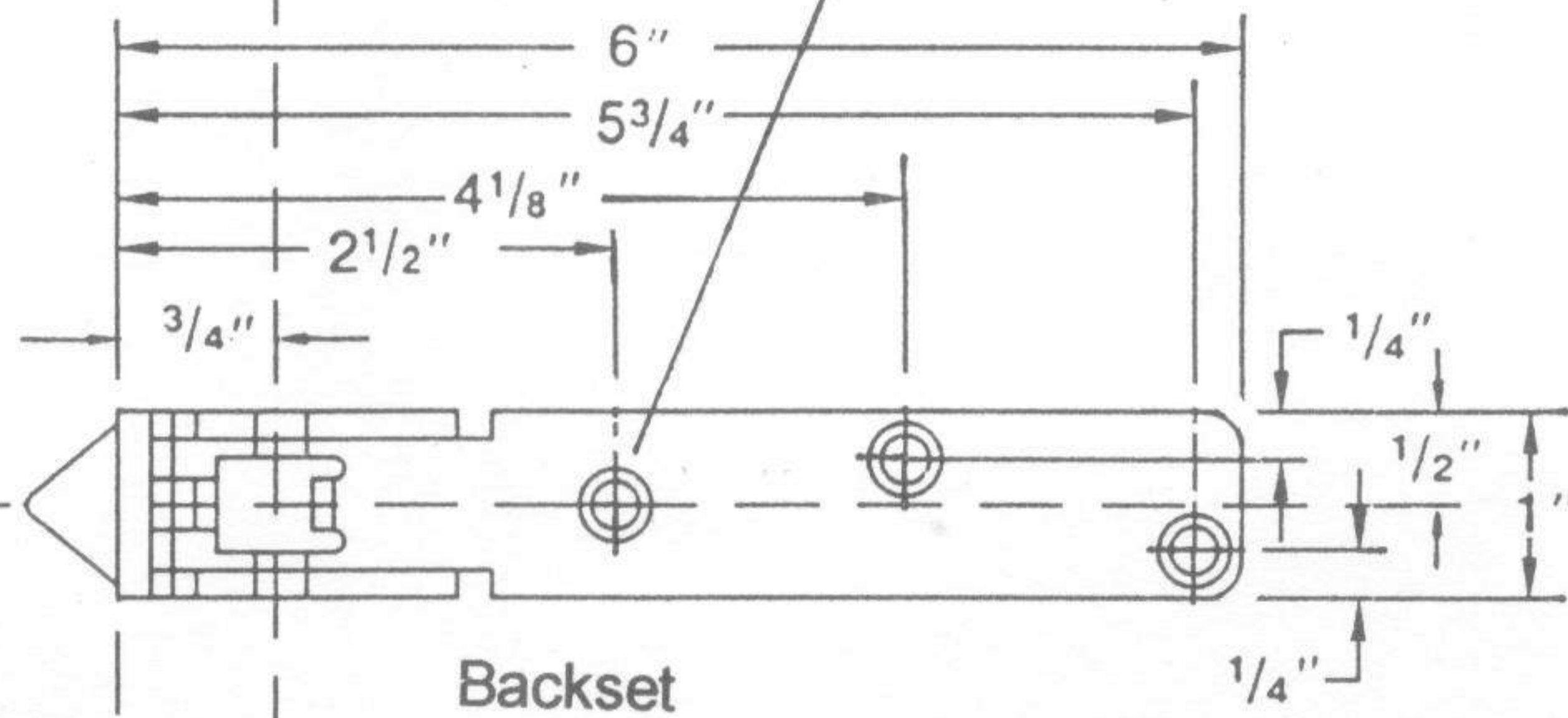


DIMENSIONS SHOWN ON THIS TEMPLATE ARE FOR TOP FLUSH BOLTS. FOR BOTTOM BOLTS INVERT AND MEASURE FROM EDGE OF DOOR.

Active Door Strike
2 each #8 x 3/4" AB



Top & Bottom Bolt Hd. Guide
3 each #10 x 1" AB



Bolt Housing
2 each #8 x 3/4" AB
2 each #8-32 x 1/4" UNC (Note)

Minimum Clearance Required for Bolt Housing & Cover

Note :
The short screws are seated into the holes of bolt housing as shown mark X, where faces the Bolt Extension Rod.

SCREW DETAILS : #8-32 x 1/4" UNC - flat countersunk head machine screw, total 2 pcs.
#8 x 3/4" AB - undercut flat countersunk head, dual purpose machine/tapping screw, total 6 pcs.
#10 x 1" AB - flat countersunk head tapping screw, total 3 pcs.