

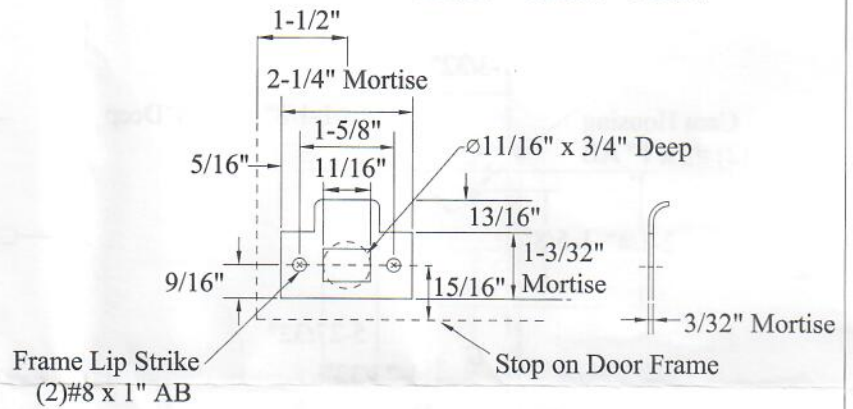
Combination Flush Bolt

Model No.: FB780

FB780 = FB710 + FB810

TOP BOLT SHOWN

The top bolt shown here is self latching flush bolt, model no. FB710

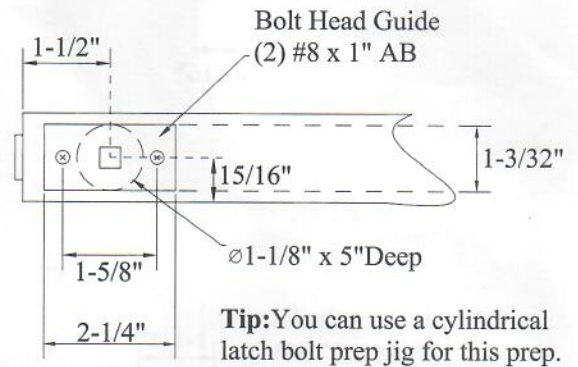


For door preparation:

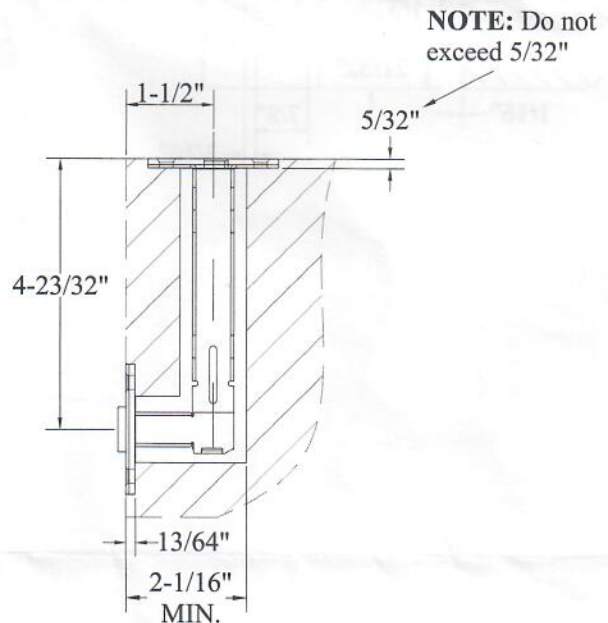
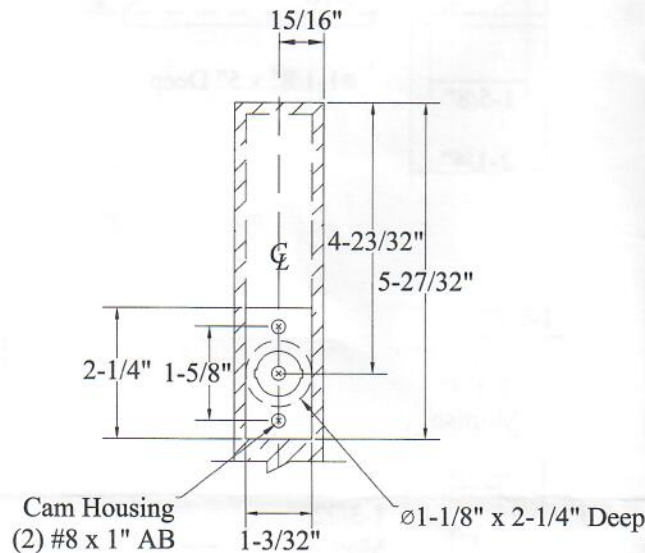
The flush bolts are intended for use with classified hollow-metal steel stiffened doors rated up to and including 3 hours; wood/plastic-covered composite doors rated up to and including 1-1/2 hours; and wood core doors rated 20 minutes.

For applications of more than 1-1/2 hours, hollow-metal steel stiffened doors shall be provided with an overlapping astragal.

INACTIVE DOOR



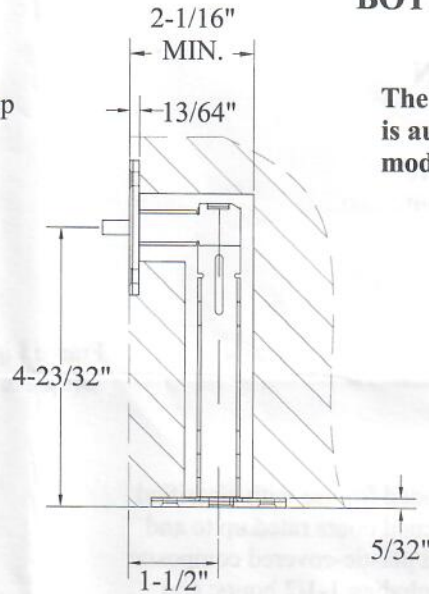
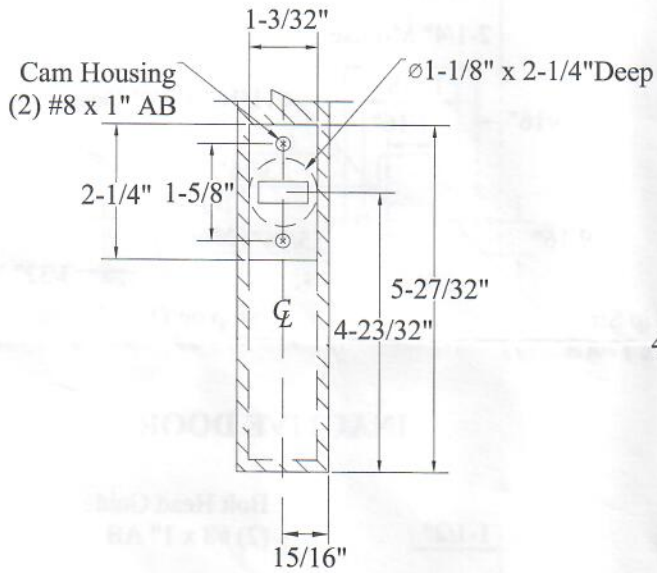
Tip: You can use a cylindrical latch bolt prep jig for this prep.



NOTE: When two point engaging with latching action is required, it is recommended that one constant self latching flush bolt be used with one automatic flush bolt. Self latching flush bolt should be installed at top of door.

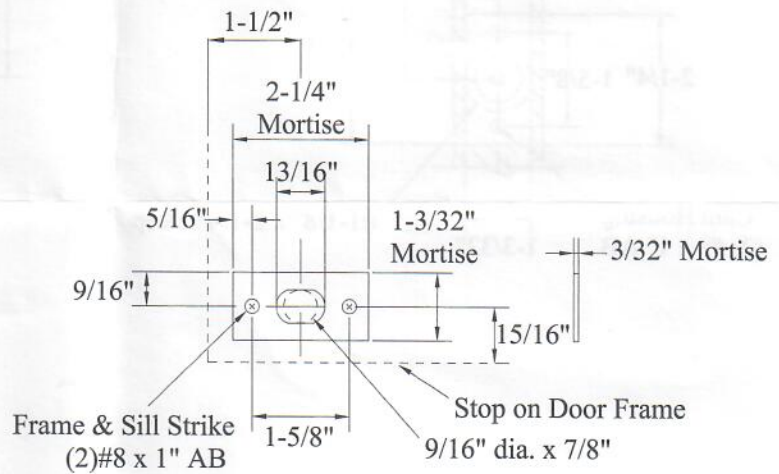
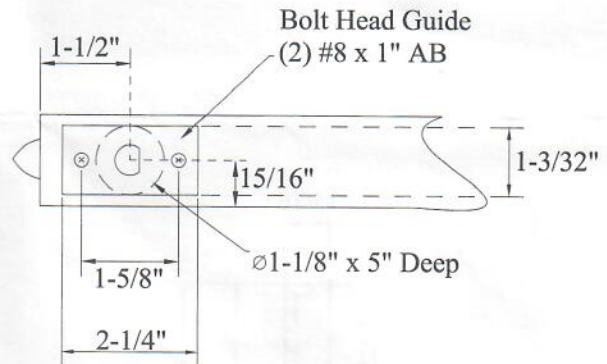
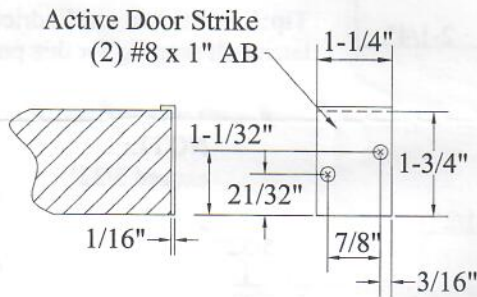
Not To Scale

BOTTOM BOLT SHOWN



The bottom bolt shown here is automatic flush bolt, model no. FB810

INACTIVE DOOR



NON-HANDED FOR INACTIVE DOOR

Not To Scale

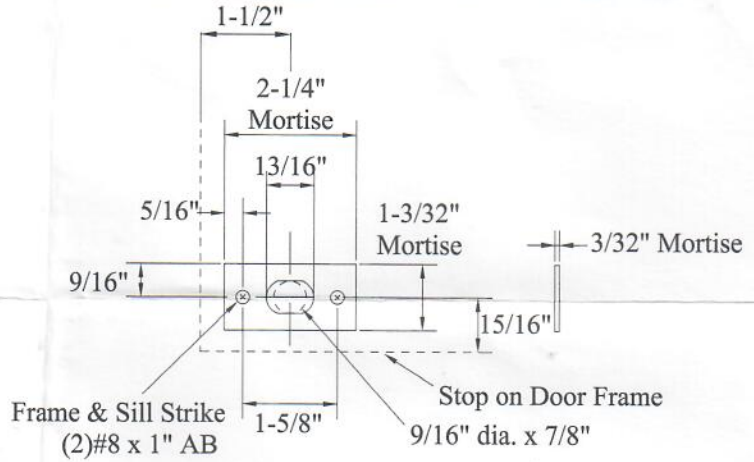
FB810 = Single Bolt
FB820 = Set of Bolts

For door preparation:

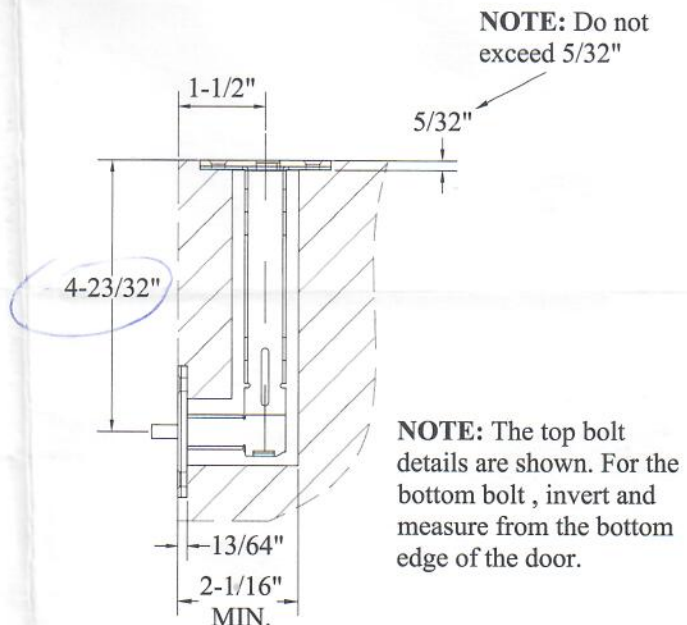
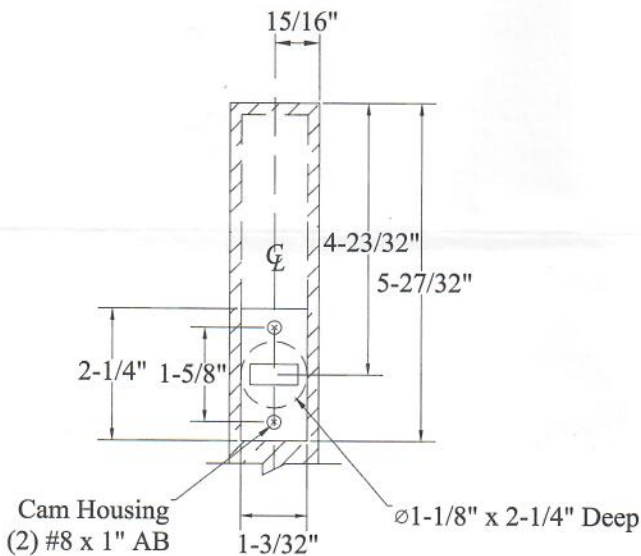
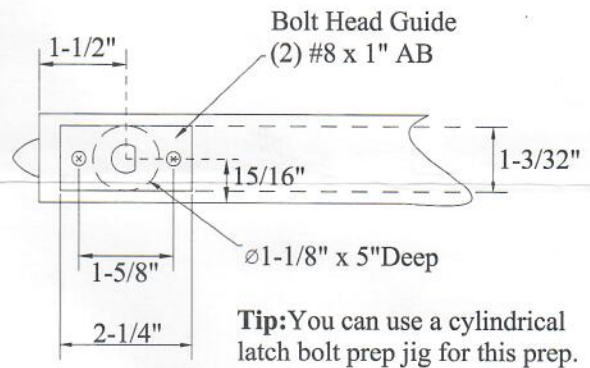
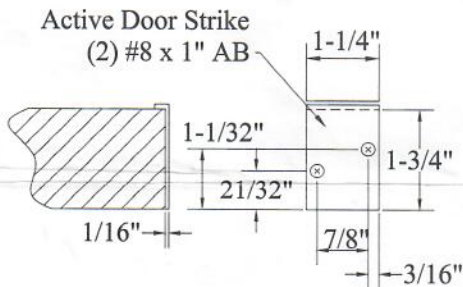
The flush bolts are intended for use with classified hollow-metal steel stiffened doors rated up to and including 3 hours; wood/plastic-covered composite doors rated up to and including 1-1/2 hours; and wood core doors rated 20 minutes.

For applications of more than 1-1/2 hours, hollow-metal steel stiffened doors shall be provided with an overlapping astragal.

NON-HANDED FOR INACTIVE DOOR



INACTIVE DOOR



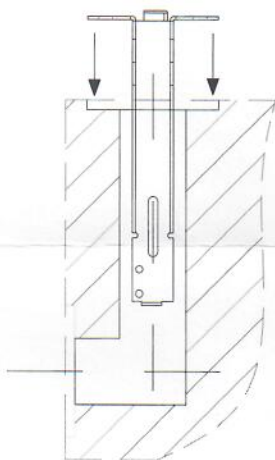
Tip: You can use a cylindrical latch bolt prep jig for this prep

FLUSH BOLT INSTALLATION INSTRUCTIONS

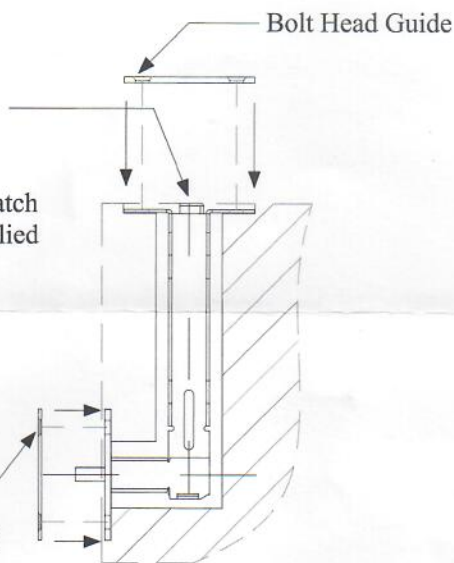
The flush bolts are intended for use with classified hollow-metal steel stiffened doors rated up to and including 3 hours; wood/plastic-covered composite doors rated up to and including 1-1/2 hours; and wood core doors rated 20 minutes. For applications of more than 1-1/2 hours, hollow-metal steel stiffened doors shall be provided with an overlapping astragal.

1. Put Latch Bolt Housing into its hole vertically.

DO NOT SECURE



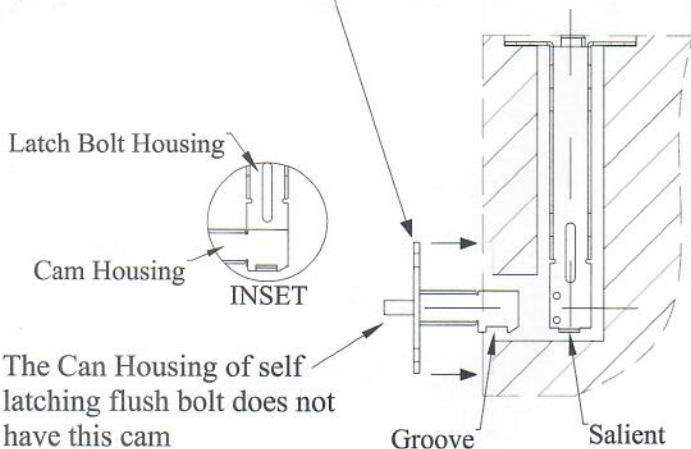
3. Adjust Bolt Head from 0" to 1/16" above Bolt Head Guide. Secure Bolt Head Guide and Latch Bolt Housing with supplied two mounting screws.



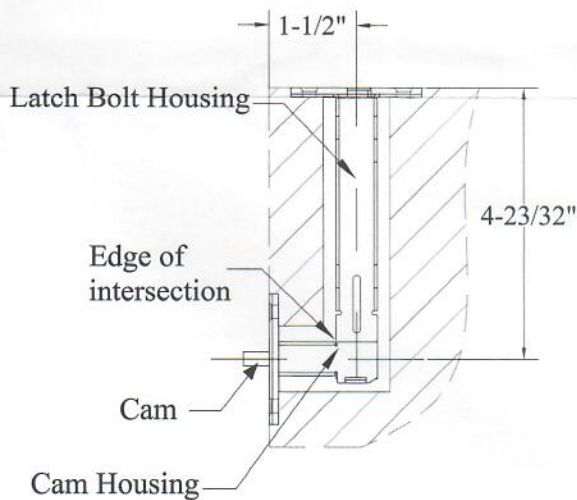
4. Install Cover Plate over Cam Housing and secure with supplied two mounting screws.

Note: The dimension details of the automatic flush bolt or self latching flush bolt, see another attachment.

2. Put Cam housing into hole horizontally. Have both grooves on the Cam Housing inset on the salients on Latch Bolt Housing. Check latch bolt engagement prior to fully installing by gently twisting cam Housing. If it rotates, it is not engaged into the Bolt Housing.



Note: If prepped holes are not perpendicular cam housing may bind. Break edge of the intersection of the 2 holes or file the edge of the vertical hold to ensure the noted dimension.



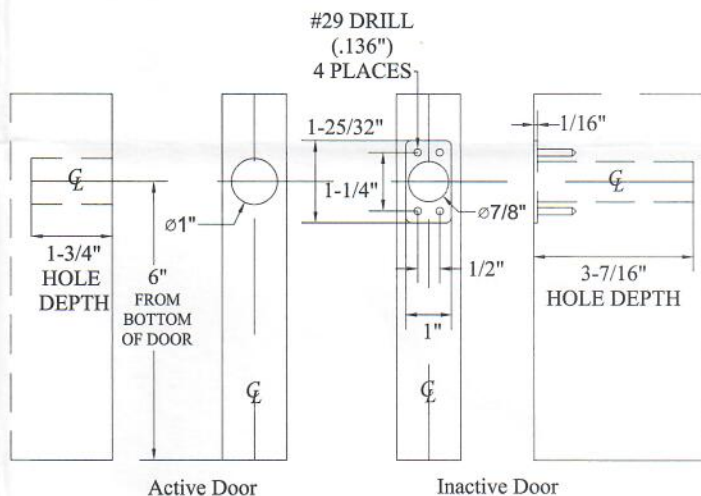
BOTTOM FIRE BOLT INSTALLATION (used with the automatic flush bolt)

Inactive Door

1. Measure 6" from bottom of the inactive Door.
2. Drill a 7/8" dia. x 3-7/16" deep hole for Fire Bolt.
3. Install Fire Bolt by striking squarely with a hammer.

Active Door

1. Drill a 1" dia. x 1-3/4" deep hole for plug at the same height as the Fire Bolt.
2. Install plug in door by striking with a hummer.



IMPORTANT: The Fire Bolt will project during a fire. Do not cover with any edge mounted door hardware.