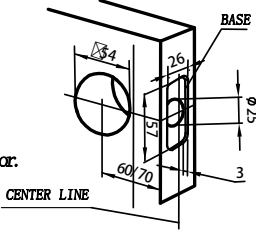
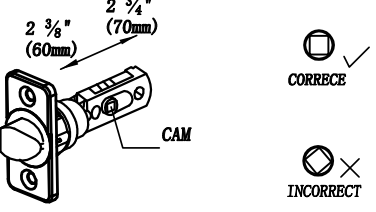
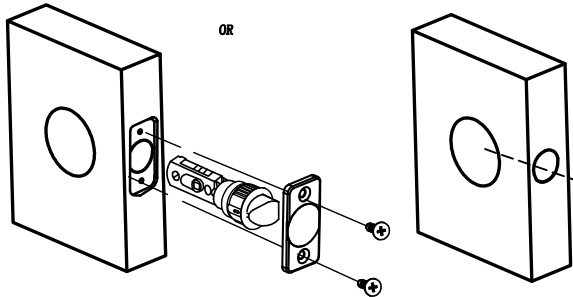
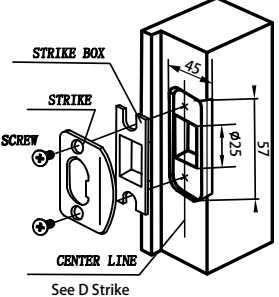
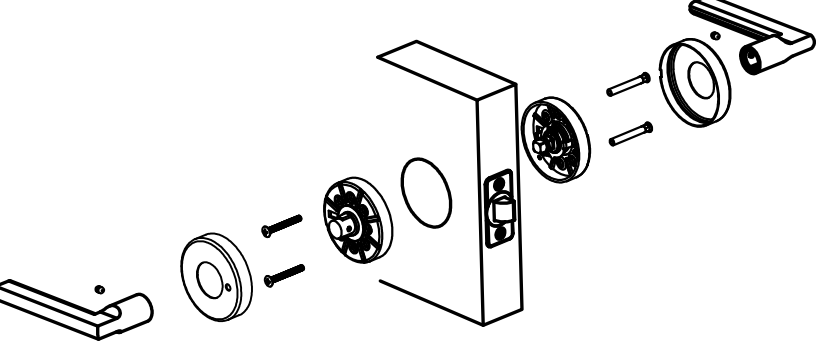
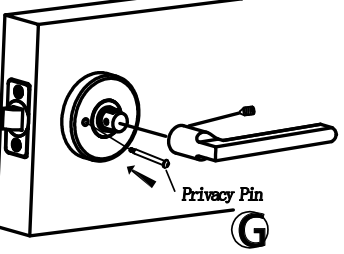


WARNING: Accurate door preparation is essential for the functioning of this lock. Please follow the enclosed template and instructions carefully.

1. MARK DOOR&BORE HOLES	PRIVACY LATCHBOLT HANDING INSTRUCTIONS
<p>* mark site 60mm (2 3/8") or 70mm (2 3/4") offholes.</p> <p>** Bore Ø54mm (2 1/8") and Ø25mm (1") holes through door.</p>  <p>See RC Plate</p>	 <p>The cam is pushed fully to the right 70mm backset. (During the adjustment, keeping two teeth of the cam to forward always.)</p>

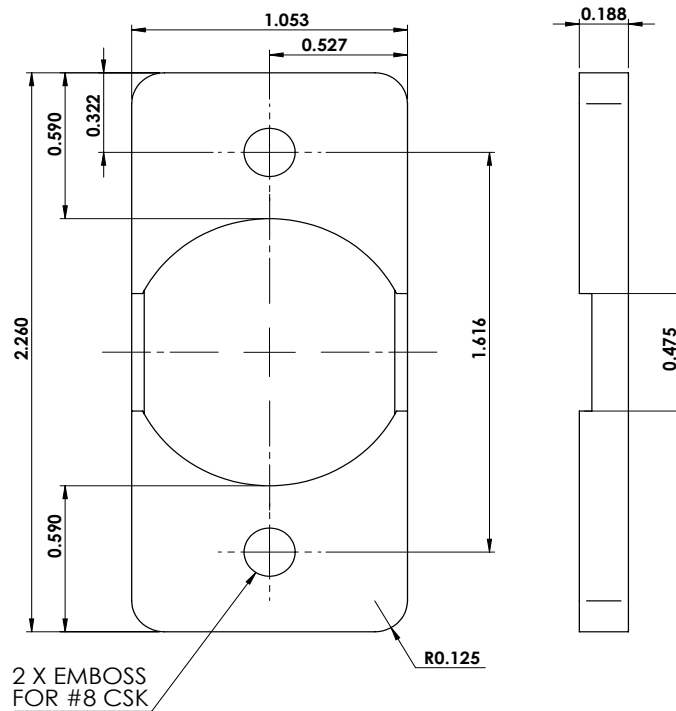
2. INSTALL LATCH	3. PREPARE JAMB AND INSTALL STRIKE
 <p>OR</p>	<p>A. insert latch into hole. Trace around face plate. B. chisel out wood until faceplate fits flush with door edge. C. fasten latch to door and make sure bevel of latchbolt faces jamb.</p>  <p>See D Strike</p>

4. INSTALL LEVERS	5. ATTACH PRIVACY PIN
	 <p>G. screw in privacy pin for privacy sets.</p>

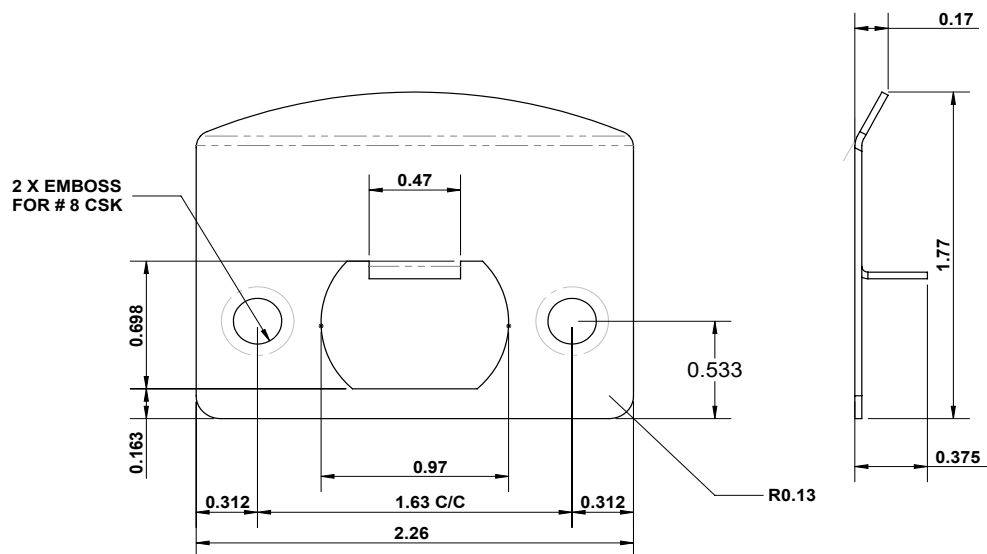
Not to Scale

The use of non-clutching impact drivers to install this hardware will automatically void the warranty.

RC PLATE



D STIKE



Not to Scale

The use of non-clutching impact drivers to install this hardware will automatically void the warranty.