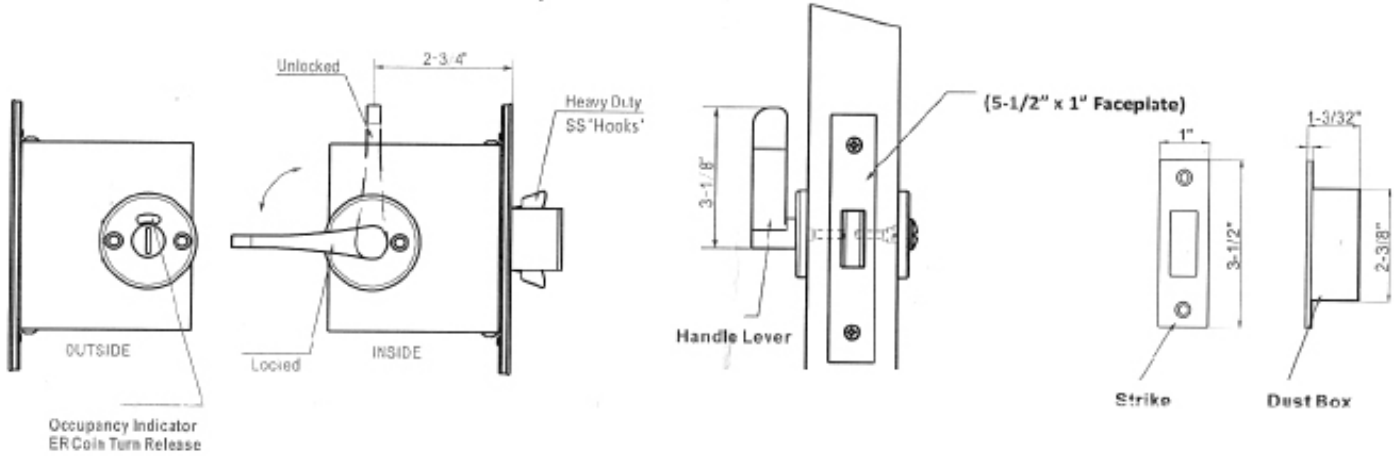


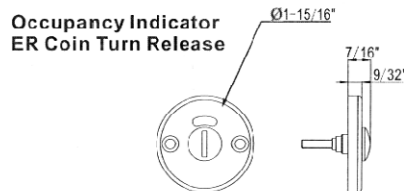
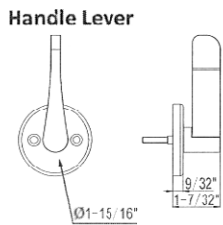
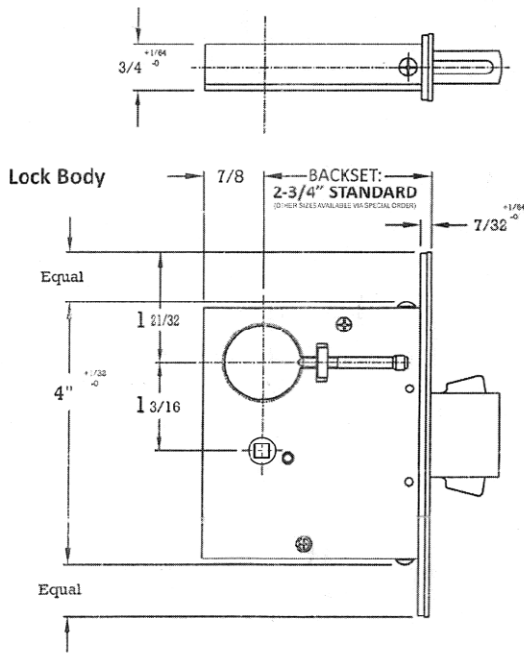
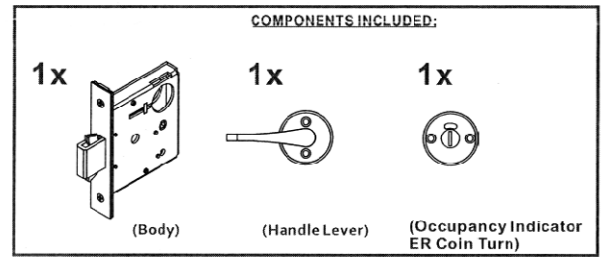
SUITABLE FOR 1-3/4" THICK DOORS ONLY



### PRODUCT DETAILS

#### SPECIFICATIONS:

CASE: Heavy Gauge Wrought  
 ARMOR FRONT: Brass, Bronze, Stainless  
 DEAD BOLT: 1/2" Thick x 1-7/32" High x 1" Throw  
 THUMB TURN HUB: 3/16"



Not to Scale

The use of non-clutching impact drivers to install this hardware will automatically void the warranty.