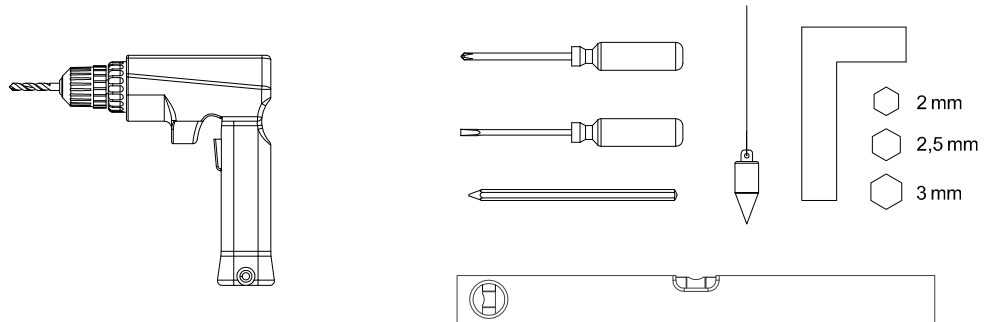


- . Up To 100kg Door Weight
- . For 35~45mm Thickness Wooden Door
- . Door Width : 730~1100mm
- . Door Height : <2300mm

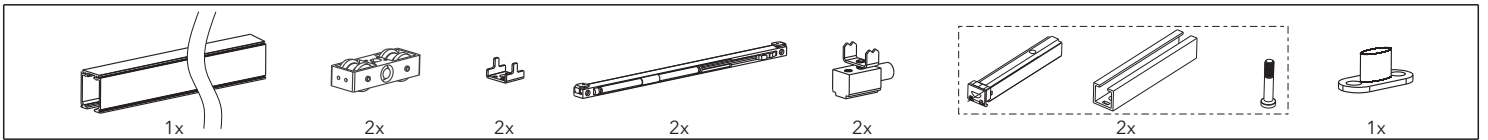
Installing Tools



Not to Scale

The use of non-clutching impact drivers to install this hardware will automatically void the warranty.

SDS-U01A Installation Instruction For Wood Door Option 4



1 Installation of track rail

make sure that the track rail is installed in a horizontal position

2 Installation of track roller

3 Installation of soft close

Open statu

Open statu

4 Installation of door stop

position it over any place ,then adjust it by closing

5 Installation of the smart box and track roller

outside

outside

6 Installation of the doors

door cutting (both sides)

158

25

12mm

12mm

7 Installation of the smart box on the door

Push in...

Click!!!

There will be a click after the smart box is pushed inside, showing that it is installed correctly and precisely

Installation of pull out the smart box

a. open and priss down the flexible cover

b. press down the flexible cover and at the same time pull it out

8 Adjustment and fastening of door

close

open

5mm

up

down

When adjust the lifer, lifting up the door properly can help save more time and labour

9 Installation of door guide

Door Cutting

9mm

15mm

5mm

10 Adjustment and fixation of soft close

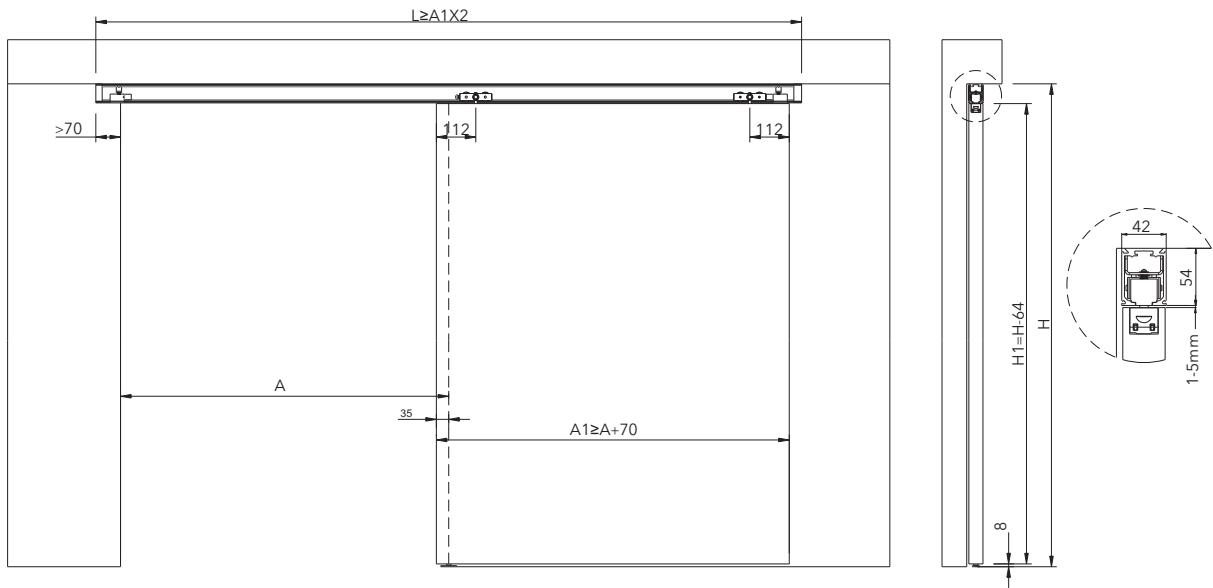
fasten the soft close after confirm the position of door

11 Adjustment and fixation of door stop

Move the door, then fasten the door stop both ends

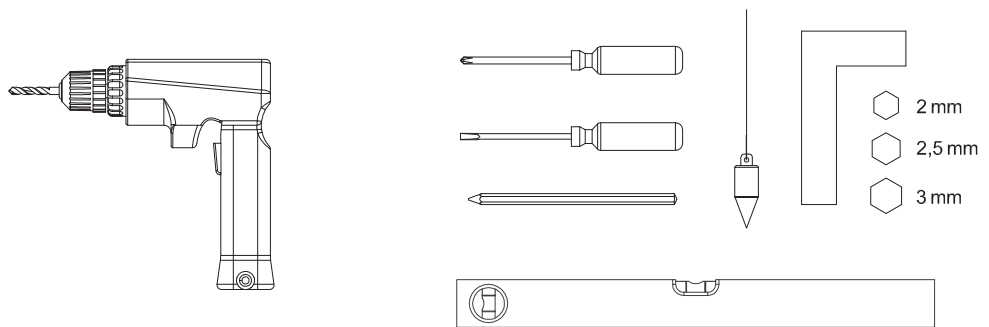
In order to prolong the soft close's service life, pre-limit the door stop 2-3mm in front of the ultimate reset position of the soft close.

SDS-U01A For Wood Door Option 5 without soft closing feature

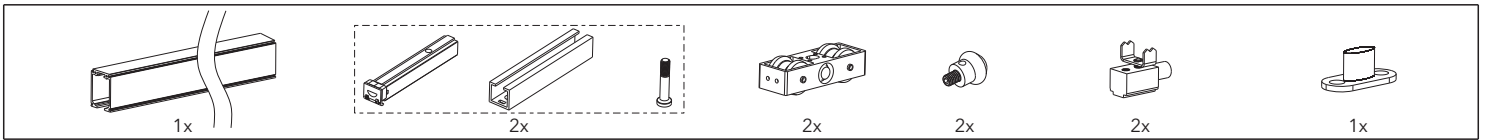


- . Up To 100kg Door Weight
- . For 35~45mm Thickness Wooden Door
- . Door Width : 730~1100mm
- . Door Height : <2300mm

Installing Tools



SDS-U01A Installation Instruction For Wood Door Option 5



1 Installation of track rail

make sure that the track rail is installed in a horizontal position

7 Installation of the smart box on the door

Click!!!

There will be a click after the smart box is pushed inside, showing that it is installed correctly and precisely

2 Installation of track roller

outside

Installation of pull out the smart box

Click!!!

Pull it out...

a. open and press down the flexible cover

b. press down the flexible cover and at the same time pull out it

3 Installation of door stop

position it over any place, then adjust it by closing

8 Adjustment and fastening of door

close

open

5mm

down

up

When adjust the lifter, lifting up the door properly can help save more time and labour

4 Installation of the smart box and track roller

outside

9 Installation of door guide

9

15

9mm

15mm

5mm

Door Cutting

5 Installation of the doors

door cutting (both sides)

158

25

12mm

12mm

10 Adjustment and fixation of door stop

Rock

Move the door, then fasten the door stop both ends

In order to prolong the soft close's service life, pre-limit the door stop 2-3mm in front of the ultimate reset position of the soft close.

6 Installation of the smart box on the door

Push in...

Click!!!

There will be a click after the smart box is pushed inside, showing that it is installed correctly and precisely