



LAWRENCE[®]
HARDWARE

COMMERCIAL HARDWARE CATALOGUE 2026



How To Use Our Catalogue?

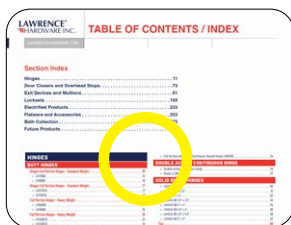
Overview

Our PDF Catalogue is smart and interactive. We implemented a dynamic table of contents, which allows you to jump to your desired product or section. You can use the PDF on your desktop, laptop, tablet and mobile device.



Step 1

Use the index and table of contents on page 2 to locate the section or product you want to explore.



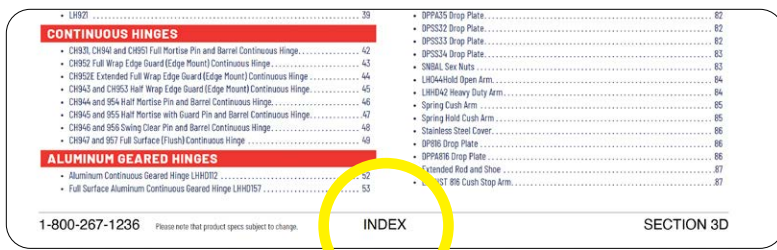
Step 2

Click on the name of the item and it takes you automatically on that page.



Step 3

Click the "INDEX" in the footer section to take you back to the master index and table of contents.



Section Index

Hinges 13
Door Closers and Overhead Stops 41
Exit Devices and Mullions 59
Locksets 137
Electrified Products 197
Flatware and Accessories 213

How To Use Our Catalogue? 2
 Quality BUILDERS' Hardware Since 1876 7

HINGES

BUTT HINGES

Hinges Full Mortise Hinges - Standard Weight 14
 • LH179BB 14
 • LH191BB 14
Hinges Full Mortise Hinges - Standard Weight 15
 • LH1379CB 15
 • LH1391CB 15
Full Mortise Hinges - Heavy Weight 16
 • LH168BB 16
 • LH199BB 16
Full Mortise Hinges - Heavy Weight 17
 • LH1368CB 17
 • LH1399CB 17
Full Mortise Hinges - Standard Weight - Economy Hinge 18
Full Mortise Hinges - Standard Weight - Spring Hinge 18
 • LH603BB 18
 • LH606SH 18
Options 19
 • None Removeable Pin (NRP) 19
 • Electric Through Wire (ETW) 19
Options 20
 • Plug in Connector (PIC) 20
 • Radius Corner (RC) 20
Options 21
 • Hospital Tip (HT) 21
 • Fire Rated (cUL Marked) 21
Hinge Specification Guide 23
Hinge Requirements for Fire Doors 27
Hinges for Fire Doors 30

3D ADJUSTABLE HINGE

3D Adjustable Concealed Hinge 33
 • LH-AH01 33
 • LH-AH02 33
 • LH-AH03 34
 • LH-AH05 35

DOOR CLOSERS AND OVERHEAD STOPS

DOOR CLOSERS

• LH303 39
 • LH503BC/LH534BC 39
 • LH5016 40
 • LH816BCDA 40
 • LH8016BCDA 41
 • ARM41 Hold Open Arm 42
 • CSA40 Cush Stop Arm 42
 • DPPA35 Drop Plate 43
 • DPSS32 Drop Plate 43
 • DPSS33 Drop Plate 43
 • DPSS34 Drop Plate 44
 • SNBAL Sex Nuts 44
 • LH044 Hold Open Arm 45
 • LHHD42 Heavy Duty Arm 45
 • Spring Cush Arm 46
 • Spring Hold Cush Arm 46
 • Stainless Steel Cover 47
 • DP816 Drop Plate 47
 • DPPA816 Drop Plate 47
 • Extended Rod and Shoe 48
 • LHCHST 816 Cush Stop Arm 48
 • LHCHSTHD 816 Cush Stop Hold Arm 49
 • LHHA816 Hold Open Arm 49
 • LH816 Track Arm (Pull Side Only) 50
 • 800 Series Stainless Steel Cover 50
LH6900S and 6900C Overhead Stops 51
 • LH6900S (Surface Mounting) 51
Fully Concealed Door Closer 51
 • LHDH30 51
 • LH6900C (Concealed Mounting) 51

EXIT DEVICES AND MULLIONS

EXIT DEVICES 8000 SERIES

Exit Device Applications 56

- 8500 Series (Narrow Stile) 57
- 8600 Series (Wide Stile) 57
- 8700 Series (Narrow Stile) 58
- 8800 Series (Wide Stile) 58

Rim Exit Devices 59

- 8610S (smooth)/8810S (grooved) 59
- 8610F (smooth)/8810F (grooved) 59

Mortise Lock Exit Devices 61

- 8620S (smooth)/8820S (grooved) 61
- 8620F (smooth)/8820F (grooved) 61

Surface Vertical Rod Exit Devices (SVR) 63

- 8630S (smooth)/8830S (grooved) 63
- 8630F (smooth)/8830F (grooved) 63

Concealed Vertical Rod Exit Devices (CVR) 65

- 8650S (smooth)/8850S (grooved) 65
- 8650F (smooth)/8850F (grooved) 65

LH8860S/LH8860F 3 Point Latching 67

Narrow Rim Exit Devices 69

- 8510S (smooth)/8710S (grooved) 69
- 8510F (smooth)/8710F (grooved) 69

Narrow Surface Vertical Rod Exit Devices (SVR) 71

- 8530S (smooth)/8730S (grooved) 71
- 8530F (smooth)/8730F (grooved) 71

Narrow Concealed Vertical Rod Exit Devices (CVR) 73

- 8550S (smooth)/8750S (grooved) 73
- 8550F (smooth)/8750F (grooved) 73

Wide Stile Device Length 8600/8800 Series 75

Sex Nuts and Bolts (SNB) 76

- 618 76
- 623 76
- 630 76
- Accessories Shim Kits 8000 Series 77

Rim Strikes 78

- Mullion Strikes 78
- 801 78
- 688 78
- 802 78
- 689 78

Vertical Rod Strikes 79

- TOP STRIKES SVR 79
- BOTTOM STRIKES (FLOOR STRIKES) 79
- 812 79
- 813 79
- 815 79
- 822 79
- 823 79
- 825 79

Mortise Strikes 80

- STANDARD LIP 80
- SHORT LIP 80

Double Door Strike (Sold separately) 80

- 720 80
- 818 80
- 831 80
- 828 80
- 832 80

Model 83L Escutcheon Levers (Flat Top Escutcheon) For 8500/8700 Series (Narrow Stile) 82

Model 88L and 88E Series Escutcheon Levers (Flat Top & Bottom Escutcheon) 83

Model 89L and 89E Series Escutcheon Levers (Radius Top & Bottom Escutcheon) 84

Model 88L / 89L and 88E / 89E Series Escutcheon Levers 85

- Optional Lever Designs 85
- 01 Standard 85
- 02 85

Model 88L / 89L and 88E / 89E Series Escutcheon Levers 86

- Optional Lever Designs 86
- 05 86
- 17 86

Model 87P & 87E Series Pull Plates (Radius Top and Bottom Plate) 87

Model 86P and 86E Series Pull Plates (Flat Top and Bottom Plate) 88

Model 85P Series Pull Plates (Narrow, Radius Top and Bottom Plate) 90

Model 84P Series Pull Plates (Narrow, Flat Top & Bottom Plate) 91

Model SF801 Series Levers with Round Roses 92

Model 7200 Fire-Rated Keyed Removable Mullion 93

Mullion Brackets 94

- 752F Top 94

Strikes (Sold Separately) 94

- 688 94
- 755F (bottom) 94
- 689 94

Fire Latch Bolt (FLO01) 95

Dogging options 96

- Less Dogging (LD) 96
- Cylinder Dogging (CD) 96

Cylinder Options 97

Mortise Cylinder 97

- Standard Type 97
- Interchangeable Core (SFIC) 97
- Small Format Interchangeable Core (SFIC) 97

Rim Cylinder 97

- Standard Type 97
- Interchangeable Core (SFIC) 97
- LARGE FORMAT Interchangeable Core (LFIC) 97

Vandal Resistant Trim 98

Vandal Resistant Trim with Latchguard 99

EXIT DEVICES 5000 SERIES

5000 Series Economy Exit Devices 101

- Exit Device Applications 101
- 5000 Series Economy Exit Devices 101

5000 Series Economy Exit Devices 102

- 5510S Wide Stile Design Panic Rim Exit Device (Shown) 102
- 5510F Wide Stile Design Fire Rim Exit Device 102
- 5530S Wide Stile Design Panic SVR Exit Device (Shown) 102
- 5530F Wide Stile Design Fire SVR Exit Device 102
- 5610S Narrow Stile Design Panic Rim Exit Device 103
- 5630S Narrow Stile Design Panic SVR Exit Device 103

5500 Series Economy Exit Devices 104

- 5510S Wide Stile Design Panic Rim Exit Device - For Wide Stile and flush doors 104
- 5510F Wide Stile Design Fire Rim Exit Device - For Wide Stile Fire labelled doors 104

Strikes 104

- 531 Strike Shim 104
- 532 Panic Rim Strike 105
- 533 Fire Rim Strike 105

5500 Series Economy Exit Devices 106

- 5530S Wide Stile Design Panic SVR Exit Device - For Wide Stile and flush doors 106
- 5530F Wide Stile Design Fire SVR Exit Device - For Wide Stile Fire labelled doors* 106

Strikes 106

- 534 Top Strike 106
- 537 Bottom Strike 106

5500 Series Device Length 108

- Short 36" 108
- Long 48" 108

5600 Series Devices 109

- Model 5610S Panic-Rated Rim Exit Device - For Narrow Stile Exit Door Use 109

Strikes 109

- 531 Strike Shim 109
- 532 Panic Rim Strike 109
- Model 5630S Panic-Rated SVR Exit Device - For Narrow Stile Exit Door Use 111

Strikes 111

- 534 Top Strike 111
- 537 Bottom Strike 111

- Part Names 5000 Series 113
- Model 58L Series Escutcheon Levers 114
- Optional Lever Designs 115
- Model 57P SERIES PULL PLATES (FLAT TOP AND BOTTOM PLATE)..... 116**
 - Model 52R Series Raised Lip Style Pull Plates 117
 - Model 53L Series Levers with Round Roses 118
- Rim Strike 119**
 - 531 119
 - 532 119
 - 533 119
- Vertical Rod Strike 120**
 - 534 Top Strike 120
 - 537 Bottom Strike 120
- Double Door Strike (Sold Separately) 121**
 - 5000 Series Shim Kits 121
 - 710 121
 - 5000 Series Double Door Applications 122
 - 5530F Series LBR 123
 - Fire Latch Bolt (FLO01) 123
- Cylinder Options 124**
- Mortise Cylinder 124**
 - Standard Type 124
 - Interchangeable Core (SFIC) 124
 - Small Format Interchangeable Core (SFIC) 124
- Rim Cylinder 124**
 - Standard Type 124
 - Interchangeable Core (SFIC) 124
 - LARGE FORMAT Interchangeable Core (LFIC) 124

LOCKSETS

LOCKSETS 500 SERIES

- 560 Series 128**
- Series Deadlock 128**
 - 560 128
 - 560N 128
- 560 Series Standard Functions 129**
 - 500 Series Standard Lock Functions 129
- LH 560 Series Square Deadbolt 130**
 - LH 560 S (Square) 130
 - LH571 131
 - Indicator Deadbolt 131

LOCKSETS 2000 SERIES

- 2000 Series Tubular 133**
- 2000 Series Functions 134**
 - Non Keyed 134
 - 2000 Series Standard Lock Functions 134
 - 002 Houston SQ C15 135
 - 156 Winnipeg C15 135
 - 136 Muna C15 135
 - 126 Stella C19 135
 - 423 Miro C15 135
 - 167 Vancouver C15 135
 - 119 Logan SQ C19 135

LOCKSETS 3000 SERIES

- 3000 Series Tubular 137**
- 3000 Series Designer Lever Designs 138**
 - 101 MATISSE* 138
 - 113 DALI* 138
 - 119 LOGAN 138
 - 102 PICASSO* 138
 - 116 MONDRIAN* 138
 - 126 STELLA 138
 - 136 MUNA 139
 - 204 WAVE 139
 - 420 BELLA* 139
 - 422 SERRA 139
 - 167 VANCOUVER 139
 - 208 AQUIS* 139
 - 423 MIRO 139
 - 156 Winnipeg 139
- 3000 Series Functions 140**
 - Non Keyed 140
 - 3000 Series Standard Lock Functions 140

LOCKSETS 4700 SERIES

- 4700 Series Small Case Mortise Lock 142**
- 4700 Series Standard Functions 143**
 - 4700 Series Standard Lock Functions 143

LOCKSETS 5000 SERIES

- 5000 Series Cylindrical Grade 1 Heavy Duty Levers 145**
- 5000 Series Cylindrical Grade 1 Heavy Duty Knobs 147**
 - 5000 Series Standard Lock Functions 149

LOCKSETS 5300 SERIES

- 5300 Series Cylindrical Grade 2 Standard Duty Commercial Levers 151**
- 5300 Series Cylindrical Grade 2 Standard Duty Commercial Knobs 153**
 - 5300 Series Standard Functions 155
 - 5300 Series Standard Functions 156

LEVERSETS LH 5300T SERIES

- LH 5300T 158

LOCKSETS 8700 SERIES

- 8700 Series Mortise Lockset Grade 1 Heavy Duty 162**
- 8700 ANSI Designer Levers 166**
 - N002 Houston 166
 - NT19 Logan 166
 - N126 Stella 166
 - N136 Muna 166
 - N102 Picasso 166
- 8700 ANSI Designer Levers 167**
 - N101 Matisse 167
 - N423 Miro 167
 - N156 Winnipeg 167
 - N167 Vancouver 167
- Escutcheon Plates 168**
- 8700 Series Standard Functions 169**
 - Non Keyed without Deadbolt 169
 - Keyed without deadbolt 169
 - Keyed with deadbolt 169
 - Deadbolt Functions 169
 - 8700 Series Standard Lock Functions 170
- Occupied Indicators 172**
 - Indicator R/W 172
 - Indicator R/GRN 172
 - Indicator DND 172

CYLINDERS KEYING INFORMATION

Cylinder Options 174

Mortise Cylinder 174

- Standard Type 174
- Interchangeable Core (SFIC) 174
- Small Format Interchangeable Core (SFIC) 174
- Large Format Interchangeable Core (LFIC) 174

Rim Cylinder 174

- Standard Type 174
- Interchangeable Core (SFIC) 174
- Key in knob (KIK), key in lever (KIL) Cylinder 174
- Keying information 175

ELECTRIFIED PRODUCTS

ELECTRIFIED PRODUCTS

8700 Series Electrified Mortise Locks 179

8700 Series Electrified Latch Retraction (ELR) Mortise Locks (Solenoid) 180

8700 Series Electrified Latch Retraction (ELR) Mortise Locks (Motor) 180

Electrified Panic Trim 181

8000 Series Motorized Latch Retraction Exit Device 182

Alarmed Exit Devices (ALK) 183

- EMERGENCY EXIT ONLY 183
- PUSH TO OPEN ALARM WILL SOUND 183

5000 Series Electrified Cylindrical Locks 184

Power Transfer Butt Hinges (ETW) 185

- Plug in Connector (PIC) 186

Concealed Door Loops 187

Surface Door Loop 188

ACCESSORIES

ACCESSORIES

Door Coordinators 193

- LH6600 Coordinator Drop Down Style 193
- LHSMSC-410 194

Surface Mounted Door Coordinator 195

Coordinator 195

- LHSMC-42 195
- LHSMC-52 195
- LHSMC-60 196
- LH-MB3 196

Automatic Flush Bolts 197

- LH610M - For Metal Doors 197
- LH610W - For Wood Doors 197

Constant Latching Flush Bolt 198

- LH510M - For Metal Doors 198
- LH510W - For Wood Doors 198

Universal Flush Bolts 199

- Universal Automatic Flush Bolts 199
- LHFB820 (pair of 810) 199
- Universal Self latching Flush Bolt 200
- LHFB780 (FB710 +FB810) 200
- Universal Automatic Flush bolt less bottom bolt 201
- LHFB810 + LHFL001 201
- Universal Self Latching Flush bolt less bottom bolt 201
- LHFB710 + LHFL001 201

Fire Latch Bolt 202

- LHFL001 202
- Fire Latch Bolt (LHFL001) Installation 202

Quality BUILDERS' Hardware Since 1876

History

A pioneer of the hardware products industry, Lawrence Hardware has a remarkable history of success and innovation. The company proudly traces its origins back to 1876 when the Lawrence Brothers, John and Edwin, bought part ownership in a hardware store.

For more than 146 years, Lawrence Hardware has been firmly committed to being at the forefront of the markets that it serves. This has been accomplished by putting customers first, a commitment that has guided the company from the beginning.

By putting customers first, Lawrence Hardware is able to create true value. This is achieved through the continuous redefinition and reinforcement of new and existing products in our portfolio. By being a cost-effective alternative, coupled with a rock solid commitment to being customer centric, the future looks bright.

Lawrence Hardware Milestones

- Founded in 1876 by brothers, John and Edwin Lawrence.
- Became a Patented producer of barbed wire.
- Began manufacturing farm products.
- Penetrated international markets in the 1920's by shipping products to South America, Australia and New Zealand.
- Added commercial ball bearing hinges to the product line in the 1930's making Lawrence Hardware a full-line hardware manufacturer.

Vision

To become the preferred global provider of architectural door hardware in all of the markets we serve. Attaining our vision requires a firm commitment to continuous improvement in every area of the organization.

Mission

To achieve our vision, Lawrence Hardware will leverage its inspirational past and set stretch goals. Our people will continue to exhibit the value of looking after the customer. The culture of our entire organization from the manufacturing factories to the front end of the business will, without question, allow us to meet our objectives.

Innovation

Innovation is woven into the very fabric of our company. We will never stop striving to make the extraordinary happen. Our customers range from small- and large- size commercial hardware suppliers. They cover a myriad of different types of businesses from contract hardware, aluminum door manufacturers to wholesale distributors. Their aim, like ours, is to deliver a superior product at a fair price.

Quality

We believe quality products and service are the primary factors that determine customer satisfaction and loyalty. Our knowledgeable employees not only allow Lawrence Hardware to provide timely delivery of standard products but can also recommend appropriate solutions to meet specific requirements for custom applications. Our extensive product line, designed to exceed ANSI/BHMA standards, will deliver the performance discerning end users are looking for. Lawrence Hardware is always looking for ways to enhance the customer experience and find ways to further benefit our customers. One of the ways we do this is by regularly adding new products to our extensive line to meet and exceed your evolving needs.

Lawrence Hardware has several technologically advanced, state-of-the-art manufacturing facilities strategically located around the world. The benefits include.

- Robust and dependable supply Chain
- Extensive product line
- Strong warranties
- Timely deliveries
- Value
- Custom design and manufacturing

Custom Manufacturing

When it comes to custom manufacturing, let Lawrence Hardware be your first choice. We will exceed your expectations utilizing our engineers, designers and product specialists.

It's not unusual for custom manufacturers to take 12 to 16 months to complete a project. This is often an insurmountable obstacle to the pursuit of custom solutions. At Lawrence Hardware we have the capabilities to deliver a custom project in 7 to 9 weeks. That's from concept, to end product which includes design, engineering, tooling, manufacturing and logistics. This entire process is achieved without sacrificing superb quality and craftsmanship at a fair price.

Partnership

The Lawrence Hardware name is synonymous with value, innovation and integrity. Our talented and passionate team will help us to achieve our vision. Let us help your business to fulfill its vision. We partner with companies we can align our philosophies with ours to create mutually beneficial relationship.

It is our pleasure to present our new catalogue. While the core products are unchanged, the catalogue includes many additions to our product line. We also have many new lever designs and line extensions. We trust you will find this refreshed catalogue to be a valuable tool to guide you through your architectural hardware needs.

General Terms and Conditions of Sale

All sales by Lawrence Hardware Inc. of the items in this catalogue and price book are made in accordance with these standard terms and conditions. All prices are per unit (each) unless otherwise specified and do not include sales or local taxes. All prices are in U.S. Dollars unless otherwise stated.

Prices

Orders are acknowledged with the understanding that they will be invoiced at prices in effect at the time of shipment. All prices are subject to change without prior notice. Except for contract orders for which firm prices have been quoted.

Terms

Net 30 days. Late charge of 1.5% per month on past due accounts.

Minimum Invoice

No order will be processed for less than \$50.00 net plus shipping charges.

Freight Policies

All goods are shipped Freight on Board (F.O.B.) Lawrence Warehouse. Full freight will be allowed on all orders equal or greater than \$2500.00 Net within the continental United States and Canada excluding Hawaii and Alaska. Carrier to be selected by Lawrence Hardware Inc. Air Freight and other requested shipments are at the expense of the consignee or customer. Cash on Delivery (C.O.D.) freight charges are to be paid by consignee or customer.

Return Goods

Return goods will not be accepted without prior approval. A Return Goods Authorization number RGA will be issued by the Customer Service Department. Merchandise must be packaged properly in original cartons, and not modified or installed.

Lawrence Hardware will issue full credit or replacement for any items that were shipped in error or had a defect in material or workmanship. Other approved returned goods will generate a credit for the invoice value less a 35% charge of the net invoice amount. Cash refunds will not be issued. Returns will not be accepted for merchandise shipped more than 6 months prior or for special order merchandise.

Cancellation

Cancellation of orders for standard stock merchandise will be accepted only if made in writing and received one week prior to the scheduled ship date. Special or custom orders for non stock material may not be canceled.

Claims

Please notify us promptly of any discrepancy in shipments or invoicing. All claims to be reported to us within one week after receipt of merchandise. Claims reports shall include purchase order number and invoice number. No claim for damage, shortage, or loss in transit will be accepted unless notice in writing is given to the carrier and to us within 10 days of receipt of goods.

Back Charges

Lawrence Hardware Inc. is not responsible for, does not authorize and will not accept charges for the cost of labour, or material incurred by anyone for installation, repair, service, or replacement to any product of our manufacture unless specifically authorized by an officer of this company.

TERMS AND CONDITIONS

Limited Warranty

Lawrence Hardware Inc. warrants that its products sold under the "Lawrence Hardware" trade name in the United States of America and Canada are free from defects in workmanship and materials under normal use and service. This warranty does not cover defects or damage arising from improper installation, lack of or improper maintenance, improper storage, shipping and handling, corrosion, erosion, ordinary wear and tear, misuse, abuse, accident, unauthorized service, or used with unauthorized non-Lawrence Hardware products or parts.

This warranty is void if any modification is made to the warranty product, regardless of whether the modification causes or contributes to the alleged defect. All modifications are made at the risk of the party making the modification.

The only liability of Lawrence Hardware Inc. in tort or contract whether under this warranty or otherwise, shall be limited to the repair or replacement of any product or component part which shall prove defective as covered by this warranty within the stated time period listed below, after delivery to the original purchaser.

Mortise Locks	Cylindrical Locks	Closers	Exit Devices	Hinges	Tubular Locks
Grade 10 Years	Grade 1-10 Years	Grade 1-25 Years	Grade 1-10 Years	Stainless - 5 Years	5 Years
	Grade 2-5 Years	Grade 2-5 Years	Grade 2-5 Years	Steel - 1 Year	



LAWRENCE

S E C T I O N

1



Hinges

How To Use Our Catalogue? 2
 Quality BUILDERS' Hardware Since 1876 7

HINGES

BUTT HINGES

Hinges Full Mortise Hinges - Standard Weight 14
 • LH179BB 14
 • LH191BB 14
 Hinges Full Mortise Hinges - Standard Weight 15
 • LH1379CB 15
 • LH1391CB 15
 Full Mortise Hinges - Heavy Weight 16
 • LH168BB 16
 • LH199BB 16
 Full Mortise Hinges - Heavy Weight 17
 • LH1368CB 17
 • LH1399CB 17
 Full Mortise Hinges - Standard Weight - Economy Hinge 18
 Full Mortise Hinges - Standard Weight - Spring Hinge 18
 • LH603BB 18
 • LH606SH 18
 Options 19
 • None Removeable Pin (NRP) 19
 • Electric Through Wire (ETW) 19
 Options 20
 • Plug in Connector (PIC) 20
 • Radius Corner (RC) 20
 Options 21
 • Hospital Tip (HT) 21
 • Fire Rated (cUL Marked) 21
 Hinge Specification Guide 23
 Hinge Requirements for Fire Doors 27
 Hinges for Fire Doors 30

3D ADJUSTABLE HINGE

3D Adjustable Concealed Hinge 33
 • LH-AH01 33
 • LH-AH02 33
 • LH-AH03 34
 • LH-AH05 35



LAWRENCE[®]
HARDWARE



BUTT HINGES



Hinges Full Mortise Hinges - Standard Weight

Full mortise hinge for use on medium weight doors that have medium to high frequency service. They are suitable for hollow metal or wood doors.



LH179BB

Base Material:	Steel			
Hinge Bearing Type:	Ball Bearing			
Description:	Standard Weight 5 Knuckle 2 ball bearing hinges Steel			
Sizes:	Inches	mm	Inches	mm
	4-1/2" x 4"	(114X102)	.134	(3.4)
	4-1/2" x 4-1/2"	(114X114)	.134	(3.4)
	5" x 4"	(127X102)	.146	(3.7)
	5" x 4-1/2"	(127X114)	.146	(3.7)
	5" x 5"	(127X127)	.146	(3.7)

Finishes:	Available in C26, C26D, C10B, C19 (Black)
Options	Non removable pin (NRP), Radius Corner (RC) - 1/4"
Electrical Modification:	Electric Through Wire (ETW) / Plug in Connector (PIC) - Check with factory

Certification:

- UL10C Listed - Positive Pressure Fire Test of Door Assemblies
- CAN/ULC-S104 Listed - Standard Method for Fire Tests of Door Assemblies
- For use on swinging type doors rated up-to and including 3 hr
- Approved to be used for ANSI/NFPA 80 fire rated opening
- Conforms to ANSI/BHMA A156.1 & A156.7

LH191BB

Base Material:	Stainless Steel			
Hinge Bearing Type:	Ball Bearing			
Description:	Standard Weight 5 Knuckle 2 ball bearing hinges Stainless Steel			
Sizes:	Inches	mm	Inches	mm
	4-1/2" x 4"	(114X102)	.134	(3.4)
	4-1/2" x 4-1/2"	(114X114)	.134	(3.4)
	5" x 4"	(127X102)	.146	(3.7)
	5" x 4-1/2"	(127X114)	.146	(3.7)
	5" x 5"	(127X127)	.146	(3.7)

Finishes:	Available in C32D
Options	Non removable pin (NRP), Radius Corner (RC) & Hospital tip (HT)
Electrical Modification:	Electric Through Wire (ETW) / Plug in Connector (PIC) - Check with factory

Certification:

- ANSI/BHMA A156.1 Grade 2 and A156.7
- UL10C Listed - Positive Pressure Fire Test of Door Assemblies
- CAN/ULC-S104 Listed - Standard Method for Fire Tests of Door Assemblies
- For use on swinging type doors rated up-to and including 3 hr
- Approved to be used for ANSI/NFPA 80 fire rated opening



Hinges Full Mortise Hinges - Standard Weight

Full mortise hinge for use on medium weight doors that have medium to high frequency service. They are suitable for hollow metal or wood doors.



LH1379CB

Base Material:	Steel			
Hinge Bearing Type:	Concealed Bearing			
Description:	Standard Weight Concealed bearing 3 knuckle hinges Steel			
Sizes:	Inches	mm	Inches	mm
	4-1/2" x 4"	(114X102)	.134	(3.4)
	4-1/2" x 4-1/2"	(114X114)	.134	(3.4)
	5" x 4"	(127X102)	.146	(3.7)
	5" x 4-1/2"	(127X114)	.146	(3.7)
	5" x 5"	(127X127)	.146	(3.7)
Finishes:	Available in C26, C26D, C10B, C19 (Black)			
Options:	Non removable pin (NRP), Radius Corner (RC) - 1/4" radius			
Electrical Modification:	Electric Through Wire (ETW) / Plug in Connector (PIC) - Check with factory			

Certification:

- UL10C Listed - Positive Pressure Fire Test of Door Assemblies
- CAN/ULC-S104 Listed - Standard Method for Fire Tests of Door Assemblies
- For use on swinging type doors rated up-to and including 3 hr
- Approved to be used for ANSI/NFPA 80 fire rated opening
- Conforms to ANSI/BHMA A156.1 & A156.7



LH1391CB

Base Material:	Stainless Steel			
Hinge Bearing Type:	Concealed Bearing			
Description:	Standard Weight Concealed bearing 3 knuckle hinges Stainless Steel			
Sizes:	Inches	mm	Inches	mm
	4-1/2" x 4"	(114X102)	.134	(3.4)
	4-1/2" x 4-1/2"	(114X114)	.134	(3.4)
	5" x 4"	(127X102)	.146	(3.7)
	5" x 4-1/2"	(127X114)	.146	(3.7)
	5" x 5"	(127X127)	.146	(3.7)
Finishes:	Available in C32D			
Options:	Non removable pin (NRP), Radius Corner (RC) - 1/4" radius & Hospital tip (HT)			
Electrical Modification:	Electric Through Wire (ETW) / Plug in Connector (PIC) - Check with factory			

Certification:

- UL10C Listed - Positive Pressure Fire Test of Door Assemblies
- CAN/ULC-S104 Listed - Standard Method for Fire Tests of Door Assemblies
- For use on swinging type doors rated up-to and including 3 hr
- Approved to be used for ANSI/NFPA 80 fire rated opening
- Conforms to ANSI/BHMA A156.1 & A156.7

Full Mortise Hinges - Heavy Weight

Full mortise hinge for use on heavy weight doors that have high frequency service. They are suitable for hollow metal or wood doors.



LH168BB

Base Material:	Steel			
Hinge Bearing Type:	Ball Bearing			
Description:	Heavy Weight 5 Knuckle 4 ball bearing hinges Steel			
Sizes:	Inches	mm	Inches	mm
	4-1/2" x 4"	(114X102)	.180	(4.6)
	4-1/2" x 4-1/2"	(114X114)	.180	(4.6)
	5" x 4"	(127X102)	.190	(4.8)
	5" x 4-1/2"	(127X114)	.190	(4.8)
	5" x 5"	(127X127)	.190	(4.8)

Finishes:	Available in C26, C26D, C10B, C19 (Black)
Options	Non removable pin (NRP)
Electrical Modification:	Electric Through Wire (ETW) / Plug in Connector (PIC) - Check with factory

Certification:

- ANSI/BHMA A156.1 Grade 1 and A156.7
- UL10C Listed - Positive Pressure Fire Test of Door Assemblies
- CAN/ULC-S104 Listed - Standard Method for Fire Tests of Door Assemblies
- For use on swinging type doors rated up-to and including 3 hr
- Approved to be used for ANSI/NFPA 80 fire rated opening



LH199BB

Base Material:	Stainless Steel			
Hinge Bearing Type:	Ball Bearing			
Description:	Heavy Weight 5 Knuckle 4 ball bearing hinges Stainless Steel			
Sizes:	Inches	mm	Inches	mm
	4-1/2" x 4"	(114X102)	.180	(4.6)
	4-1/2" x 4-1/2"	(114X114)	.180	(4.6)
	5" x 4"	(127X102)	.190	(4.8)
	5" x 4-1/2"	(127X114)	.190	(4.8)
	5" x 5"	(127X127)	.190	(4.8)

Finishes:	Available in C32D
Options	Non removable pin (NRP)
Electrical Modification:	Electric Through Wire (ETW) / Plug in Connector (PIC) - Check with factory

Certification:

- ANSI/BHMA A156.1 Grade 1 and A156.7
- UL10C Listed - Positive Pressure Fire Test of Door Assemblies
- CAN/ULC-S104 Listed - Standard Method for Fire Tests of Door Assemblies
- For use on swinging type doors rated up-to and including 3 hr
- Approved to be used for ANSI/NFPA 80 fire rated opening

Full Mortise Hinges - Heavy Weight

Full mortise hinge for use on heavy weight doors that have high frequency service. They are suitable for hollow metal or wood doors.



LH1368CB

Base Material:	Steel			
Hinge Bearing Type:	Concealed Bearing			
Description:	Heavy Weight Concealed bearing 3 knuckle hinges Steel			
Sizes:	Inches	mm	Inches	mm
	4-1/2" x 4"	(114X102)	.180	(4.6)
	4-1/2" x 4-1/2"	(114X114)	.180	(4.6)
	5" x 4"	(127X102)	.190	(4.8)
	5" x 4-1/2"	(127X114)	.190	(4.8)
	5" x 5"	(127X127)	.190	(4.8)
Finishes:	Available in C26, C26D, C10B, C19 (Black)			
Options	Non removable pin (NRP) / Radius Corner (RC) - 1/4" and 5/8" radius			
Electrical Modification:	Electric Through Wire (ETW) / Plug in Connector (PIC) - Check with factory			

Certification:

- UL10C Listed - Positive Pressure Fire Test of Door Assemblies
- CAN/ULC-S104 Listed - Standard Method for Fire Tests of Door Assemblies
- For use on swinging type doors rated up-to and including 3 hr
- Approved to be used for ANSI/NFPA 80 fire rated opening
- Conforms to ANSI/BHMA A156.1 & A156.7



LH1399CB

Base Material:	Stainless Steel			
Hinge Bearing Type:	Concealed Bearing			
Description:	Heavy Weight Concealed bearing 3 knuckle hinges Stainless Steel			
Sizes:	Inches	mm	Inches	mm
	4-1/2" x 4"	(114X102)	.180	(4.6)
	4-1/2" x 4-1/2"	(114X114)	.180	(4.6)
	5" x 4"	(127X102)	.190	(4.8)
	5" x 4-1/2"	(127X114)	.190	(4.8)
	5" x 5"	(127X127)	.190	(4.8)
Finishes:	Available in C32D			
Options	Non removable pin (NRP), Radius Corner (RC) - 1/4" and 5/8" radius / Hospital Tip (HT)			
Electrical Modification:	Electric Through Wire (ETW) / Plug in Connector (PIC) - Check with factory			

Certification:

- UL10C Listed - Positive Pressure Fire Test of Door Assemblies
- CAN/ULC-S104 Listed - Standard Method for Fire Tests of Door Assemblies
- For use on swinging type doors rated up-to and including 3 hr
- Approved to be used for ANSI/NFPA 80 fire rated opening
- Conforms to ANSI/BHMA A156.1 & A156.7

Full Mortise Hinges - Standard Weight - Economy Hinge

Full mortise hinge for use on medium weight doors that have medium frequency service. They are suitable for hollow metal or wood doors.



LH603BB

- Base Material: Steel
 Hinge Bearing Type: Ball Bearing
 Description: Standard Weight 5 Knuckle 2 ball bearing hinges Steel
 Sizes:
- | Inches | mm | Inches | mm |
|-----------------|-----------|--------|-------|
| 4-1/2" x 4" | (114X102) | .134 | (3.4) |
| 4-1/2" x 4-1/2" | (114X114) | .134 | (3.4) |
- Finishes: Available in C26D, C19 (Black)
 Options: Non removable pin (NRP) / Radius Corner (RC) - 1/4"
 Certification:
- ANSI/BHMA A156.1 Grade 2 and A156.7
 - UL10C Listed - Positive Pressure Fire Test of Door Assemblies
 - For use on swinging type doors rated up-to and including 3 hr
 - Approved to be used for ANSI/NFPA 80 fire rated opening

Full Mortise Hinges - Standard Weight - Spring Hinge

Fully adjustable; spring tension may be increased or decreased during installation. Apartments, hotel or motel rooms, condominiums and office buildings or anywhere self closing doors are required.



LH606SH

- Base Material: Steel
 Hinge Bearing Type: Ball Bearing
 Description: Standard Weight, Spring hinges Steel
 Sizes:
- | Inches | mm | Inches | mm |
|-----------------|-----------|--------|-------|
| 4-1/2" x 4" | (114X102) | .134 | (3.4) |
| 4-1/2" x 4-1/2" | (114X114) | .134 | (3.4) |
- Finishes: C26D, C19 (Black)
 Options: Radius Corner (RC) - 1/4" radius
 Certification:
- Conforms to ANSI/BHMA A156.17 Grade 1
 - For self-closing doors without hold open feature

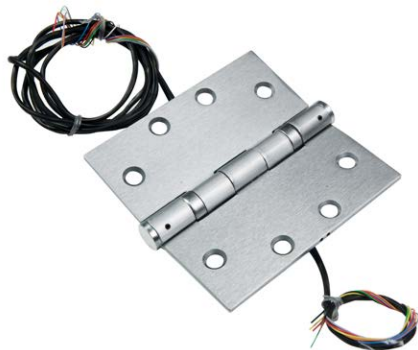
Weight	Guidelines
Up to 70lbs	1 spring hinge with 2 ball bearing hinges. Spring hinge in centre
Up to 90lbs	2 spring hinges with 1 ball bearing hinge. Spring hinge in centre and bottom
Up to 120lbs	3 spring hinges

Options



NONE REMOVEABLE PIN (NRP)

NRP: Set screw in barrel lock in loose pin as shown. Set screw is not accessible when door is closed. Specify "NRP" (non-removable pin) when ordering



ELECTRIC THROUGH WIRE (ETW)

Electric through wire: for use when power is required to the door. Applications include electrified panics such as electric latch retraction or push pad and/ or latchbolt monitoring. Other application include electrically locked or electrically unlocked, card readers and request to exit functions.

Specify: "ETW" hinge and the number of wires required. Normally this feature is available with (4@28AWG), (8@28AWG) or (12@28AWG) wire. Standard length is 12" x 48".

Hinges should be installed in centre hinge location.

Packed one per box.

Note: Other Wire Lengths availability by order.

Options



PLUG IN CONNECTOR (PIC)

Plug in connector. Makes connection in field faster and creates a positive interlock between the hinge side of door and the device the hinge is connected to.

Specify: "PIC" and wire gauge, and number of wires when ordering.



RADIUS CORNER (RC)

Radius Corner: Primarily for use on aluminum doors and frames. This feature is available in both 1/4" and 5/8" radius.

Specify: "RC" and radius when ordering.

Options



HOSPITAL TIP (HT)

Hospital Tip: Barrel ends are sloped, making it easier to clean and making it difficult to attach rope, clothing or other ligatures. The pin is held in place by a cross pin for security reasons. Specify "HT" when ordering. Not available on all models.



FIRE RATED (CUL MARKED)

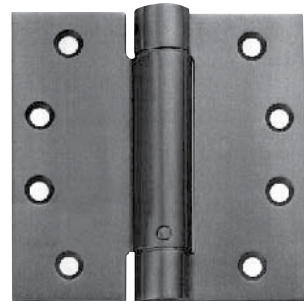
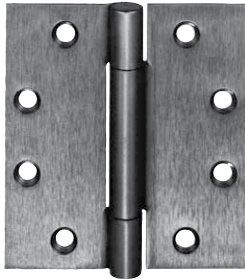
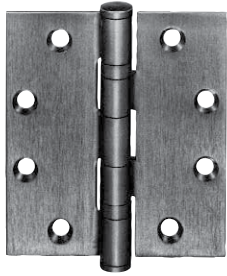
Full mortise, butt hinges, 3-knuckle and 5 knuckle standard and heavy weight for use on swinging-type fire doors rated upto and including 3 hour. Available for the following models:

Standard weight	Heavy weight
LH179BB	LH168BB
LH191BB	LH199BB
LH1379CB	LH1368CB
LH1391CB	LH1399CB



F R38304
 DOOR HINGE

3 HR LISTED



Hinge Specification Guide

Factors determining selection for the proper hinge

- A) Type of door and frame
- B) Size, thickness and weight of door with all hardware accessories
- C) Clearance required
- D) Use - Exterior or interior, frequency
- E) Exposure (sea air, dust, corrosive atmosphere, etc.)
- F) Quality desired
- G) Special application or use
- H) Door accessories (overhead holders, closers, stops, lock plates, etc.) which affect hinge performance
- I) Hinge edge of door beveled or square

Requirements for selection of proper hinge specification

1. Kind of hinge: Primary consideration is given to the type of door and jamb for selection of a definite kind of hinge.
2. Type of hinge - Ball bearing, plain, etc.: The weight of the door and frequency used determine whether a heavy weight, standard weight, ball bearing or plain bearing hinge should be used - Heavy weight hinges should always be used on heavy doors and doors where high frequency service is expected - Use ball bearing hinges on doors equipped with closers and on fire doors.
3. Size of hinge: Determined by width, thickness and weight of door and trim to clear.
4. Kind of metal: Determined by considerations such as atmospheric conditions, location of doors, or special conditions as in chemical laboratories sewage disposal plants, etc. Non ferrous metal must always be used for rust resistance.
5. Quality of finish: Finish on hinges is always furnished to our standard and government standard finishes. When an exact match of another manufacturer's finish is desired, submit sample. (Minimum quantity required).
6. Location of hinges on doors and maintenance: Improper maintenance or wrong installation of hinges can affect the life of the product and cancel the guarantee.
7. Number of hinges required on doors and maintenance:
Always specify at least three hinges to a door ... because the third hinge shares the load with the other two hinges and increases the life of the installation and prevents warpage of doors.
Doors with closers, holders and stops are subject to forces and stresses not encountered in free hanging and free swinging doors. These doors require a hinge with particularly good lateral load capacities to be able to take such stresses. The top hinge suffers severe abuse, and to the extent that it loosens, the centre hinge takes up the load.
8. Hand of door: Anchor type, raised barrel hinges, etc. are handed and should be specified right or left hand.
9. Industrial: Hinges described in this catalogue, can be modified to meet the requirements of industry. Your inquiries, with detailed drawing of requirements, are cordially invited by our technical department. (Minimum quantity required).
10. Packing: Our products are packed and protected in strong approved containers. All hinges are individually wrapped to protect the finish and packed one and a half pair (1 1/2) per box with full machine and full wood screws.
11. Screws: Packed with minimum full machine and half wood.

Application determines different kind of hinges.

Full mortise
Wood Doors, Wood Jamb

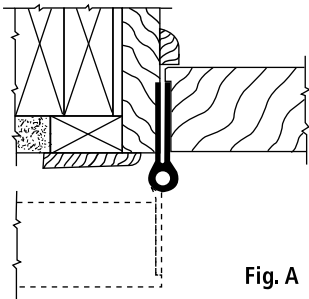


Fig. A

Full mortise
Wood Doors, Hollow Metal Jamb

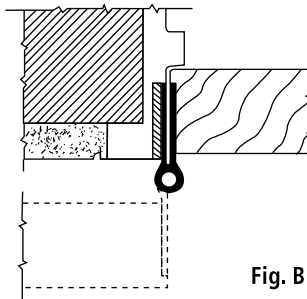


Fig. B

Full mortise
Hollow Metal Doors,
Hollow Metal Jamb

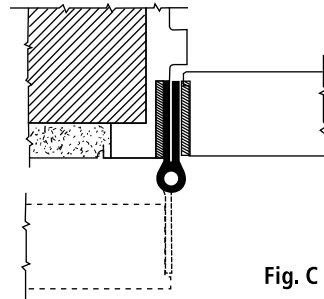


Fig. C

Half mortise
Hollow Metal Doors
Channel Iron Jamb

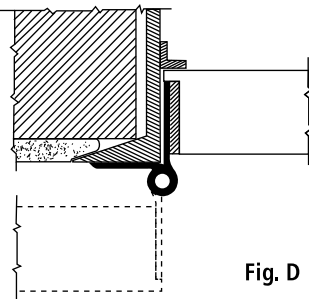


Fig. D

Half surface
Wood Doors, Wood Jamb

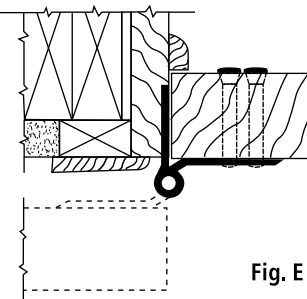


Fig. E

Half surface
Kalamein Doors,
Hollow Metal Jamb

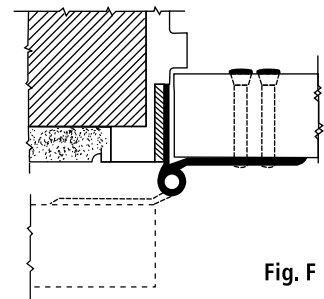


Fig. F

Full surface
Kalamein Doors, Channel Iron Jamb

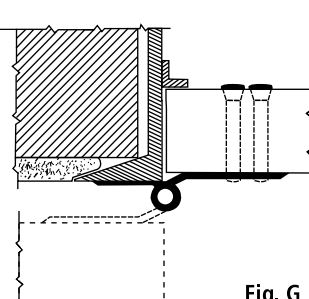


Fig. G

Full surface
Hollow Metal Doors
Channel Iron Jamb

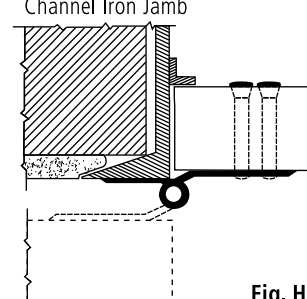


Fig. H

"Swing Clear" Full mortise
Wood Doors, Hollow Metal Jamb

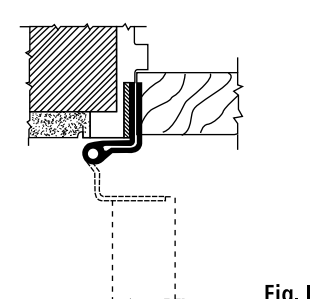


Fig. I

"Swing Clear" half mortise
Wood Doors
Channel Iron Jamb

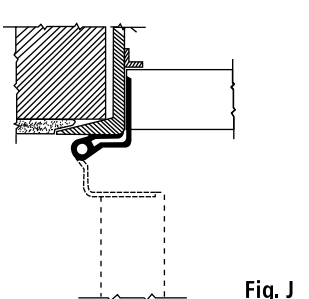


Fig. J

"Swing Clear" half surface
Kalamein Doors,
Hollow Metal Jamb

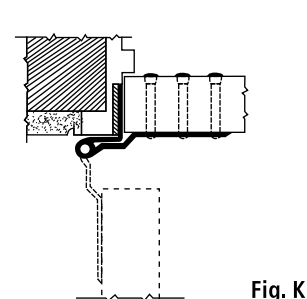


Fig. K

"Swing Clear" full mortise
Kalamein Doors,
Channel Iron Jamb

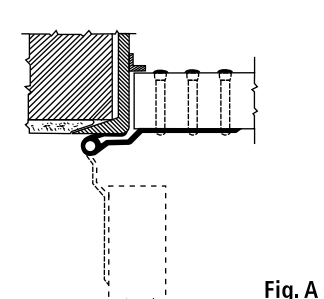


Fig. A

Recommendations for Sizes of Hinges

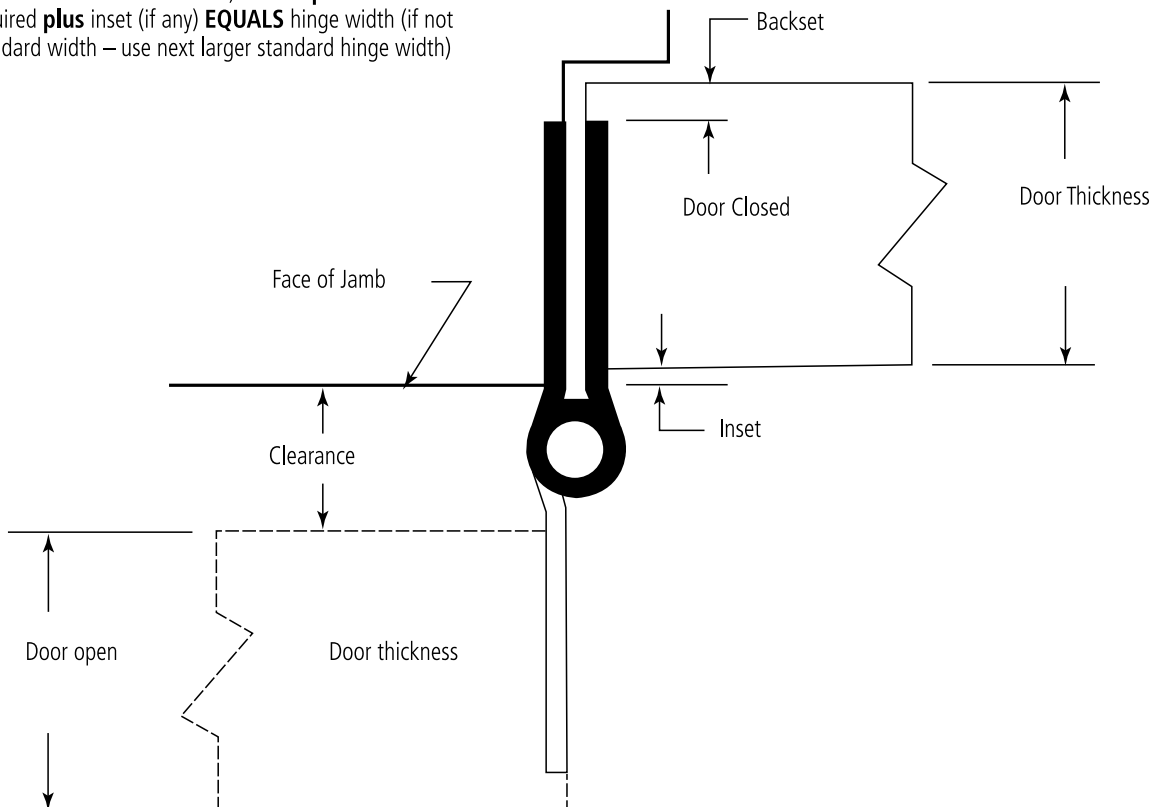
Door Thickness	Door Width	Hinge Height	Hinge Width
Inches	Inches	Inches	Inches
1 3/8	Up to 32	3 1/2	3 1/2
	Over 32	4	3 1/2
1 3/4	Up to 36	4 1/2	4
	Over 36	5	4 1/2
	Up to 48	5	5
2	Up to 42	5	4 1/2
2 1/4	Up to 42	5	5
2 1/2	Up to 42	5	5.

Door Thickness	Door Width	Hinge Height	Hinge Width
mm	mm	mm	mm
35	Up to 800	88	88
	Over 800	101	88
44	Up to 900	114	101
	Over 900	127	114
	Up to 1200	127	127
50	Up to 1050	127	114
57	Up to 1050	127	127
63	Up to 1050	127	127

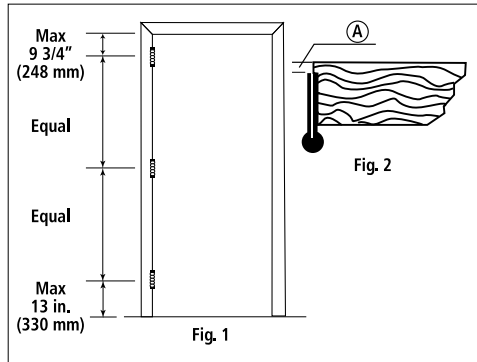
Formula to determine hinge width under normal conditions

- Known factors :
- 1) Door thickness
 - 2) Backset
 - 3) Clearance required
 - 4) Inset

(door thickness minus backset) times 2 **plus** clearance required **plus** inset (if any) **EQUALS** hinge width (if not standard width – use next larger standard hinge width)

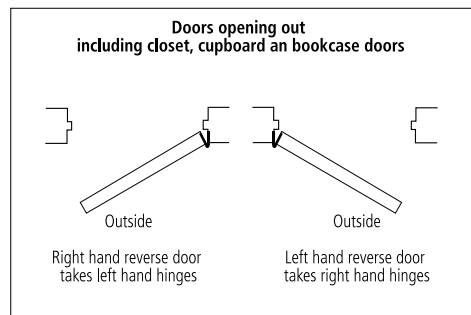
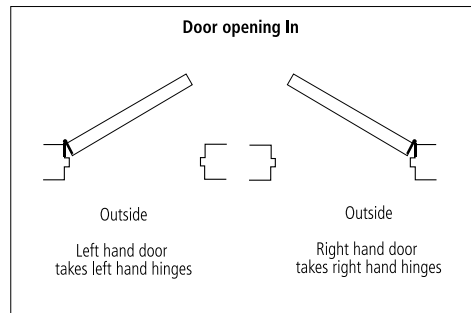


Location of Hinges on Doors



For doors up to 2 1/4 in. (57 mm) thick, hinges are applied 1/4 in. (6 mm) from edge. (A)
 For doors over 2 1/4 in. (57mm) thick, hinges are applied 3/8 in. (10 mm) from edge. (A)

How to Determine Hand of Hinges



Hinge Maintenance:

For general maintenance of Architectural grade hinges, we recommend that the pins be removed and liberally coated with general purpose grease, then re-inserted and the excess wiped off. Also we highly recommend that all attaching screws be checked for tightness.

Number of Hinges per Door

The following quantity of hinges are recommended for doors of various sizes:
 2 hinges: Doors up to 60 in. (1500mm) in height
 3 hinges: Doors up to 60 in. (1500mm) but not over 90 in. (2500mm) in height
 4 hinges: Doors over 90 in. (2250mm) but not over 120 in. (3000mm) in height

Note: Doors over 120 in (3000mm) add one hinge for each additional 30 in (750mm) or fraction thereof.

The hand of a butt hinge is determined from the door to which it is applied
 The outside of a cupboard, bookcase or closet door is the room side. For other doors, the outside is usually the "push" or jamb side.
 If standing outside of a door which opens from you: to the right, it takes right hand butt hinges. If to the left, it takes left hand butt hinges.
 If standing outside of a door which opens towards you: to the right, it takes left hand butt hinges. If to the left, it takes right hand butt hinges.
 Reversed bevel doors are doors opening out.

In ordering butt hinges that are not reversible, the hand must always be specified.

Hinge Requirements for Fire Doors

National Fire Protection Association, pamphlet no. 80 (NFPA-80) lists the guidelines for hinge uses with fire doors.

Attaching Hinges to Doors

Mortise hinges shall be secured to reinforcements in the doors with steel machine screws and surface hinges shall be attached with steel through-bolts.

Exception

Mortise hinges shall be secured to wood and plastic covered composite or wood core doors with No. 12 by 1 1/4 in (31.75mm) flat threaded-to-the-head, steel wood screws.

Attaching Hinges to Frame

Hinges shall be secured to frames with steel screws. Types of screws will vary depending on material used for the manufacture of labeled door frames. Refer to labeled door frame manufacturers instructions and published listings for specific screw requirements.

Hardware shall be examined frequently and any parts found to be inoperative shall be replaced immediately.

Builder s Hardware

Mortise and surface hinges for swinging doors including spring hinges.

Doors up to 60 in. (1.522m) in height shall be provided with two hinges and an additional hinge for each additional 30 in. (0.762m)

Door rating, Hr							For 1 3/4 in. (44.5 mm) or thicker doors				Type Hinge
							Maximum door size		Minimum hinges size		
							Width ft (m)	Height ft (m)	Height in. (mm)	Thickness in. (mm)	
3	1 1/2	1	3/4	1/2	1/3	4 (1.22)	10 (3.05)	4 1/2 (114.3)	0.180 (4.57)	Steel, Mortise or Surface	
3	1 1/2	1	3/4	1/2	1/3	4 (1.22)	8 (2.44)	4 1/2 (114.3)	0.134 (3.40)		
	1 1/2	1	3/4	1/2	1/3	3 (0.91)	5 (1.52)	4 (101.6)	0.130 (3.30)		
	1 1/2	1	3/4	1/2	1/3	2 (0.61)	3 (0.91)	3 (76.2)	0.092 (2.34)		
							For 1 3/8 in. (34.93 mm) Doors				
3	1 1/2		3/4	1/2	1/3	3 (0.91)	7 (2.13)	3 1/2 (88.9)	0.123 (3.12)		

Note 1:

All hinges except spring hinges, shall be of the ball bearing type. Hinges employing other antifriction bearing surfaces are permitted if they meet the test requirements of standard for butts hinges (ANSI A 156.1).

Note 2:

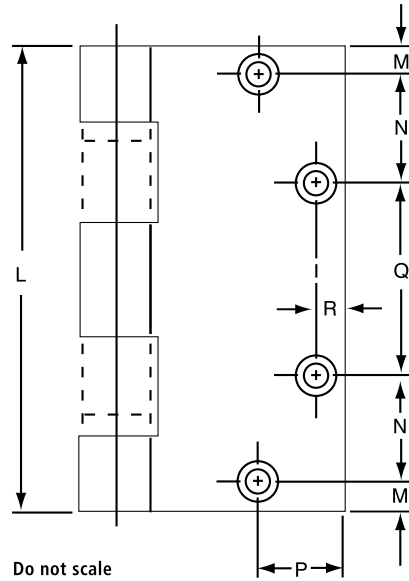
4-1/2 in. (114mm) high, 0.180 in. (4.57mm) thick hinges should be used on doors which are unusually wide and heavy or which will receive high frequency use or unusual stresses.

Note 3:

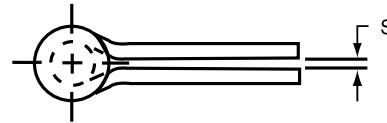
Some manufacturers may provide fire doors with hinges of light weight which are not ball bearing when they are part of a listed assembly and meet the test requirements of ANSI A 156.1 and have been tested to a minimum of 350, 000 cycles.

Dimensions	Inches	mm
	4 1/2 x 4	114.30 x 101.60
	4 1/2 x 4 1/2	114.30 x 114.30

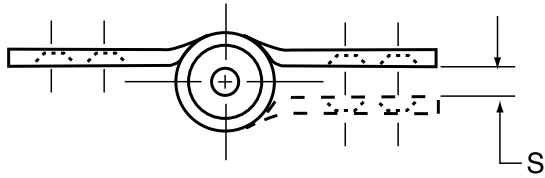
Dimensions	Inches	mm
L	4.5000	114.30
M	0.508	12.90
N	1.125	28.58
P	1.000	25.40
Q	1.234	31.34
R	0.375	9.53
S	0.063	1.59



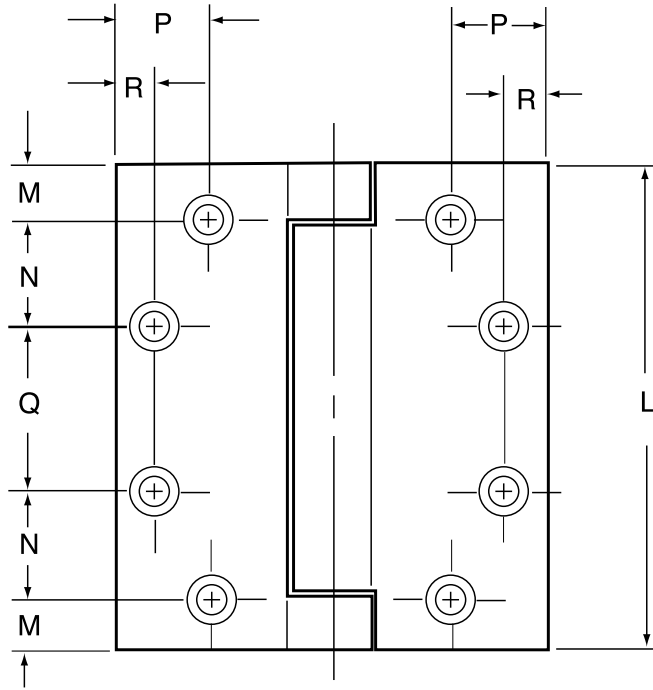
- Machine Screws : 12-24 x 1/2 F.H.
- 12-24 x 13 F.H
- Wood Screws : 1 1/4 x no. 12 F.H.
- 32 x no. 12 F.H.
- *1 1/2 x no. 12 F.H.
- *38 x no. 12 F.H.



These template butt hinges are made in size, gauge and with screw holes located to conform to government and ANSI standards.



Dimensions	Inches	mm
	4 1/2 x 4	114.30 x 101.60
	4 1/2 x 4 1/2	114.30 x 114.30



Dimensions	Inches	mm
L	4.500	114.30
M	0.508	12.90
N	1.125	28.58
P	1.000	25.40
Q	1.234	31.34
R	0.375	9.53
S	0.063	1.59
Metal Thickness	0.134	3.40

Machine Screws : 12-24 x 1/2 F.H.
12-24 x 13 F.H.
Wood Screws : 1 1/4 x no. 12 F.H.
32 x no. 12 F.H.

Do not scale

Class Number

Steel
LH606SH

These template butt hinges are made in size, gauge and with screw holes located to conform to government and ANSI standards.

Note: Fully adjustable; spring tension may be increased or decreased during installation.

Hinges for Fire Doors

6.4.3* Builders Hardware.

6.4.3.1 Hinges. Hinges shall be as specified in individual door manufacturer’s published listings or Table 6.4.3.1.

6.4.3.1.1 Doors up to 60 in. (1.52 m) in height shall be provided with two hinges and an additional hinge for each additional 30 in. (076 m) of door height or fraction thereof.

6.4.3.1.1.1 The distance between hinges shall be permitted to exceed 30 in (0.76 m).

6.4.3.1.1.2 Where spring hinges are used, at least two shall be provided.

6.4.3.1.2 All hinges or pivots, except spring hinges, shall be of the ball bearing type.

6.4.3.1.2.1 Hinges or pivots employing other anti-friction bearing surfaces shall be permitted if they meet the requirements of ANSI/BHMA A156.1, *Standard for Butts and Hinges*.

6.4.3.1.2.2 Spring hinges shall be labeled and shall meet the requirements of ANSI/BHMA A156.17, *Standard for Self Closing Hinges & Pivots, Grade 1*.

Table 6.4.3.1 Builders Hardware Mortise, Surface, and Full Length Hinges, Pivots, or Spring Hinges for Swinging Doors

Door Rating (hr)	Maximum Door Size			Minimum Hinge Size			Type Hinge
	Width ft (m)	Height ft (m)	Height In. (mm)	Thickness In. (mm)			
For 1 3/4 in. (44.5-mm) or Thicker Doors							
3, 1 1/2, 1, 3/4, 1/2, 1/8	4 (1.22)	10 (3.05)	4 1/2 (114.3)	0.180 (4.57)			Steel, mortise or surface
3, 1 1/2, 1, 3/4, 1/2, 1/8	4 (1.22)	8 (2.44)	4 1/2 (114.3)	0.134 (3.40)			Steel, mortise or surface
1 1/2, 1, 3/4, 1/2, 1/8	3 1/2 (0.96)	8 (2.44)	6 (152.4)	0.225 (5.72)			Steel, olive knuckle or paumelle
3, 1 1/2, 1, 3/4, 1/2, 1/8	4 (1.22)	10 (3.05)	4 (101.6)	0.225 (5.72)			Steel pivots (including top, bottom, and intermediate)
1 1/2, 1, 3/4, 1/2, 1/8	3 (0.91)	5 (1.52)	4 (101.6)	0.130 (3.30)			Steel, mortise or surface
1 1/2, 1, 3/4, 1/2, 1/8	2 (0.61)	3 (0.91)	3 (76.2)	0.092 (2.34)			Steel, mortise or surface
3, 1 1/2, 1, 3/4, 1/2, 1/8	3 (0.91)	7 (2.13)	4 1/2 (114.3)	0.134 (3.40)			Steel mortise or surface (labeled, self closing, spring type)
3, 1 1/2, 1, 3/4, 1/2, 1/8	3 (0.91)	7 (2.13)	4 (101.6)	0.105 (2.67)			Steel, mortise or surface (labeled, self closing, spring type)
For 1 3/8 in. (34.93-mm) Doors							
3, 1 1/2, 1, 3/4, 1/2, 1/8	3 (0.91)	7 (2.13)	3 1/2 (88.9)	0.123 (3.12)			Steel, mortise or surface
3, 1 1/2, 1, 3/4, 1/2, 1/8	2 3/8 (0.81)	7 (2.13)	3 1/2 (88.9)	0.105 (2.67)			Steel, mortise or surface (labeled, self closing, spring type)

6.4.3.1.3 Hinges 4 1/2 in. (114 mm) high and 0.180 in. (4.57 mm) thick shall be permitted for use on wide and heavy doors or doors that are subjected to heavy use or unusual stress.

6.4.3.1.4 Fire doors with hinges of lighter weight that are not of the ball bearing type shall be permitted under the following conditions:

1. They are part of a listed assembly.
2. They meet the test requirements of ANSI/BHMA A156.1, *Standard for Butts and Hinges*.
3. They have been tested to a minimum of 350,000 cycles.

6.4.3.1.5 Pivot sets made up of components that are smaller or of a lighter gauge than shown in Table 6.4.3.1 shall be permitted to be used, provided they meet the requirements of ANSI/BHMA A156.4, *Standard for Door Controls (Closers)*, and are in accordance with the manufacturer’s label service procedures.

6.4.3.2 Attaching Hinges to Doors.

6.4.3.2.1 Hinges shall be secured in accordance with the listing and the manufacturer’s installation instructions.

6.4.3.2.2 Mortise hinges shall be secured to reinforcements in the doors with steel machine screws.

6.4.3.2.3 Mortise hinges shall be secured to wood and plastic-covered composite doors or wood core doors with No. 12 x 1 1/4 in. (31.75 mm) flat, threaded-to-the-head, steel wood screws. Pilot holes shall be drilled that are 5/32 in. (4 mm) in diameter.

6.4.3.2.4 Surface hinges shall be attached with steel through-bolts.

6.4.3.3 Attaching Hinges to Frames. Hinges shall be secured to frames with steel screws.

6.4.3.3.1 Types of screws shall be permitted to vary depending on material use for the manufacture of labeled door frames.

6.4.3.3.2 The manufacturer’s instructions and published listings for labeled door frames shall be referenced for specific screw requirements.

6.4.3.3.4 Shimming. When required to meet the clearances stated in 6.3.1.7, the shimming of hinges using steel shims shall be permitted.

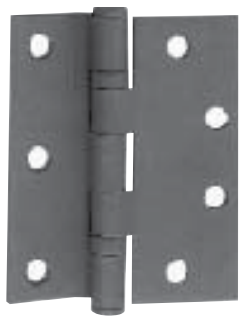
Reproduced with permission of NFPA from NFPA 80, Standard for Fire Doors and Other Opening Protectives, 2025 edition. Copyright© 2024, National Fire Protection Association. For a full copy of NFPA 80, please go to www.nfpa.org.

- Swing Clear - Full Mortise**
- Half Mortise - Full Surface**
- Half Surface**
- 3 - Knuckles - Concealed Bearing**
- Standard Weight - Heavy Weight**
- Ball Bearing Hinge**



Full mortise - Swing clear

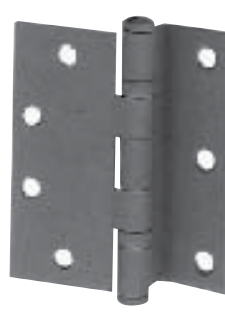
Available material in stainless steel, solid brass and steel



Half mortise



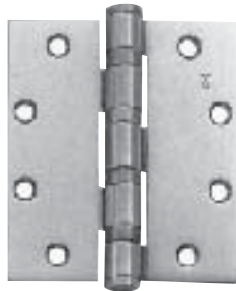
Full surface



Half surface



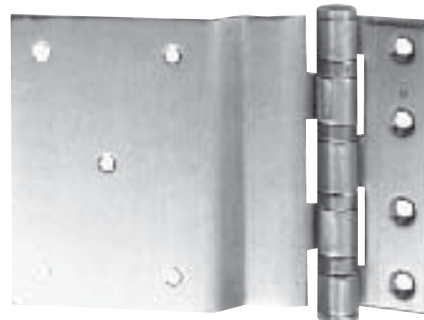
Half surface



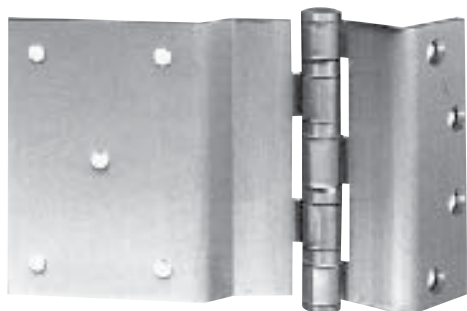
Full mortise (Stock item)



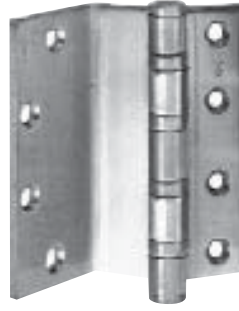
3 Knuckles
Concealed bearing



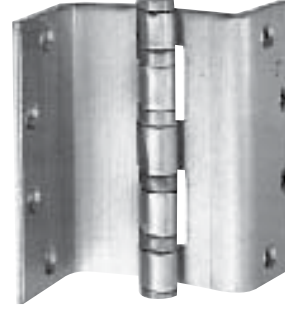
Full surface - Swing clear



Half surface - Swing clear

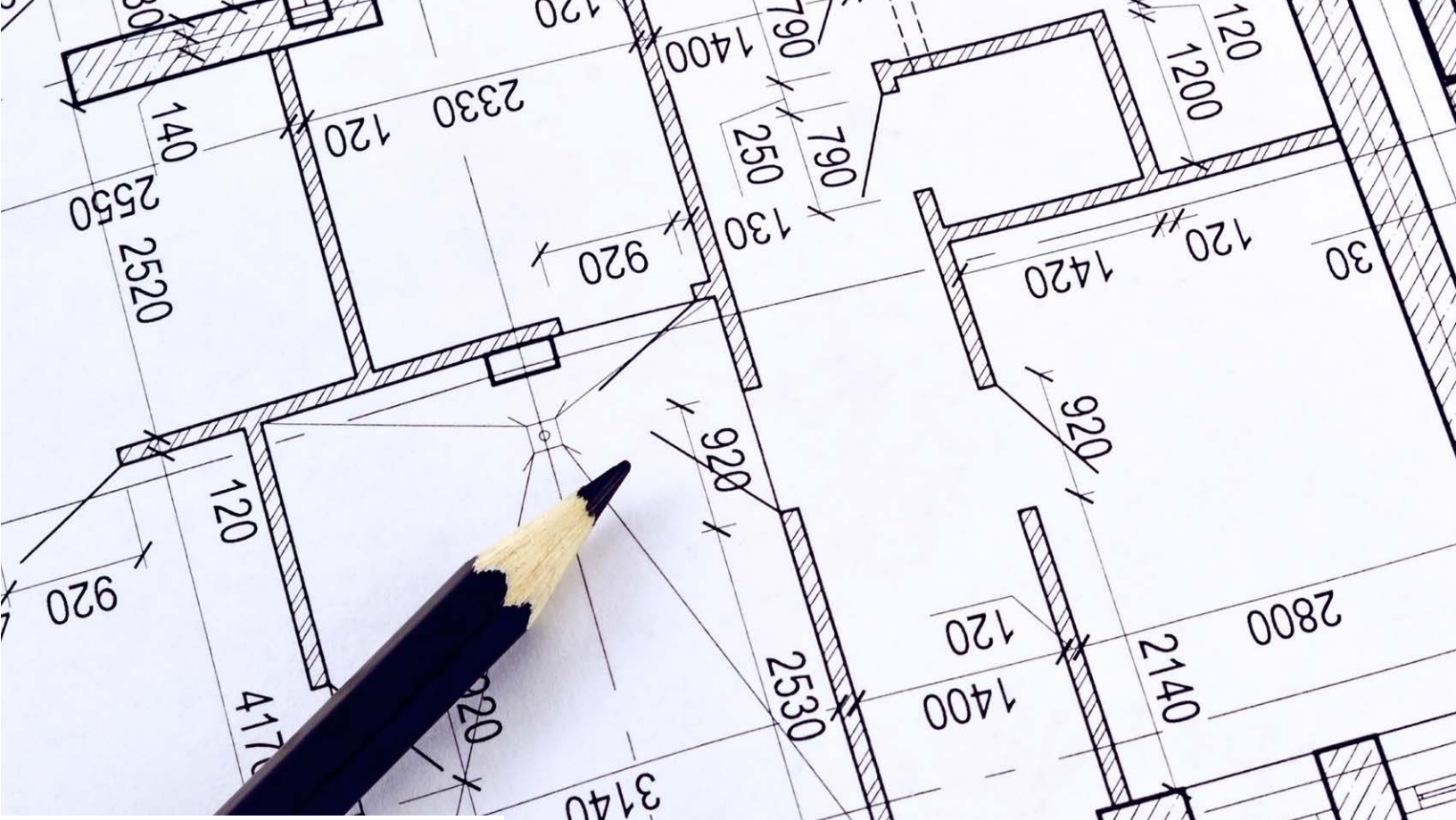


Half mortise - Swing clear



Full mortise - Swing clear

OTHER TYPES AND SIZES ARE AVAILABLE ON REQUEST. MINIMUM QUANTITIES REQUIRED.



LAWRENCE[®]
HARDWARE



3D ADJUSTABLE HINGE



3D Adjustable Concealed Hinge

These hinges are continuously adjustable for height, side and closing pressure.
For a truly flush panel appearance this hinge will be the delight of architects and designers alike.



LH-AH01

- Up to 40kg/2pcs. (88 lbs.)
- Features and technical data
- For wood doors and frames
- Concealed installation
- Easy to adjust
- 23.5 wide x 95mm high
- Up to 180 degree opening angle
- Up to 900 X 2000mm door size
- Minimum 35mm door
- Adjustment +/- 1.5mm
- Note: handed item



LH-AH02

- Up to 60kg/2pcs. (132 lbs.)
- Features and technical data
- For wood doors and frames
- Concealed installation
- Easy to adjust
- 28.8 wide x 111mm high
- Up to 180 degree opening angle
- Up to 1000 X 2000mm door size
- Minimum 40mm door
- Adjustment +/- 1.5mm
- Note: handed item



LH-AH03

- Up to 80kg/2pcs. (176 lbs.)
- Features and technical data
- For wood doors and frames
- Concealed installation
- Easy to adjust
- 28 wide x 160mm high
- Up to 180 degree opening angle
- Up to 1000 X 2000mm door size
- Minimum 36mm door
- Adjustment +/- 3.0mm
- Shown less faceplate



LH-AH05

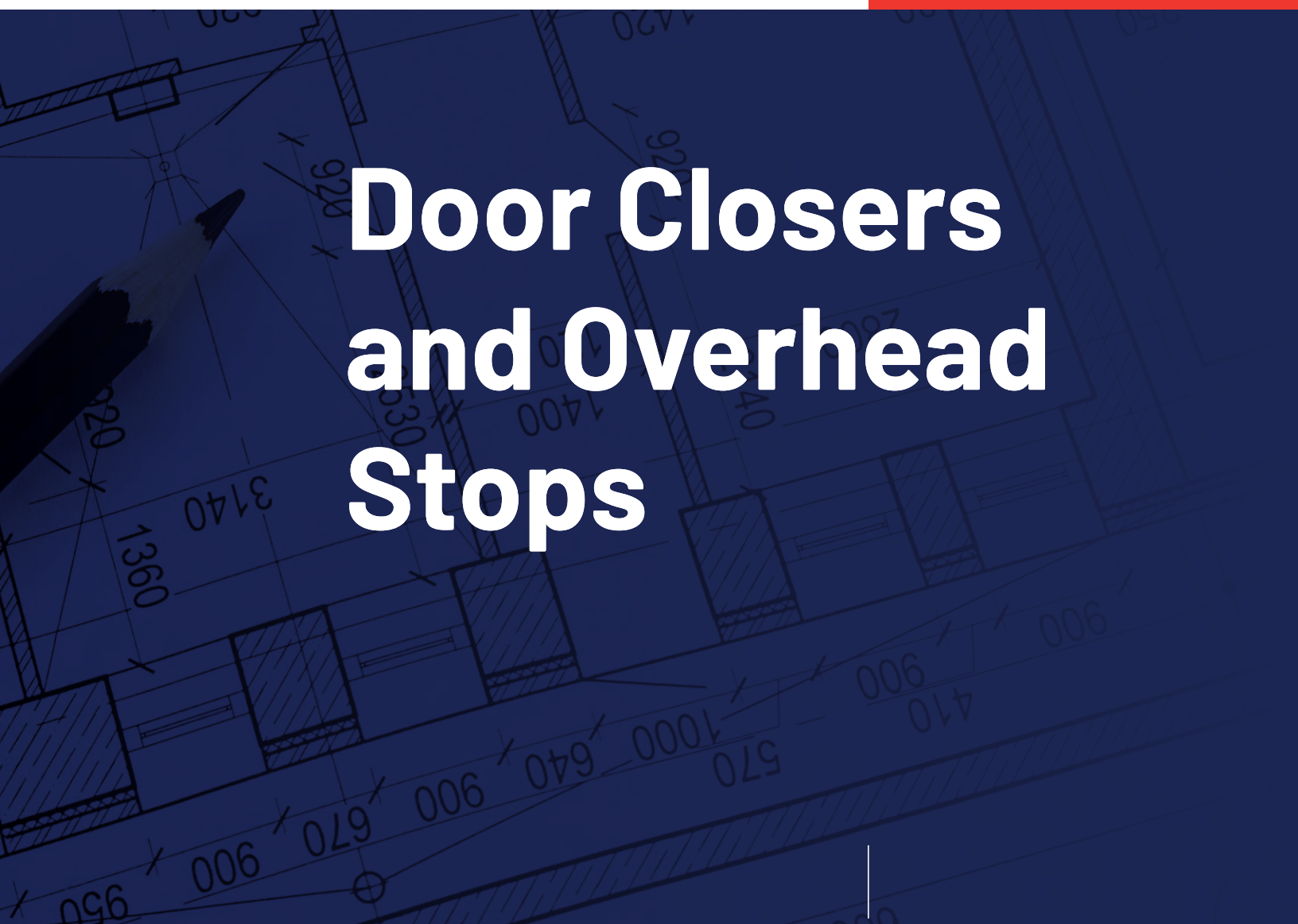
- Up to 120kg/2pcs. (264 lbs.)
- Features and technical data
- For wood doors and frames
- Concealed installation
- Easy to adjust
- 32 wide x 200mm high
- Up to 180 degree opening angle
- Up to 1000 X 2000mm door size
- Minimum 40mm door
- Adjustment +/- 3mm



LAWRENCE

S E C T I O N

2



**Door Closers
and Overhead
Stops**

DOOR CLOSERS AND OVERHEAD STOPS

DOOR CLOSERS

- LH303 39
- LH503BC/LH534BC 39
- LH5016 40
- LH816BCDA 40
- LH8016BCDA 41
- ARM41 Hold Open Arm 42
- CSA40 Cush Stop Arm 42
- DPPA35 Drop Plate 43
- DPSS32 Drop Plate 43
- DPSS33 Drop Plate 43
- DPSS34 Drop Plate 44
- SNBAL Sex Nuts 44
- LHO44Hold Open Arm 45
- LHD42 Heavy Duty Arm 45
- Spring Cush Arm 46
- Spring Hold Cush Arm 46
- Stainless Steel Cover 47
- DP816 Drop Plate 47
- DPPA816 Drop Plate 47
- Extended Rod and Shoe 48
- LHCHST 816 Cush Stop Arm 48
- LHCHSTHD 816 Cush Stop Hold Arm 49
- LHHOA816 Hold Open Arm 49
- LH816 Track Arm (Pull Side Only) 50
- 800 Series Stainless Steel Cover 50
- LH6900S and 6900C Overhead Stops 51**
 - LH6900S (Surface Mounting) 51
- Fully Concealed Door Closer 51**
 - LHDH30 51
 - LH6900C (Concealed Mounting) 51



LAWRENCE[®]
HARDWARE



DOOR CLOSERS





LH303

- Medium Duty Closer
- Ideally suited for suite entry doors and light commercial
- Cast aluminum body
- Tri-packed (regular, top jamb ,and parallel arm mount)
- Two valves regulate closing and latching speed
- Finishes: Aluminum (AL), Bronze (DU), Brass (PB)
- Warranty - 5 years

Certification:

- UL 10C listed - Positive pressure fire tests of door assemblies
- Approved to be used for ANSI/NFPA 80 fire rated opening up to & including 3 hr.
- CAN/ULC-S133 listed - Door Closers intended for use with Swinging Doors
- Conforms to BHMA / ANSI A156.4 Grade 2

Footprint H:1-5/8" (41mm)

W: 7-1/8" (181mm)

Projection: 2-3/8" (60mm)

See template for the hole dimensions



LH503BC/LH534BC

- Medium Duty Closer
- Ideally suited for commercial use
- Cast aluminum body
- Back check - Standard
- Size 3 (503) and size 4 (534) available
- Tri-packed (regular, top jamb, and parallel arm mount)
- Two valves regulate closing and latching speed
- Finishes: Aluminum (AL), Bronze (DU), Brass (PB).
- Warranty - 5 years

Certification:

- UL 10C listed - Positive pressure fire tests of door assemblies
- Approved to be used for ANSI/NFPA 80 fire rated opening up to & including 3 hr.
- CAN/ULC-S133 listed - Door Closer intended for use with Swinging Doors
- Conforms to BHMA / ANSI A156.4 Grade 2

Footprint H:1-5/8" (41mm)

W: 8-7/8" (225mm)

Projection: 2-7/8" (73mm)

See template for the hole dimensions



LH5016

- Medium/Heavy Duty Closer
- Ideally suited for commercial use
- Cast aluminum body
- Adjustable Size 1 - 6
- Back check (BC) - Standard
- Three valves regulate closing, latching speed and back check.
- Tri-packed (regular, top jamb and parallel arm mount)
- Non handed
- Finishes: Aluminum (AL), Bronze (DU), Black(BLK)
- Plastic Cover - Optional
- Warranty - 20 years

Certification:

- UL 10C listed - Positive pressure fire tests of door assemblies
- CAN/ULC-S133 listed - Door Closers intended for use with Swinging doors
- BHMA Certified ANSI A156.4 Grade 1 to 1,500,000 cycles
- Approved to be used for ANSI/NFPA 80 fire rated opening up to & including 3 hr.
- Size 1 conforms to ADA requirement

Footprint H:1-3/4" (44mm)

W: 9-5/8" (244mm)

Projection: 2-3/4" (70mm)

See template for the hole dimensions



LH816BCDA

- Medium /Heavy Duty Closer
- Suitable for schools, hospitals and other higher traffic application
- Adjustable Size 1 - 6
- Tri-packed (regular, top jamb, and parallel arm mount)
- Track arm, hold open and cushion stop available
- 3 valves regulate closing, latching speed and back check
- Additional DA and BC values are standard
- Finishes: Aluminum (AL), Bronze (DU), Black (BLK)
- Standard Plastic cover
- Optional Steel cover finishes include C32D and C26
- Warranty - 20 years

Certification:

- UL 10C listed - Positive pressure fire tests of door assemblies
- CAN/ULC-S133 listed - Door Closers intended for use with Swinging doors
- BHMA Certified ANSI A156.4 Grade 1 to 1,500,000 cycles
- Approved to be used for ANSI/NFPA 80 fire rated opening up to & including 3 hr.
- Size 1 conforms to ADA requirement

Footprint H:2-7/8" (73mm)

W: 13-1/16" (332mm)

Projection: 2-1/8" (54mm)

See template for the hole dimensions

CAUTION: Door Closers for Low Opening Force Applications: Door closers installed in openings required to meet the requirements of the Americans With Disabilities Act or ANSI/BHMA

Standard A117.1, when adjusted to meet those requirements, may not provide adequate closing power to dependably close and latch the door.

Note: Hold open feature is not suited for fire rated door application

**LH8016BCDA**

- Heavy Duty Closer
- Suitable for educational, healthcare, main entrances and other high traffic application where maximum control of the door is required
- Adjustable Size 1 - 6
- DA (Delayed Action) and BC (Back check) - Standard
- Four valves regulate closing, latching speed, delayed action & back check
- Tri-packed (regular, top jamb and parallel arm mount)
- Track arm, hold open and cushion stop available
- Non-handed
- Finishes: Aluminum (AL), Bronze (DU), Black (BLK)
- Plastic cover - Standard
- Optional Steel cover finishes include C32D and C26.
- Warranty - 20 years

Certification:

- UL 10C listed - Positive pressure fire tests of door assemblies
- CAN/ULC-S133 listed - Door Closers intended for use with Swinging Doors
- BHMA Certified ANSI A156.4 Grade 1 to 1,500,000 cycles
- Approved to be used for ANSI/NFPA 80 fire rated opening up-to & including 3 hr
- Size 1 conforms to ADA requirement

Note: Hold open feature is not suited for fire rated door application

CAUTION: Door Closers for Low Opening Force Applications:

Door closers installed in openings required to meet the requirements of the Americans With Disabilities Act or ANSI/BHMA Standard A117.1, when adjusted to meet those requirements, may not provide adequate closing power to dependably close and latch the door.

Footprint H: 3-1/2" (89mm)

W: 12-1/4" (311mm)

Projection: 2-1/4" (57mm)

See template for the hole dimensions



ARM41 HOLD OPEN ARM

- Optional arm provides hold open function with templated stop/hold open. Points. Handle controls hold open Function
- Not for fire rated doors



CSA40 CUSH STOP ARM

- Optional, non-handed parallel arm features solid main arm and forearm with stop in soft shoe.



DPPA35 DROP PLATE

- Required for parallel arm mounting where top rail is less than 5-1/2", measured from the stop. Plate requires 2" minimum top rail.



DPSS32 DROP PLATE

- Required for hinge side mount where top rail is less than 3-3/4". Plate requires 2" minimum top rail.



DPSS33 DROP PLATE

- Required for push side mount with flash ceiling



DPSS34 DROP PLATE

- Centres top jamb mounted closer vertically on head frame where face is less than 3-1/2". Plate requires 1-3/4" minimum head frame.



SNBAL SEX NUTS

- Come standard on 8016 closer optional for 816 and 5000 series closer



LH044HOLD OPEN ARM

- Optional, non handed with friction hold open
- Not for fire rated doors



LHHD42 HEAVY DUTY ARM

- Non-handed parallel arm features forged, solid steel main and forearm for abusive installations.



SPRING CUSH ARM

- Optional, non-handed parallel arm for abusive applications such as education & healthcare
- Solid forged steel main and forearm construction
- Field reversible spring mechanism on the soffit shoe
- Spring softens the dead stop associated with regular cush arms
- Available for: LH5016, LH816 and LH8016 closers. Please specify when ordering.
- Available AL & DU



SPRING HOLD CUSH ARM

- Solid forged steel main and forearm construction
- Selectable hold open feature actuated by turning "T" handle
- Field reversible spring mechanism on the soffit shoe
- Spring softens the dead stop associated with regular cush arms
- Optional, non-handed parallel arm for abusive applications such as education & healthcare
- Available for: LH5016, LH816 and LH8016 closers
- Not for fire rated doors

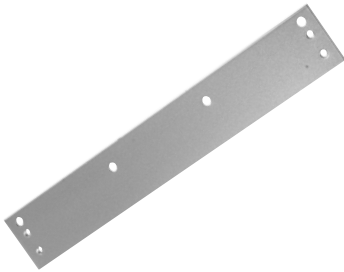
STAINLESS STEEL COVER

- Optional, non-handed



DP816 DROP PLATE

- Required for hinge side mount where top rail is less than 2-1/2". Required for top jamb mounting where head frame is less than 1-3/4" or flush ceiling exists.
- Plate requires minimum 1-1/2" top rail or 1-1/4" head frame.



DPPA816 DROP PLATE

- Required for parallel arm mounting where top rail is less than 4-3/8", measured from the stop.
- Plate requires 1-3/4" minimum top rail.





EXTENDED ROD AND SHOE

- For top jamb mounts with deep reveals.
- Made to order
- Please advise overall length required



LHCHST 816 CUSH STOP ARM

- Optional, non-handed parallel arm features solid forged steel main arm and forearm with stop in soffit shoe.



LHCHSTHD 816 CUSH STOP HOLD ARM

- Optional, non-handed parallel arm features solid forged steel main and forearm. Provides hold open function with templated stop/hold open points handle controls hold open function.



LHH0A816 HOLD OPEN ARM

- Optional non handed arm with hold open adjustable at shoe

LH816 TRACK ARM (PULL SIDE ONLY)

- Universal slim line single lever track arm designed for interior use on narrow head frames and top rails



800 SERIES STAINLESS STEEL COVER

- Optional, non-handed stainless steel cover provides complete enclosure.



LH6900S and 6900C Overhead Stops

Provides hold open function with templated stop/hold open points.

FEATURES

- Heavy duty construction
- Selectable hold open or stop only
- Determine degree of opening, 85 - 110 from template
- for use on doors 24"-48"
- Internal spring cushions door
- Specify LH 6900S (Surface) or LH6900C (Concealed) on your next project
- Stocked in C32D

CERTIFICATION

- UL10C Listed - Positive Pressure Fire Test of Door Assemblies rated up-to 3 hrs. for hollow metal doors

LH6900S (SURFACE MOUNTING)



LH6900C (CONCEALED MOUNTING)



Fully Concealed Door Closer

LHDH30

- Single lever arm and roller assembly
- Complete concealment in the door
- Size 3 ideally suited to 3' x 7'-8' Doors
- Aluminum finish
- Designed for 1-3/4" doors
- Two valves regulate closing & latching speed
- Listed to UL 228, "Door Closers-Holders, With or Without Integral Smoke Detectors"
- Listed to CAN/ULC-S133, "Door Closers Intended for Use with Swinging Doors."
- Non handed
- Optional hold open (not for fire rated openings)
- Up-to 150 lbs doors
- Warranty - 5 years





LAWRENCE

S E C T I O N

3

**Exit Devices
and Mullions**

SECTION 3 EXIT DEVICES

EXIT DEVICES AND MULLIONS

EXIT DEVICES 8000 SERIES

Exit Device Applications	56
• 8500 Series (Narrow Stile)	57
• 8600 Series (Wide Stile)	57
• 8700 Series (Narrow Stile)	58
• 8800 Series (Wide Stile)	58
Rim Exit Devices	59
• 8610S (smooth)/8810S (grooved)	59
• 8610F (smooth)/8810F (grooved)	59
Mortise Lock Exit Devices	61
• 8620S (smooth)/8820S (grooved)	61
• 8620F (smooth)/8820F (grooved)	61
Surface Vertical Rod Exit Devices (SVR)	63
• 8630S (smooth)/8830S (grooved)	63
• 8630F (smooth)/8830F (grooved)	63
Concealed Vertical Rod Exit Devices (CVR)	65
• 8650S (smooth)/8850S (grooved)	65
• 8650F (smooth)/8850F (grooved)	65
LH8860S/LH8860F 3 Point Latching	67
Narrow Rim Exit Devices	69
• 8510S (smooth)/8710S (grooved)	69
• 8510F (smooth)/8710F (grooved)	69
Narrow Surface Vertical Rod Exit Devices (SVR)	71
• 8530S (smooth)/8730S (grooved)	71
• 8530F (smooth)/8730F (grooved)	71
Narrow Concealed Vertical Rod Exit Devices (CVR)	73
• 8550S (smooth)/8750S (grooved)	73
• 8550F (smooth)/8750F (grooved)	73
Wide Stile Device Length 8600/8800 Series	75
Sex Nuts and Bolts (SNB)	76
• 618	76
• 623	76
• 630	76
• Accessories Shim Kits 8000 Series	77
Rim Strikes	78
• Mullion Strikes	78
• 801	78
• 688	78
• 802	78
• 689	78
Vertical Rod Strikes	79
• TOP STRIKES SVR	79
• BOTTOM STRIKES (FLOOR STRIKES)	79
• 812	79
• 813	79
• 815	79
• 822	79
• 823	79
• 825	79
Mortise Strikes	80
• STANDARD LIP	80
• SHORT LIP	80
Double Door Strike (Sold separately)	80
• 720	80
• 818	80
• 831	80
• 828	80
• 832	80

Model 83L Escutcheon Levers (Flat Top Escutcheon) For 8500/8700 Series (Narrow Stile)	82
Model 88L and 88E Series Escutcheon Levers (Flat Top & Bottom Escutcheon)	83
Model 89L and 89E Series Escutcheon Levers (Radius Top & Bottom Escutcheon)	84
Model 88L / 89L and 88E / 89E Series Escutcheon Levers	85
• Optional Lever Designs	85
• 01 Standard	85
• 02	85
Model 88L / 89L and 88E / 89E Series Escutcheon Levers	86
• Optional Lever Designs	86
• 05	86
• 17	86
Model 87P & 87E Series Pull Plates (Radius Top and Bottom Plate)	87
Model 86P and 86E Series Pull Plates (Flat Top and Bottom Plate)	88
Model 85P Series Pull Plates (Narrow, Radius Top and Bottom Plate)	90
Model 84P Series Pull Plates (Narrow, Flat Top & Bottom Plate)	91
Model SF801 Series Levers with Round Roses	92
Model 7200 Fire-Rated Keyed Removable Mullion	93
Mullion Brackets	94
• 752F Top	94
Strikes (Sold Separately)	94
• 688	94
• 755F (bottom)	94
• 689	94
Fire Latch Bolt (FLO01)	95
Dogging options	96
• Less Dogging (LD)	96
• Cylinder Dogging (CD)	96
Cylinder Options	97
Mortise Cylinder	97
• Standard Type	97
• Interchangeable Core (SFIC)	97
• Small Format Interchangeable Core (SFIC)	97
Rim Cylinder	97
• Standard Type	97
• Interchangeable Core (SFIC)	97
• LARGE FORMAT Interchangeable Core (LFIC)	97
Vandal Resistant Trim	98
Vandal Resistant Trim with Latchguard	99

EXIT DEVICES 5000 SERIES

5000 Series Economy Exit Devices	101
• Exit Device Applications	101
• 5000 Series Economy Exit Devices	101
5000 Series Economy Exit Devices	102
• 5510S Wide Stile Design Panic Rim Exit Device (Shown)	102
• 5510F Wide Stile Design Fire Rim Exit Device	102
• 5530S Wide Stile Design Panic SVR Exit Device (Shown)	102
• 5530F Wide Stile Design Fire SVR Exit Device	102
• 5610S Narrow Stile Design Panic Rim Exit Device	103
• 5630S Narrow Stile Design Panic SVR Exit Device	103
5500 Series Economy Exit Devices	104
• 5510S Wide Stile Design Panic Rim Exit Device - For Wide Stile and flush doors	104
• 5510F Wide Stile Design Fire Rim Exit Device - For Wide Stile Fire labelled doors	104
Strikes	104
• 531 Strike Shim	104
• 532 Panic Rim Strike	105
• 533 Fire Rim Strike	105
5500 Series Economy Exit Devices	106

SECTION 3 EXIT DEVICES

- 5530S Wide Stile Design Panic SVR Exit Device - For Wide Stile and flush doors106
- 5530F Wide Stile Design Fire SVR Exit Device - For Wide Stile Fire labelled doors*106
- Strikes 106**
 - 534 Top Strike106
 - 537 Bottom Strike106
- 5500 Series Device Length 108**
 - Short 36"108
 - Long 48"108
- 5600 Series Devices 109**
 - Model 5610S Panic-Rated Rim Exit Device - For Narrow Stile Exit Door Use109
- Strikes 109**
 - 531 Strike Shim109
 - 532 Panic Rim Strike109
 - Model 5630S Panic-Rated SVR Exit Device - For Narrow Stile Exit Door Use111
- Strikes 111**
 - 534 Top Strike111
 - 537 Bottom Strike111
 - Part Names 5000 Series113
 - Model 58L Series Escutcheon Levers114
 - Optional Lever Designs115
- Model 57P SERIES PULL PLATES (FLAT TOP AND BOTTOM PLATE) 116**
 - Model 52R Series Raised Lip Style Pull Plates117
 - Model 53L Series Levers with Round Roses118
- Rim Strike 119**
 - 531119
 - 532119
 - 533119
- Vertical Rod Strike 120**
 - 534 Top Strike120
 - 537 Bottom Strike120
- Double Door Strike (Sold Separately) 121**
 - 5000 Series Shim Kits121
 - 710121
 - 5000 Series Double Door Applications122
 - 5530F Series LBR123
 - Fire Latch Bolt (FLO01)123
- Cylinder Options 124**
- Mortise Cylinder 124**
 - Standard Type124
 - Interchangeable Core (SFIC)124
 - Small Format Interchangeable Core (SFIC)124
- Rim Cylinder 124**
 - Standard Type124
 - Interchangeable Core (SFIC)124
 - LARGE FORMAT Interchangeable Core (LFIC)124



LAWRENCE[®]
HARDWARE



EXIT DEVICES 8000 SERIES



Exit Device Applications

Exit Device (also known as panic device or panic hardware) is terminology used in architectural hardware. It is a type of lock having a push bar (also known as a push pad, push rail or touch bar). When the push bar is depressed it will retract the latch bolt (s), therefore, permitting the door to be opened in the direction of travel. An Exit Device is a critical part of the Fire, Life Safety and security in all types of buildings.

Exit Devices have two classifications: Panic Hardware and Fire Exit Hardware. Both are designed to provide immediate egress. All Lawrence Hardware Exit Devices are tested and listed by an authorized, nationally recognized independent test laboratory. All Lawrence Exit Devices meet or exceed ANSI/BHMA A156.3 specifications.

Lawrence Hardware 8000 Series Exit Devices are suitable for use in the following types of buildings:

Office building	Apartments
Retail Store	Multi Family Buildings
Healthcare	Stadiums
Factories	Gymnasiums
Parking Garages	Hospitality
Education	Restaurants

Our 8000 Series Exit Devices are of superior quality and performance. These heavy duty devices are designed to exceed standards. The 8000 series has a modern look and are suitable for heavy traffic applications. The 8000 Series are Underwriters Laboratories (UL, and cUL) listed for Panic Exit Hardware or Fire Exit Hardware and certified as ANSI/BHMA Grade 1.

FEATURES

- All devices are non-handed
- The centre case is multi functional
- Pressure along any part of the touch pad will retract latch bolt
- Auxiliary guarded latch deadlocks automatically when door closes
- High shock resistant latching mechanism designed for protection from vandalism or forced entry
- All inside components are made of rust resistant alloy or zinc dichromate plated steel
- In addition to the finishes listed in this catalogue other architectural finishes and powder coats are available options
- For Panic hardware users have the option of hex key (standard) or cylinder dogging (special order). This allows for the convenience of push pull operation during peak traffic times.

The 8000 Series is a heavy duty modern push bar design that offers two external surface styles: smooth device body (optional) and grooved device body (standard). The 8500 and 8600 Series feature a smooth device body. The 8700 and 8800 Series are grooved device bodies. These two styles feature rugged performance and elegant appearance. The two styles are uniform in dimensions and mechanical construction. The two different styles provide a choice for architects and end users.

8500 SERIES (NARROW STILE)

Smooth device body (Non Stock)

**8600 SERIES (WIDE STILE)**

Smooth device body (Non Stock)



8700 SERIES (NARROW STILE)

Grooved device body



8800 SERIES (WIDE STILE)

Grooved device body



Rim Exit Devices

The Lawrence Hardware 8600/8800 series has a full line of heavy duty wide stile Panic and Fire Rated Exit hardware. This series is the perfect choice for safety, security, durability and modern appearance.

8610S (SMOOTH)/8810S (GROOVED)

Panic Rated Rim Exit Devices



8610F (SMOOTH)/8810F (GROOVED)

Fire Rated Rim Exit Devices



CERTIFICATION

UL/cUL Listed: Listing for Panic Exit Hardware and 3 Hour rating for Fire Exit Hardware
ANSI/BHMA Certified: Devices are A156.3 Grade 1. (8610S, 8810S conform to Grade 1)

APPLICATIONS

8610S (smooth, extended lead time)/8810S (grooved) Rim Exit Devices are used for all types of single and double door applications with mullion.

8610F (smooth, extended lead time)/8810F (grooved) Fire Rated Rim Exit Devices are used for listed fire labeled single doors up to 4' x 10' (1219mm x 3048mm) or 8' x 10' (2438mm x 3048mm) double doors with mullion.

FINISHES

Lawrence Hardware Exit Devices are available in the following architectural finishes: C3, C10B, C19, C26D and C32D.

SPECIFICATIONS

Device Lengths	Short (36") actual end to end length 33-1/2" (850mm) Long (48") actual end to end length 45-1/2" (1137mm)
Door Widths	Short (36") for 29" to 36" (736mm to 914mm) door size Long (48") for 33" to 48" (838mm to 1219mm) door size
Minimum Stile Width	4-1/4" (107mm)
Latch Bolt	3/4" (19mm) throw, deadlocking design
Strikes	801 (Panic), 802 (Fire)
Dogging	Panic Device - Hex Key Dogging (RD) standard Fire Exit device - No Dogging (ND)
Dogging Options	Cylinder Dogging (CD) Less Dogging (LD)
Fasteners	Panic Device - Machine screws furnished standard for HMD. For wood doors sex nuts and bolts (SNB) can be ordered separately Fire Exit Device - Sex nuts and bolts (SNB) supplied standard
Mounting Height	Standard device centreline from finished floor is 40" (1016mm)
Projection	Push bar Neutral 3-1/16" (78mm). Push bar Depressed 2-19/32" (66mm)



801



802

Mortise Lock Exit Devices

The Lawrence Hardware 8600/8800 series has a full line of heavy duty wide stile Panic and Fire Rated Exit hardware. This series is the perfect choice for safety, security, durability and modern appearance.

8620S (SMOOTH)/8820S (GROOVED)

Panic Rated Mortise Lock Exit Devices



8620F (SMOOTH)/8820F (GROOVED)

Fire Rated Mortise Lock Exit Devices



CERTIFICATION

UL/cUL Listed: Listing for Panic Exit Hardware and 3 Hour rating for Fire Exit Hardware
ANSI/BHMA Certified: Devices are A156.3 Grade 1. (8620S, 8820S conform to Grade 1)

APPLICATIONS

8620S (smooth, extended lead time)/8820S (grooved) Mortise Exit Devices are used for all types of single and double door applications with mullion.

8620F (smooth, extended lead time)/8820F (grooved) Fire Rated Mortise Exit Devices are used for listed fire labeled single doors up to 4' x 10' (1219mm x 3048mm) or 8' x 10' (2438mm x 3048mm) double doors with mullion.

FINISHES

Lawrence Hardware Exit Devices are available in the following architectural finishes: C3, C10B, C19, C26D and C32D.

SPECIFICATIONS

Device Lengths	Short (36") actual end to end length 33-1/2" (850mm) Long (48") actual end to end length 45-1/2" (1137mm)
Door Widths	Short (36") for 29" to 36" (736mm to 914mm) door size Long (48") for 33" to 48" (838mm to 1219mm) door size
Minimum Stile Width	4-1/4" (107mm)
Latch Bolt	Stainless steel two piece mechanical 3/4" (19mm) with anti friction insert and auxiliary deadlocking latch
Strikes	Universal curved lip, non handed, 818 (Panic), 828 (Fire). Optional 831 (panic) or 832 (fire) flat ANSI Strike
Dogging	Panic Device - Hex Key Dogging (RD) standard Fire Exit device - No Dogging (ND)
Dogging Options	Cylinder Dogging (CD) Less Dogging (LD)
Fasteners	Panic Device - Machine screws furnished standard for HMD. For wood doors sex nuts and bolts (SNB) can be ordered separately Fire Exit Device - Sex nuts and bolts (SNB) supplied standard
Mounting Height	Standard device centreline from finished floor is 40" (1016mm)
Projection	Push bar Neutral 3-1/16" (78mm). Push bar Depressed 2-19/32" (66mm)



818



828



831



832

Surface Vertical Rod Exit Devices (SVR)

The Lawrence Hardware 8600/8800 series has a full line of heavy duty wide stile Panic and Fire Rated Exit hardware. This series is the perfect choice for safety, security, durability and modern appearance.



8630S (SMOOTH)/8830S (GROOVED)

Panic Rated SVR Exit Devices



8630F (SMOOTH)/8830F (GROOVED)

Fire Rated SVR Exit Devices

CERTIFICATION

UL/cUL Listed: Listing for Panic Exit Hardware and 3 Hour rating for Fire Exit Hardware
ANSI/BHMA Certified: Devices are A156.3 Grade 1.

APPLICATIONS

8630S (smooth, extended lead time)/8830S (grooved) SVR Exit Devices are used primarily for double door applications
8630F (smooth, extended lead time)/8830F (grooved) Fire Rated SVR Exit Devices are used for listed fire labeled double doors up to 8' x 10' (2438mm x 3048mm)

FINISHES

Lawrence Hardware Exit Devices are available in the following architectural finishes: C3, C10B, C19, C26D and C32D.

SPECIFICATIONS

Device Lengths	Short (36") actual end to end length 33-1/2" (850mm) Long (48") actual end to end length 45-1/2" (1137mm)
Door Widths	Short (36") for 29" to 36" (736mm to 914mm) door size Long (48") for 33" to 48" (838mm to 1219mm) door size
Minimum Stile Width	4-1/4" (107mm)
Latch Bolt	Top latch - 5/8" (16mm) throw. Bottom latch - 5/8" (16mm) throw. Held in retracted position during door swing
Strikes	Top - 812 (panic), 822 (fire) Bottom - 815 (panic), 825 (fire)
Dogging	Panic Device - Hex Key Dogging (RD) standard Fire Exit device - No Dogging (ND)
Dogging Options	Cylinder Dogging (CD) Less Dogging (LD)
Fasteners	Panic Device - Machine screws furnished standard for HMD For wood doors sex nuts and bolts (SNB) can be ordered separately Fire Exit Device - Sex nuts and bolts (SNB) supplied standard
Mounting Height	Standard device centreline from finished floor is 40" (1016mm)
Door Opening Height	Available for Standard door height of 7' or 8'
Vertical Rods	1/2" (13mm) diameter tubular with rod guides. Top rod has two pieces for accommodating 7' or 8' doors Bottom rod is one piece with a length of 31-1/4" (794mm)
Projection	Push bar Neutral 3-1/16" (78mm). Push bar Depressed 2-19/32" (66mm)



812



822



815



825

Concealed Vertical Rod Exit Devices (CVR)

The Lawrence Hardware 8600/8800 series has a full line of heavy duty wide stile Panic and Fire Rated Exit hardware. This series is the perfect choice for safety, security, durability and modern appearance.



8650S (SMOOTH)/8850S (GROOVED)

Panic Rated CVR Exit Devices



8650F (SMOOTH)/8850F (GROOVED)

Fire Rated CVR Exit Devices

CERTIFICATION

UL/cUL Listed: Listing for Panic Exit Hardware and 3 Hour rating for Fire Exit Hardware
ANSI/BHMA Certified: Devices are A156.3 Grade 1.

APPLICATIONS

8650S (smooth, extended lead time)/8850S (grooved) CVR Exit Devices are used primarily for double door applications
8650F (smooth, extended lead time)/8850F (grooved) Fire Rated CVR Exit Devices are used for listed fire labeled double doors up to 8' x 10' (2438mm x 3048mm)

FINISHES

Lawrence Hardware Exit Devices are available in the following architectural finishes: C3, C10B, C19, C26D and C32D.

SPECIFICATIONS

Device Lengths	Short (36") actual end to end length 33-1/2" (850mm) Long (48") actual end to end length 44-1/2" (1137mm)
Door Widths	Short (36") for 29" to 36" (736mm to 914mm) door size Long (48") for 33" to 48" (838mm to 1219mm) door size
Minimum Stile Width	4-1/4" (107mm)
Latch Bolt	Top latch - 5/8" (16mm) throw. Bottom latch - 5/8" (16mm) throw. Held in retracted position during door swing
Strikes	Top - 813 (panic), 823 (fire) Bottom - 815 (panic), 825 (fire)
Dogging	Panic Device - Hex Key Dogging (RD) standard Fire Exit device - No Dogging (ND)
Dogging Options	Cylinder Dogging (CD) Less Dogging (LD)
Fasteners	Panic Device - Machine screws furnished standard for HMD Fire Exit Device - Sex nuts and bolts (SNB) supplied standard
Mounting Height	Standard device centreline from finished floor is 40" (1016mm)
Door Opening Height	Available for Standard door height of 7' or 8'
Vertical Rods	1/2" (13mm) diameter tubular. Top rod has two pieces for accommodating 7' or 8' doors Bottom rod is one piece with a length of 31-1/4" (794mm)
Projection	Push bar Neutral 3-1/16" (78mm). Push bar Depressed 2-19/32" (66mm)



813



823

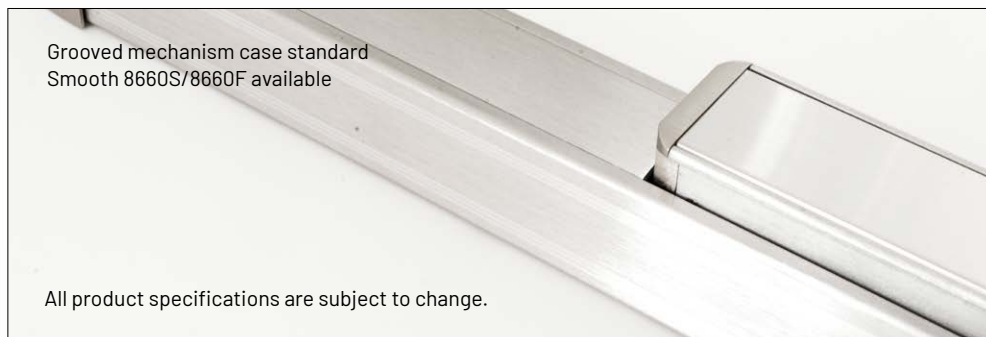


815



825

LH8860S/LH8860F 3 Point Latching



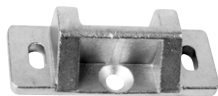
For all types of single and double doors
 UL listed for Panic (UL305) 3 hour Fire (UL10C) exit hardware
 Devices are ANSI/BHMA A156.3 Grade 1
 The 3 point latching device is none handed
 Rugged performance and elegant appearance

FINISHES

Lawrence Hardware Exit Devices are available in the following architectural finishes: C3, C10B, C19, C26D (Stock) and C32D.

SPECIFICATIONS

Device Lengths	Short (36") actual end to end length 33-5/32" (842mm) Long (48") actual end to end length 45-1/8" (1146mm)
Door Widths	(36") for 29" to 36" (736mm to 914mm) door size (48") for 33" to 48" (838mm to 1219mm) door size
Minimum Stile Width	4-1/4" (107mm)
Latch Bolt	Top latch - 5/8" (15mm) throw stainless steel Middle 3/4" (18mm) throw Deadlocking design stainless steel Bottom latch - 5/8" (16mm) throw. Held in retracted position during door swing
Dogging	Panic Device - Hex Key Dogging (RD) standard Fire Exit device - No Dogging (ND)
Dogging Options	Cylinder Dogging (CD) - Less Dogging (LD)
Fasteners	Panic Device - Machine screws furnished standard for HMD For wood doors sex nuts and bolts (SNB) can be ordered separately Fire Exit Device - Sex nuts and bolts (SNB) supplied standard
Mounting Height	Standard device centreline from finished floor is 40" (1016mm)
Door Opening Height	Available for Standard door height of 7' or 8'
Vertical Rods	1/2" (13mm) diameter tubular with rod guides. Top rod has two pieces for accommodating 7' or 8' doors Bottom rod is one piece with a length of 31-1/4" (794mm)
Projection	Push bar Neutral 3-1/16" (78mm). Push bar Depressed 2-19/32" (66mm)



802



822



825

Narrow Rim Exit Devices

The Lawrence Hardware 8500/8700 series has a full line of heavy duty wide stile Panic and Fire Rated Exit hardware. This series is the perfect choice for safety, security, durability and modern appearance. They are designed for use on contemporary glass aluminum doors.

8510S (SMOOTH)/8710S (GROOVED)

Narrow Panic Rated Rim Exit Devices



8510F (SMOOTH)/8710F (GROOVED)

Narrow Fire Rated Rim Exit Devices



CERTIFICATION

UL/cUL Listed: Listing for Panic Exit Hardware and 3 Hour rating for Fire Exit Hardware
ANSI/BHMA Certified: Devices are A156.3 Grade 1. (8510S, 8710S conform to Grade 1)

APPLICATIONS

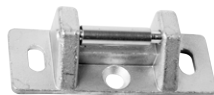
8510S (smooth, extended lead time)/8710S (grooved) Narrow Rim Exit Devices are used for narrow stile aluminum door applications. Narrow stile devices may also be used on wide stile doors for appearance.
8510F (smooth, extended lead time)/8710F (grooved) Fire Rated Rim Exit Devices are used for listed fire labeled single doors up to 4' x 8' (1219mm x 2438mm) or 8' x 8' (2438mm x 2438mm) double doors with mullion.

FINISHES

Lawrence Hardware Exit Devices are available in the following architectural finishes: C3, C10B, C19, C26D and C32D.

SPECIFICATIONS

Device Lengths	Short (36") actual end to end length 33-1/2" (850mm) Long (48") actual end to end length 45-1/2" (1137mm)
Door Widths	Short (36") for 29" to 36" (736mm to 914mm) door size Long (48") for 33" to 48" (838mm to 1219mm) door size
Minimum Stile Width	2-19/32" (66mm)
Latch Bolt	3/4" (19mm) throw, deadlocking design
Strikes	801 (Panic), 802 (Fire)
Dogging	Panic Device - Hex Key Dogging (RD) standard Fire Exit device - No Dogging (ND)
Dogging Options	Cylinder Dogging (CD) Less Dogging (LD)
Fasteners	Panic Device - Machine screws furnished standard. For wood doors sex nuts and bolts (SNB) can be ordered separately Fire Exit Device - Sex nuts and bolts (SNB) supplied standard
Mounting Height	Standard device centreline from finished floor is 40" (1016mm)
Projection	Push bar Neutral 3-1/16" (78mm). Push bar Depressed 2-19/32" (66mm)



801



802

Narrow Surface Vertical Rod Exit Devices (SVR)

The Lawrence Hardware 8500/8700 Series has a full line of heavy duty narrow stile Panic and Fire Rated Exit hardware. This series is the perfect choice for safety, security, durability and modern appearance.



8530S (SMOOTH)/8730S (GROOVED)

Narrow Panic Rated SVR Exit Devices



8530F (SMOOTH)/8730F (GROOVED)

Narrow Fire Rated SVR Exit Devices

CERTIFICATION

UL/cUL Listed: Listing for Panic Exit Hardware and 3 Hour rating for Fire Exit Hardware
ANSI/BHMA Certified: Devices are A156.3 Grade 1.

APPLICATIONS

8530S (smooth, extended lead time)/8730S (grooved) Narrow SVR Exit Devices are used primarily for double door applications on glass aluminum doors.
8530F (smooth, extended lead time)/8730F (grooved) Narrow Fire Rated SVR Exit Devices are used for appearance reasons on listed fire labeled double doors up to 8' x 8' (2438mm x 2438mm)

FINISHES

Lawrence Hardware Exit Devices are available in the following architectural finishes: C3, C10B, C19, C26D and C32D.

SPECIFICATIONS

Device Lengths	Short (36") actual end to end length 33-1/2" (850mm) Long (48") actual end to end length 45-1/2" (1137mm)
Door Widths	Short (36") for 29" to 36" (736mm to 914mm) door size Long (48") for 33" to 48" (838mm to 1219mm) door size
Minimum Stile Width	2-19/32" (66mm)
Latch Bolt	Top latch - 5/8" (16mm) throw. Bottom latch - 5/8" (16mm) throw. Held in retracted position during door swing
Strikes	Top - 812 (panic), 822 (fire) Bottom - 815 (panic), 825 (fire)
Dogging	Panic Device - Hex Key Dogging (RD) standard Fire Exit device - No Dogging (ND)
Dogging Options	Cylinder Dogging (CD) Less Dogging (LD)
Fasteners	Panic Device - Machine screws furnished standard for HMD and SNB furnished for top and bottom latches Optional (SNB) can be ordered separately for device Fire Exit Device - Sex nuts and bolts (SNB) supplied standard
Mounting Height	Standard device centreline from finished floor is 40" (1016mm)
Door Opening Height	Available for Standard door height of 7' or 8'
Vertical Rods	1/2" (13mm) diameter tubular with rod guides. Top rod has two pieces for accommodating 7' or 8' doors. Bottom rod is one piece with a length of 31-1/4" (794mm)
Projection	Push bar Neutral 3-1/16" (78mm). Push bar Depressed 2-19/32" (66mm)



812



822



815



825

Narrow Concealed Vertical Rod Exit Devices (CVR)

The Lawrence Hardware 8500/8700 Series has a full line of heavy duty narrow stile Panic and Fire Rated Exit hardware. This series is the perfect choice for safety, security, durability and modern appearance.



8550S (SMOOTH)/8750S (GROOVED)

Narrow Panic Rated CVR Exit Devices



8550F (SMOOTH)/8750F (GROOVED)

Narrow Fire Rated CVR Exit Devices



CERTIFICATION

UL/cUL Listed: Listing for Panic Exit Hardware and 3 Hour rating for Fire Exit Hardware
ANSI/BHMA Certified: Devices are A156.3 Grade 1.

APPLICATIONS

8550S (smooth)/8750S (grooved) Narrow CVR Exit Devices are used primarily for glass aluminum double door applications
8550F (smooth)/8750F (grooved) Narrow Fire Rated CVR Exit Devices are used primarily for appearance reasons for listed fire labeled double doors up to 8' x 8' (2438mm x 2438mm)

FINISHES

Lawrence Hardware Exit Devices are available in the following architectural finishes: C3, C4, C10, C10B, C26, C26D and C32D.

SPECIFICATIONS

Device Lengths	Short (36") actual end to end length 33-1/2" (850mm) Long (48") actual end to end length 45-1/2" (1137mm)
Door Widths	Short (36") for 29" to 36" (736mm to 914mm) door size Long (48") for 33" to 48" (838mm to 1219mm) door size
Minimum Stile Width	2-19/32" (66mm)
Latch Bolt	Top latch - 5/8" (16mm) throw. Bottom latch - 5/8" (16mm) throw. Held in retracted position during door swing
Strikes	Top - 813 (panic), 823 (fire) Bottom - 815 (panic), 825 (fire)
Dogging	Panic Device - Hex Key Dogging (RD) standard Fire Exit device - No Dogging (ND)
Dogging Options	Cylinder Dogging (CD) Less Dogging (LD)
Fasteners	Panic Device - Machine screws furnished standard for HMD and SNB furnished for top and bottom latches Optional (SNB) can be ordered separately for device Fire Exit Device - Sex nuts and bolts (SNB) supplied standard
Mounting Height	Standard device centreline from finished floor is 40" (1016mm)
Door Opening Height	Available for Standard door height of 7' or 8'
Vertical Rods	1/2" (13mm) diameter tubular. Top rod has two pieces for accommodating 7' or 8' doors Bottom rod is one piece with a length of 31-1/4" (794mm)
Projection	Push bar Neutral 3-1/16" (78mm). Push bar Depressed 2-19/32" (66mm)



813



823



815



825

MATERIAL

Wide and Narrow Stile Devices

Part Name

1. Auxiliary Guarded Latch	Stainless Steel
2. Latch Bolt, 3/4" (19mm) throw	Stainless Steel
3. Chassis Cover (Head Cover)	Nonferrous Alloy or Stainless Steel
4. Chassis	Plated Steel
5. Push Bar	Extruded Aluminum
6. Push Bar End Cap	Nonferrous Alloy
7. Push Bar Trim	Brass, Stainless Steel, Steel
8. Mechanism Housing (Device Body)	Extruded Aluminum
9. Dogging Plate (Rear Cover)	Extruded Aluminum
10. End Cap	Nonferrous Alloy
11. Top Latch, 5/8" (16mm) throw	Stainless Steel
12. Latch Assembly Cover	Brass, Stainless Steel, Steel
13. Top Vertical Rod and Rod Guide	Strong Aluminum Tube
14. Bottom Vertical Rod	Strong Aluminum Tube
15. End Cap Bracket	Plated Steel
16. Bottom Latch, 5/8" (16mm) throw	Stainless Steel

Wide Stile Device Length 8600/8800 Series

The Device lengths are precut for 36" (914mm) and 48" (1219mm) wide door use (standard shipping size).

THE SHORT DEVICE, 36"

(914mm) has an actual end to end length of 33-1/2" (850mm) suitable for a 36" (914mm) wide door use. Push pad length is 18-1/4" (464mm)

The short Device can be cut down to a minimum end to end size of:

Standard Device (S) 27" (686mm)

Fire Rated Device (F) 25-1/4" (641mm)

THE LONG DEVICE, 48"

(1219mm) has an actual end to end length of 45-1/2" (1156mm) suitable for a 48" (1219mm) wide door use. Push pad length is 21-1/2" (546mm)

The long device can be cut down to a minimum end to end size of:

Standard Device (S) 31" (787mm)

Fire Rated Device (F) 28-1/2" (724mm)

VERTICAL RODS

Our standard and fire rated vertical rod exit device accommodates up to 8' (2438mm) doors. Fire rated devices may be ordered for up to 10' (3048mm) fire exit doors. Specify door height if greater than standard 8' sizes when ordering.

Note: For fire rated devices consult door manufactures literature for maximum allowable door height & width.

End to end length

does not include latch bolt.

NARROW STILE DEVICE LENGTH 8500/8700 SERIES

The Device lengths are precut for 36" (914mm) and 48" (1219mm) wide door use (standard shipping size).

THE SHORT DEVICE, 36"

(914mm) has an actual end to end length of 34 1/4" (870mm) suitable for a 36" (914mm) wide door use. Push pad length is 18 1/4" (546mm)

The short Device can be cut down to a minimum end to end size of:

Standard Device (S) 27 (686mm)

Fire Rated Device (F) 25 1/4" (641mm)

THE LONG DEVICE, 48"

(1219mm) has an actual end to end length of 45" (1143mm) suitable for a 48" (1219mm) wide door use. Push pad length is 21-1/2" (456mm)

The long device can be cut down to a minimum end to end size of:

Standard Device (S) 32-1/2" (826mm)

Fire Rated Device (F) 31 (787mm)

VERTICAL RODS

Our standard and fire rated vertical rod exit device accommodates up to 8' (2438mm) doors. Fire rated devices may be ordered for up to 10' (3048mm) fire exit doors. Specify door height if greater than standard sizes when ordering.

Note: For fire rated devices consult door manufactures literature for maximum allowable door height & width.

End to end length does not include latch bolt.

Sex Nuts and Bolts (SNB)

SNB-For 1-3/4" Door

618



SNB-For 2-1/4" Door

623

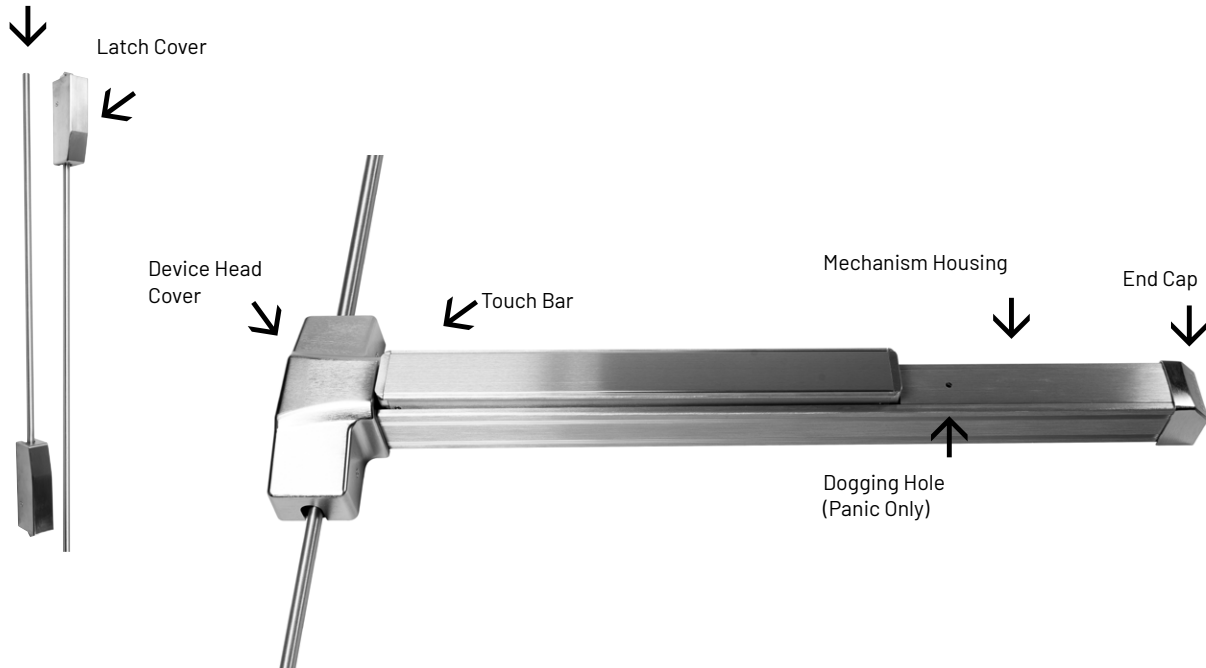


SNB-For 2-1/2" Door

630

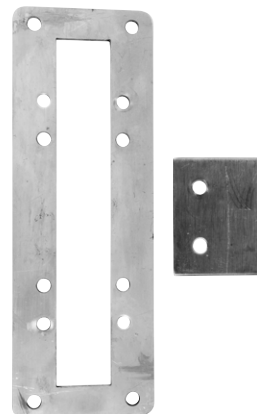


VERTICAL ROD



ACCESSORIES SHIM KITS 8000 SERIES

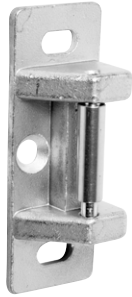
1/8 thick shim plates for use on door with glass bead. Foot print matches 8000 series. Devices as specified (8700 or 8800)



Rim Strikes

17/32"
(31mm)

3 1/4"
(83mm)

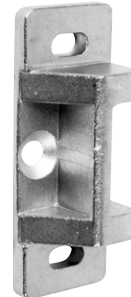


Projection: 13/16" (21mm)

801

17/32"
(31mm)

3 1/4"
(83mm)



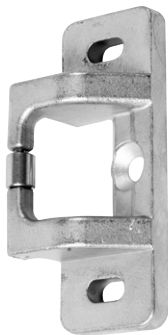
Projection: 13/16" (21mm)

802

MULLION STRIKES

17/32"
(31mm)

3 1/4"
(83mm)



Projection: 7/8" (22.5mm)

688

25/32"
(20.6mm)

3 5/16"
(85mm)



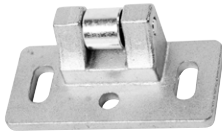
Projection: 7/8" (22.5mm)

689

Vertical Rod Strikes

TOP STRIKES SVR

1 1/8"
(29mm)



Projection: 29/32" (23mm)

2 1/2" (64mm)

812

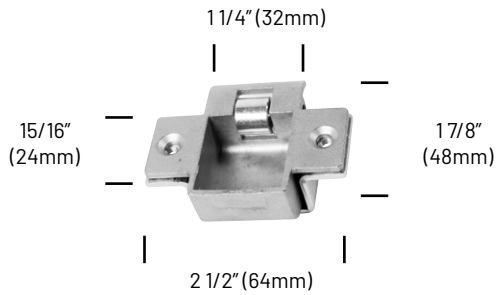
1 1/8"
(29mm)



Projection: 11/8" (29mm)

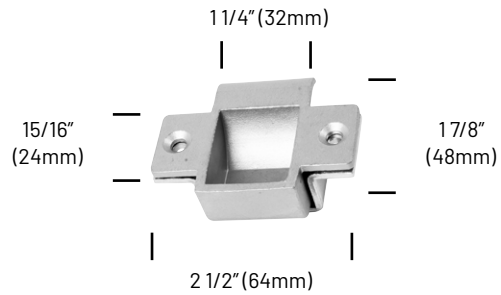
2 1/2" (64mm)

822



Mortise: 3/4" (19mm)

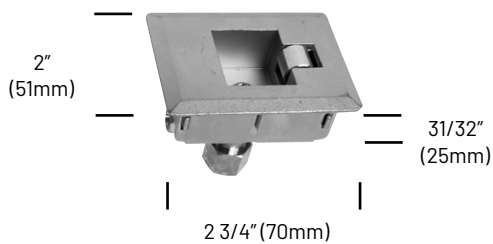
813



Mortise: 3/4" (19mm)

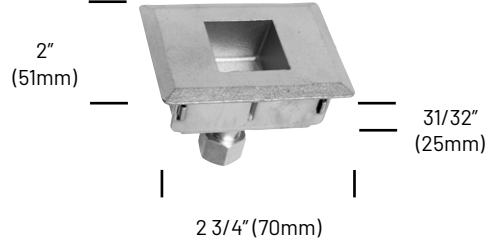
823

BOTTOM STRIKES (FLOOR STRIKES)



Mortise: 2 1/4" (57mm)

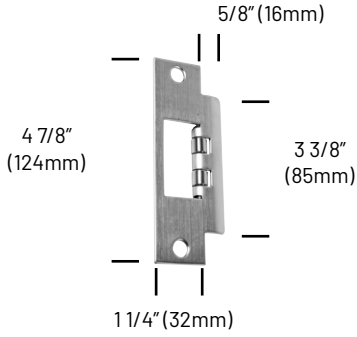
815



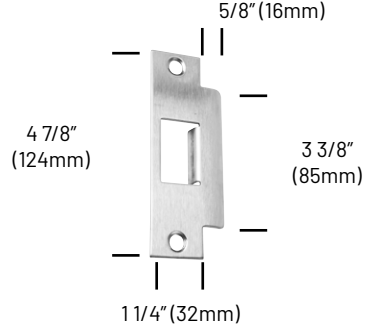
Mortise: 2 1/4" (57mm)

825

Mortise Strikes
STANDARD LIP

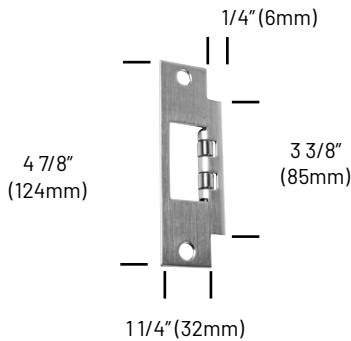


818

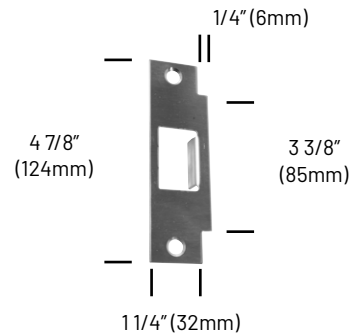


828

SHORT LIP

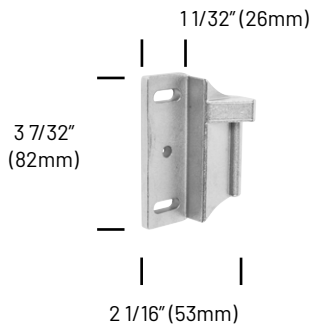


831



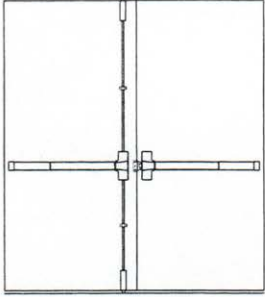
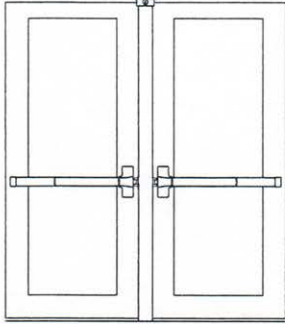
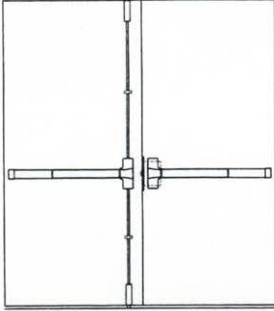
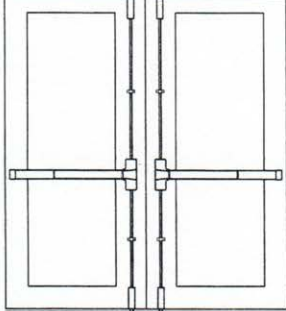
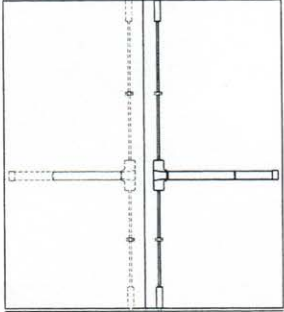
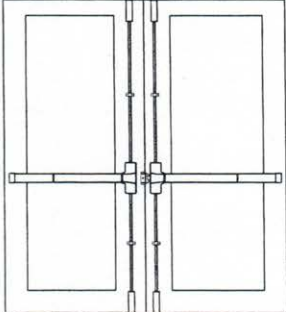
832

Double Door Strike (Sold separately)



720

Double Door Applications





 <p>Rim Device and SVR or CVR Device combination - same direction. Overlapping astragal is not required, but coordinator required with a double door strike.</p>	 <p>Two Rim Devices on 2-independent active doors with removable mullion.</p>
 <p>Mortise Lock Device & SVR Device Combination - same direction. Overlapping astragal is not required, but coordinator required with a standard ANSI strike.</p>	 <p>Two Surface Vertical Rod (SVR) or Concealed Vertical Rod (CVR) - same direction. Overlapping astragal is not required.</p>
 <p>Two Surface Vertical Rod (SVR) Devices - double egress. Overlapping astragal required or not required, option.</p>	 <p>SVR and Three-Latching Device combination - same direction. Overlapping astragal is not required, but coordinator required with a double door strike.</p>

Model 83L Escutcheon Levers (Flat Top Escutcheon) For 8500/8700 Series (Narrow Stile)

FEATURES

1. Non-handed trim is easy to install
2. Easy operating lever handle allows for convenient one hand operation
3. Available C19 (622), C32D (630) other finishes by special order
4. Escutcheon Trim has 2 through bolts connected to the device chassis for more security and durability.
5. Trims fit 1-3/4" (44mm) doors standard. For 2" (51mm), 2-1/4" (57mm) or any other than standard door thickness please specify door thickness when ordering
6. Cylinder sold separately

MODELS AND FUNCTIONS





Operation Options (Dummy trim is not recommended for fire rated devices)* 01 Standard Lever Shown	Key Locks and Unlocks Lever 	Lever Always Active (no Cylinder) 	Key Retracts Latchbolt (Rigid Lever) 	Pull When Device Dogged (Rigid Lever) 
Function	Classroom	Passage	Storeroom	Dummy*
Trim Designation	Cylinder Escutcheon Lever	Blank Escutcheon Lever	Night Latch Escutcheon Lever	Dummy Escutcheon Lever
Model number and uses	For Rim, Surface / Concealed Vertical Rod and LBR			
	83L01A	83L01B	83L01C	83L01D
Escutcheon Plate Size	7 7/8" x 1 5/8" x 13/16" (200mm x 42mm x 21mm)			
ANSI Function Number	8	14	3	2
Cylinder Type	Mortise	Not required	Rim	Not required

Model 88L and 88E Series Escutcheon Levers (Flat Top & Bottom Escutcheon)

FEATURES

1. Non-handed trim is easy to install
2. Easy operating lever handle allows for convenient one hand operation
3. Most popular 8 finishes to choose from: C3 (605), C10B (613), C19 (622), C26D (626), C28 (689), and C32D (630).
4. Escutcheon Trim has 4 through bolts connected to the device chassis for more security and durability.
5. Trims fit 1-3/4" (44mm) doors standard. For 2" (51mm), 2-1/4" (57mm) or any other non standard door thickness please specify door thickness when ordering.
6. 88L and 88E Escutcheons and levers are alloy cast.
7. Anti-Vandalism design prevents lock from damage. When key locks the lever is rigid and in the horizontal position.
8. Cylinder sold separately

MODELS AND FUNCTIONS

Operation Options	Key Locks and Unlocks Lever	Lever Always Active (no Cylinder)	Key Retracts Latchbolt (Rigid Lever)	Pull When Device Dogged (Rigid Lever)
(Dummy trim is not recommended for fire rated devices)*				
Function	Classroom	Passage	Storeroom	Dummy*
Trim Designation	Cylinder Escutcheon Lever	Blank Escutcheon Lever	Night Latch Escutcheon Lever	Dummy Escutcheon Lever
Model number and uses	For Rim, Surface / Concealed Vertical Rod and LBR			
	88L01A	88L01B	88L01C/RIM	88L01D
	For Mortise Lock Exit Devices Only			
	88E01A	88E01B	88E01C/Mortise	88E01D
Escutcheon Plate Size	9-7/16" x 2-15/16" x 13/16" (240mm x 75mm x 21mm)			
ANSI Function Number	8	14	3	2
Cylinder Type	Mortise	Not required	See Above	Not required





Note: Standard 01 Lever shown

Model 89L and 89E Series Escutcheon Levers (Radius Top & Bottom Escutcheon)

FEATURES

1. Non-handed trim is easy to install
2. Easy operating lever handle allows for convenient one hand operation
3. Most popular 8 finishes to choose from: C3 (605), C10B (613), C19 (622), C26D (626), US28 (689), and C32D (630). Escutcheon Trim has 4 through bolts connected to the device chassis for more security and durability. Trims fit 1-3/4" (44mm) doors standard. For 2" (51mm), 2-1/4" (57mm) or any other non standard door thickness please specify door thickness when ordering.
4. 89L and 89E Escutcheons and levers are alloy cast.
5. Freewheeling clutched lever. The lever will rotate downwards or upwards when in the locked position preventing excessive force from being applied when the lever is in the horizontal position. This feature will reduce forced entry and prevent damage to the exit device.
6. Cylinder sold separately

MODELS AND FUNCTIONS

Operation Options	Key Locks and Unlocks Lever	Lever Always Active (no Cylinder)	Key Retracts Latchbolt (Rigid Lever)	Pull When Device Dogged (Rigid Lever)
(Dummy trim is not recommended for fire rated devices)*				
Function	Classroom	Passage	Storeroom	Dummy*
Trim Designation	Cylinder Escutcheon Lever	Blank Escutcheon Lever	Night Latch Escutcheon Lever	Dummy Escutcheon Lever
Model number and uses	For Rim, Surface / Concealed Vertical Rod and LBR			
	89L01A	89L01B	89L01C/RIM	89L01D
	For Mortise Lock Exit Devices Only			
	89E01A	89E01B	89E01C/Mortise	89E01D
Escutcheon Plate Size	9-7/16" x 2-15/16" x 13/16" (240mm x 75mm x 21mm)			
ANSI Function Number	8	14	3	2
Cylinder Type	Mortise	Not required	See Above	Not required

Model 88L / 89L and 88E / 89E Series Escutcheon Levers

OPTIONAL LEVER DESIGNS

01 STANDARD



02



Model 88L / 89L and 88E / 89E Series Escutcheon Levers

OPTIONAL LEVER DESIGNS

05



17







Model 87P & 87E Series Pull Plates (Radius Top and Bottom Plate)

FEATURES

1. Non-handed, easy to install
2. Most popular 8 architectural finishes to choose from: C3 (605), C10B (613), C26D (626), C28 (628), and C32D (630).
3. Trim has through-bolts to securely fasten to device chassis
4. Cylinder sold separately

MODELS AND FUNCTIONS





Operation Options (Dummy trim is not recommended for fire rated devices)*	Key Locks and Unlocks Thumbpiece	Thumbpiece Always Active (no Cylinder)	Key Retracts Latchbolt	Pull When Device Dogged
				
Function	Classroom	Passage	Night Latch	Dummy*
Trim Designation	Cylinder Pull Plate with Thumbpiece	Blank Pull Plate with Thumbpiece	Cylinder Pull Plate	Dummy Pull Plate
Model number and uses	For Rim, Surface Vertical Rod and LBR			
	87P-5A	87P-5B	87P- 5C/RIM	87P-5D
	Concealed Vertical Rod			
	87P-6A	87P-6B	87P- 6C/RIM	87P-6D
	For Mortise Lock Exit Devices Only			
	87E-4A	87E-4B	87E- 4C/Mortise	87E-4D
	Escutcheon Plate Size 14-11/16" x 3" x 3/32" (373mm x 76mmx 2mm)			
ANSI Function Number	8	14	3	2
Cylinder Type	Mortise	Not required	SEE Above	Not required

Model 86P and 86E Series Pull Plates (Flat Top and Bottom Plate)

FEATURES

1. Non-handed, easy to install
2. Most popular 8 architectural finishes to choose from: C3 (605), C10B (613), C26D (626), C28 (628), and C32D (630).
3. Trim has through-bolts to securely fasten to device chassis
4. Cylinder sold separately

MODELS AND FUNCTIONS

Operation Options	Key Locks and Unlocks Thumbpiece	Thumbpiece Always Active (no Cylinder)	Key Retracts Latchbolt	Pull When Device Dogged
(Dummy trim is not recommended for fire rated devices)*				
Function	Classroom	Passage	Night Latch	Dummy*
Trim Designation	Cylinder Pull Plate with Thumbpiece	Blank Pull Plate with Thumbpiece	Cylinder Pull Plate	Dummy Pull Plate
Model number and uses	For Rim, Surface Vertical Rod and LBR			
	86P-5A	86P-5B	86P- 5C/RIM	86P-5D
	Concealed Vertical Rod			
	86P-6A	86P-6B	86P- 6C/RIM	86P-6D
	For Mortise Lock Exit Devices OnlyNote: Classroom Ftn requires 1-1/2" Cylinder			
	86E-4A	86E-4B	86E- 4C / Mortise	86E-4D
	Escutcheon Plate Size			
14-11/16" x 3" x 3/32" (373mm x 76mm x 2mm)				
ANSI Function Number	8	14	3	2
Cylinder Type	Mortise	Not required	See Above	Not required

Trims will accept cylinders from other manufacturers

Cylinders are not furnished standard

The 86E Series Trim, used for mortise lock devices cannot be ordered separate. These trims must be packed together with the mortise lock exit device when ordered.

How to order 86E Series Trims with mortise lock devices.

Please use the following nomenclature:

LH 8820 - 36 - 86E - 4A - 626

Device Model Number = 8820

Device Length = 36

Trim Model Number = 86E

Function Code = 4A

BHMA Finish = 626

FUNCTION CODE

A - Classroom

B - Passage

C - Night Latch





D - Dummy

Model 85P Series Pull Plates (Narrow, Radius Top and Bottom Plate)

FEATURES

1. Non-handed, easy to install
2. Available in 8 popular finishes: C3 (605), C10B (613), C26D (626), C28 (689) and C32D (630)
3. Trim is secured to the device using through bolts for more security and durability. Trim fits 1-3/4" (44mm) door standard. For 2" (51mm) or 2-1/4" (57mm) be sure to specify on the order.
4. Cylinder sold separately

MODELS AND FUNCTIONS

Operation Options (Dummy trim is not recommended for fire rated devices)*	Key Locks and Unlocks Thumbpiece 	Thumbpiece Always Ac (no Cylinder) 	Key Retracts Latchbolt 	Pull When Device Dogged 
	Classroom	Passage	Night Latch	Dummy*
Function	Classroom	Passage	Night Latch	Dummy*
Trim Designation	Cylinder Pull Plate with Thumbpiece	Blank Pull Plate with Thumbpiece	Cylinder Pull Plate	Dummy Pull Plate
Model number and uses	For Rim, Surface Vertical Rod and LBR Type Exit Devices Use			
	85P-3A	85P-3B	85P-3C	85P-3D
	Concealed Vertical Rod Type Exit Device Use			
	85P-4A	85P-4B	85P-4C	85P-4D
Escutcheon Plate Size	14-1/2" x 1-25/32" x 3/32" (368mm x 45mm x 2mm)			
ANSI Function Number	8	14	3	2
Cylinder Type	Mortise	Not required	Rim	Not required





Trims will accept cylinders from other manufacturers
Cylinders are not furnished standard

Model 84P Series Pull Plates (Narrow, Flat Top & Bottom Plate)

FEATURES

1. Non-handed, easy to install
2. Available in 8 popular finishes: C3 (605), C10B (613), C26D (626), C28 (689) and C32D (630)
3. Trim is secured to the device using through bolts for more security and durability. Trim fits 1-3/4" (44mm) door standard. For 2" (51mm) or 2-1/4" (57mm) be sure to specify on the order.
4. Cylinder sold separately

MODELS AND FUNCTIONS

Operation Options (Dummy trim is not recommended for fire rated devices)*	Key Locks and Unlocks Thumbpiece 	Thumbpiece Always Ac (no Cylinder) 	Key Retracts Latchbolt 	Pull When Device Dogged 
	Classroom	Passage	Night Latch	Dummy*
Function	Classroom	Passage	Night Latch	Dummy*
Trim Designation	Cylinder Pull Plate with Thumbpiece	Blank Pull Plate with Thumbpiece	Cylinder Pull Plate	Dummy Pull Plate
Model number and uses	For Rim, Surface Vertical Rod Type Exit Devices Use			
	84P-3A	84P-3B	84P-3C	84P-3D
	Concealed Vertical Rod			
	84P-4A	84P-4B	84P-4C	84P-4D
Escutcheon Plate Size	14-1/2" x 1-25/32" x 3/32" (368mm x 45mm x 2mm)			
ANSI Function Number	8	14	3	2
Cylinder Type	Mortise	Not required	Rim	Not required





Trims will accept cylinders from other manufacturers
Cylinders are not furnished standard

Model SF801 Series Levers with Round Roses

FEATURES

1. Non-handed and easy to install
2. Lever handle allows convenient one hand operation
3. Available in C32D (630)
4. Trim has two through bolts that connect to the device chassis providing increased durability and security
5. Lever is freewheeling (clutch). The lever will rotate when locked to prevent excessive force being applied. This reduces the chances of the lever being damaged.
6. These trims have four operational options as per the table below.

MODELS AND FUNCTIONS

Operation Options	Key Locks and Unlocks Lever	Lever Always Active (no Cylinder)	Key Retracts Latchbolt (Rigid Lever)	Pull When Device Dogged (Rigid Lever)
(Dummy trim is not recommended for fire rated devices)*				
Function	Classroom	Passage	Storeroom	Dummy*
Trim Designation	Cylinder round rose lever	No cylinder round rose lever	Cylinder round rose lever	No cylinder round rose lever
Model number and uses	For 8000 Series Rim and Surface Vertical Rod			
	SF801A	SF801B	SF801C	SF801D
Dimensions	Rose Diametre 3-3/8" (86mm) x Lever 5-1/4" (133mm) x Projection 3" (76mm)			
ANSI Function Number	8	14	3	2

Model 7200 Fire-Rated Keyed Removable Mullion

For use with Fire-Rated Rim Exit Devices on fire-rated pairs of doors

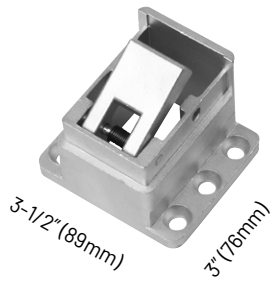


SPECIFICATIONS

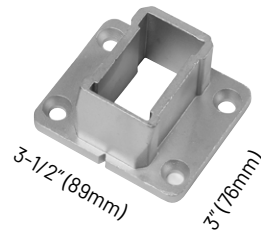
Mullion Tube	2" (51mm) wide x 3" (76mm) deep, with wall thickness of 1/8" (3mm) 11 gauge.
Mullion Size	2 sizes 7' (2134mm) and 8' (2438mm) Mullion can be cut in the field as required
Cylinder	Use a rim cylinder, model 426 or a interchangeable core, model 308 (sold separately)
Top Bracket	Stainless Steel (model 752F). Using key allows mullion to be removed in seconds. Mullion can be locked into top bracket easily without using key.
Bottom Bracket	Stainless Steel (model 755F). Fixed by 4 hex bolts and anchors
Shims	1/2" (13mm) and 5/8" (16mm) shims included
Fasteners	Each mullion includes the following fasteners: 2 Flat Head Machine Screws, 5/16-18 x 1-1/2" Stainless Steel 4 Flat Head Machine Screws, 5/16-18 x 5/8" Stainless Steel 4 Hex Head Machine Screws, 5/16-18 x 1-1/4" Stainless Steel 4 Expansion Anchors, 1/2" Diameter x 1-1/2" Long Steel
Strikes	Use 2 (sets) of mullion strikes (688) and strike hooks (689) sold separately.
Finish	AL.

Mullion Brackets

752F TOP

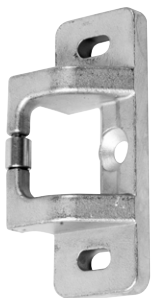


755F (BOTTOM)



Strikes (Sold Separately)

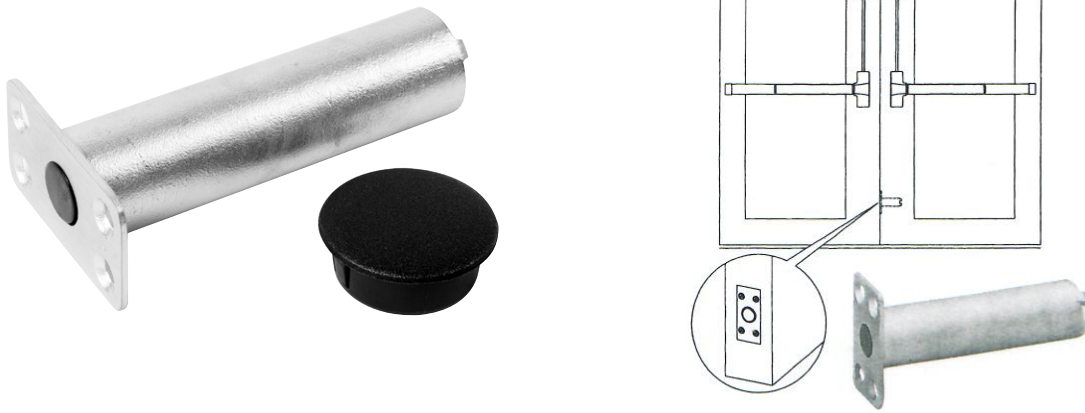
688



689



Fire Latch Bolt (FL001)



A Fire Latch Bolt is used with a pair of UL listed fire rated Less Bottom Rod (LBR) exit devices. The Fire Latch Bolt is a spring loaded stainless steel bolt that installs in the lower door edge to replace bottom vertical rods of two Surface Vertical Rod (SVR) exit devices on double doors. The UL listed fire latch bolt is a temperature actuated bolt that is designed to release from one door leaf and engage the other door. Thus, connecting the opposite door leaf and keeping the doors in alignment and closed during a fire.

SPECIFICATIONS

UL listed, required with pairs of Surface Vertical Rod (SVR) devices less bottom rod (LBR). Fire latch bolt FL001 is sold separately.

Faceplate	1-25/32" (45mm) x 1" (25.4mm)
Bolt Diameter	27/32" (21.6mm)
Length of bolt	3-5/32" (80mm)
Material	Stainless Steel

Dogging options



LESS DOGGING (LD)

Less Dogging is available on all 8000 Series Panic Exit Devices when users want to remove the standard dogging feature.



CYLINDER DOGGING (CD)

Cylinder Dogging is available on all 8000 Series Panic Exit Devices to replace standard hex key dogging. Cylinder dogging requires a standard 1-1/4" (32mm) mortise cylinder with a straight cam. This option can be ordered with the device when specified.

Note: Cylinder Dogging Kit (CDK) can be ordered for field conversion. This option cannot be used on fire exit hardware.

Cylinder Options

Cylinders are not supplied when ordering a device or a trim. Please order separately. The pages detailing trim designs and functions advise cylinder type required.

Mortise Cylinder

STANDARD TYPE

526



Rim Cylinder

STANDARD TYPE

426



INTERCHANGEABLE CORE (SFIC)

208



INTERCHANGEABLE CORE (SFIC)

308



SMALL FORMAT INTERCHANGEABLE CORE (SFIC)

LH-7 PIN IC CORE



LARGE FORMAT INTERCHANGEABLE CORE (LFIC)

LH-IC CORE LARGE FORMAT



Note: Standard cylinder is 1-1/4" long. SFIC cylinders are 1-3/8" long LFIC Cylinders are 1-1/2" long. Please specify cam.



LH77-C32D (630)



LH78-C32D (630) LHR SHOWN



LH79-C32D (630) RHR SHOWN

Vandal Resistant Trim

APPLICATIONS

- For use with 8600/8800 (wide stile) rim and vertical rod exit devices
- Bolts directly to baseplate
- Cylinder cutout available 1-1/4" (32mm)
- Order cylinder with collar separately

FINISHES

C32D (630), C32 (629) other architectural
Finishes available by request

SPECIFICATIONS

Material: 11 GA. (.12" 3mm) thick stainless steel

Size: 6-3/8" x 11" (162mm x 280mm)

Projection: 1-7/8" (48mm)

Door Thickness: 1-3/4" - 2" (45mm - 51mm)

Clearance: 1-5/8" (41mm)



LH80-C32D (630)



LH81-C32D (630) LHR SHOWN



LH82-C32D (630) RHR SHOWN

Vandal Resistant Trim with Latchguard

APPLICATIONS

- For use with 8600/8800 (wide stile) rim and vertical rod exit devices
- Bolts directly to baseplate
- Cylinder cutout available 1-1/4" (32mm)
- Order cylinder with collar separately

FINISHES

C32D (630), C32 (629) other architectural
Finishes available by request

SPECIFICATIONS

Material: 11 GA. (.12" 3mm) thick stainless steel
Size: 7 1/4" x 11" (184mm x 280mm)
Projection: 1-7/8" (48mm)
Door Thickness: 1-3/4" - 2" (45mm - 51mm)
Clearance: 1-5/8" (41mm)



LAWRENCE[®]
HARDWARE

EXIT DEVICES 5000 SERIES



5000 Series Economy Exit Devices

EXIT DEVICE APPLICATIONS

Exit Device (also known as panic device or panic hardware) is the terminology used in architectural hardware. It is a type of lock having a push bar (also known as a push pad, push rail or touch bar). When the push bar is depressed it will retract the latch bolt (s). Therefore, permitting the door to be opened in the direction of travel. An Exit Device is a critical part of the Fire, Life Safety and Security in all types of buildings.

Exit Devices have two classifications: Panic Hardware and Fire Exit Hardware. Both are designed to provide immediate egress. All Lawrence Hardware Exit Devices are tested and listed by an authorized, nationally recognized independent test laboratory.

Lawrence Hardware 5000 Series Exit Devices are suitable for use in the following types of buildings:

Office building	Apartments
Retail Store	Multi Family Buildings
Healthcare	Stadiums
Factories	Gymnasiums
Parking Garages	Hospitality
Educational	Restaurants

Our 5000 Series Exit Devices are ideally suited for use on emergency exits in all of these buildings. These durable devices are designed to meet the demand for modern styling by eliminating lever arms and cross bars.

5000 SERIES ECONOMY EXIT DEVICES

These devices are Underwriters Laboratories (UL and cUL) listed for Accident Hazard (Panic) Installations. They also comply with UL305 requirements and are listed for Fire Exit Hardware, UL10C.

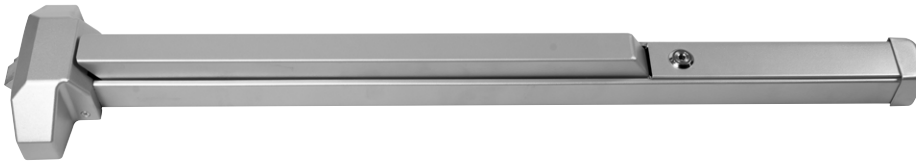
FEATURES

- All devices are non-handed
- The centre case is multi functional
- Pressure along any part of the touch pad will retract latch bolt
- Auxiliary guarded latch deadlocks automatically when door closes
- High shock resistant latching mechanism designed for protection from vandalism or forced entry
- All inside components are made of rust resistant alloy or zinc dichromate plated steel
- In addition to finishes listed in the price book other architectural finishes and powder coats are available options
- Outside trims are available with rose or escutcheon to meet the exact needs of the application.
- All trims feature through bolt design for more security and durability
- Panic hardware application have the option of hex key (standard) or cylinder dogging (special order). This allows for the convenience of push pull operation during peak traffic periods.

5000 Series Economy Exit Devices

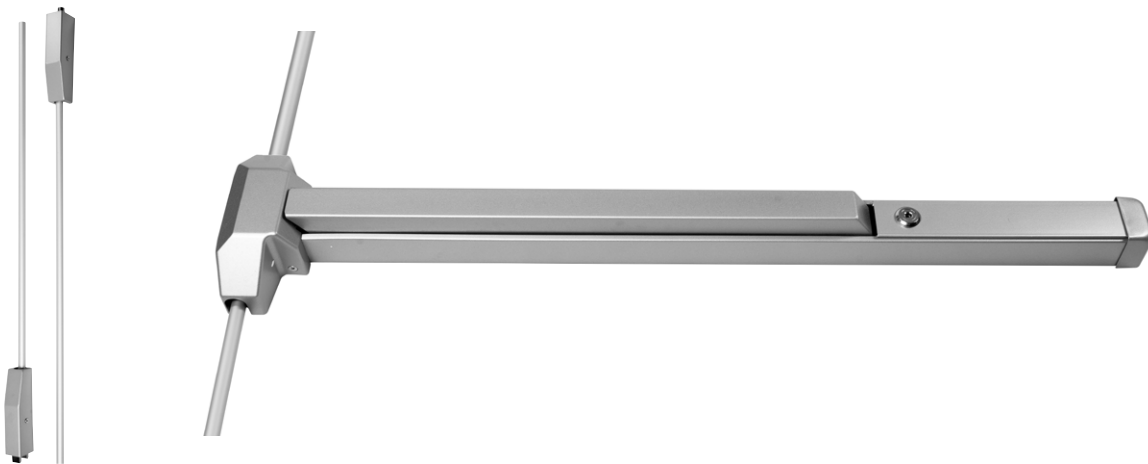
5510S WIDE STILE DESIGN PANIC RIM EXIT DEVICE (SHOWN)

5510F WIDE STILE DESIGN FIRE RIM EXIT DEVICE



5530S WIDE STILE DESIGN PANIC SVR EXIT DEVICE (SHOWN)

5530F WIDE STILE DESIGN FIRE SVR EXIT DEVICE



These two models are wide stile design, UL listed Panic or Fire Exit Hardware

5610S NARROW STILE DESIGN PANIC RIM EXIT DEVICE



5630S NARROW STILE DESIGN PANIC SVR EXIT DEVICE



These two models are narrow stile design, UL listed for Panic Hardware

5500 Series Economy Exit Devices

5510S WIDE STILE DESIGN PANIC RIM EXIT DEVICE - FOR WIDE STILE AND FLUSH DOORS

5510F WIDE STILE DESIGN FIRE RIM EXIT DEVICE - FOR WIDE STILE FIRE LABELLED DOORS



APPLICATIONS

- For use on single doors or double doors with mullion. Fire rated on 4' x 8' single doors or 8' x 8' double fire rated doors.
- Fasteners provided for standard 1-3/4" (44mm) thick hollow metal or wood doors. Please specify if door is greater than 1-3/4".
- Minimum Stile width: 3-1/2" (90mm)

Strikes

531 STRIKE SHIM

Furnished with 532 Strike. This shim is 1/8" thick for use on doors that have a 1/2" stop. This shim allows the device to fully engage the strike. If the stop is 5/8" then this shim is not required.

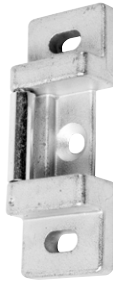


532 PANIC RIM STRIKE



Surface applied. This is the standard strike on 5000 Series Panic Rim Exit Devices. They are fabricated from stainless steel and have a plated roller.

533 FIRE RIM STRIKE



Surface applied. This is the standard strike on the 5000 Series Fire Rated Rim Devices. It is entirely fabricated from stainless steel including the roller.

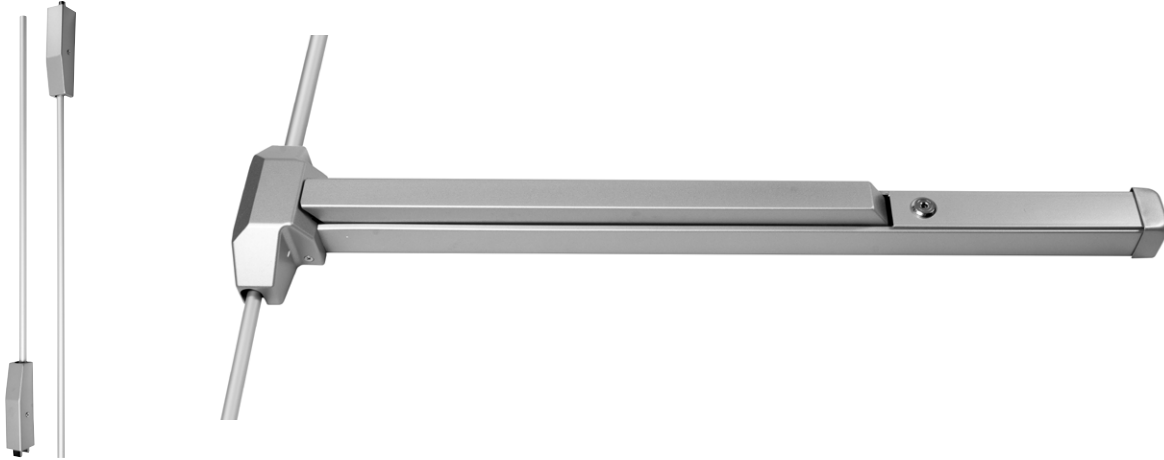
SPECIFICATIONS

Device Head Cover	Stainless Steel or nonferrous alloy
Chassis	Plated Steel
Mechanism Housing	Steel or Stainless Steel
Push Bar	Steel or Stainless Steel
End Cap	Steel or Stainless Steel
Latch Bolt	100% Stainless Steel, deadlocking type 11/16" (17mm) Throw
Strike	531 and 532 for panic rated 533 for fire rated
Handing	Non-Handed
Fasteners	Machine screws furnished standard. Sex nuts and bolts (SNB) are required for use on wood doors. Order SNB separately
Dogging	Hex key dogging standard on panic rated rim device. Fire rated rim device does not include dogging.
Dogging Options	Cylinder dogging (not for use on Fire Rated devices). Less dogging for Rim panic device is also available
Finish	605, 630, 689 and 690
UL Listed	For Panic hardware or for Fire Exit hardware

5500 Series Economy Exit Devices

5530S WIDE STILE DESIGN PANIC SVR EXIT DEVICE - FOR WIDE STILE AND FLUSH DOORS

5530F WIDE STILE DESIGN FIRE SVR EXIT DEVICE - FOR WIDE STILE FIRE LABELLED DOORS*



* LBR Available

APPLICATIONS

- For use on single doors or double doors without mullion. Fire rated on 4' x 8' single doors or 8' x 8' double fire rated doors.
- Fasteners provided for standard 1-3/4" (44mm) thick hollow metal or wood doors. Please specify if door is greater than 1-3/4".
- Minimum Stile width: 3-1/2" (90mm)

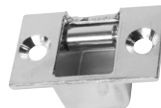
Strikes

534 TOP STRIKE



Applied to surface of stop. Hardened steel, plated

537 BOTTOM STRIKE



Non-ferrous Alloy plated

SPECIFICATIONS

Device Head Cover	Stainless Steel or nonferrous alloy
Chassis	Plated Steel
Mechanism Housing	Steel or Stainless Steel
Push Bar	Steel or Stainless Steel
End Cap	Steel or Stainless Steel
Latch Bolt	100% Stainless Steel, deadlocking type 1/2" (13mm) Throw
Latch case Covers	Steel or stainless steel
Vertical rods	Tubular aluminum with rod guides
Strike	Top 534, Bottom 537
Handing	Non-Handed
Fasteners	Machine screws furnished standard. Sex nuts and bolts (SNB) are required for use on wood doors. Order SNB separately
Dogging	Hex key dogging standard on panic rated rim device. Fire rated rim device does not include dogging.
Dogging Options	Cylinder dogging (not for use on Fire Rated devices). Less dogging for Rim panic device is also available 605, 630, 689 and 690
UL Listed	For Panic hardware and for Fire Exit hardware

5500 Series Device Length

The device lengths are suitable for 36" or 48" doors without cutting

SHORT 36"

device is 32" (813mm) long with a 20" (508mm) push bar.
This size device can be cut down to 26" (660mm)

LONG 48"

device is 44" (1118mm) long with a 24" (607mm) push bar
This size device can be cut down to 31" (787mm)

Our Standard vertical rods accommodate 7' (2134mm) or 8' (2438mm) exit doors. Specify door height if greater than standard size when ordering.

Note: Length does include latchbolt

5600 Series Devices

MODEL 5610S PANIC-RATED RIM EXIT DEVICE - FOR NARROW STILE EXIT DOOR USE



APPLICATIONS

- For use on single doors or double doors with mullion
- Standard for 1-3/4" (44mm) thick doors. For other door thicknesses please specify
- Minimum stile width is 2-1/2"



Strikes

531 STRIKE SHIM

Furnished with 532 Strike. This shim is 1/8" thick for use on doors that have a 1/2" stop. This shim allows the device to fully engage the strike. If the stop is 5/8" then this shim is not required.



532 PANIC RIM STRIKE

Surface applied. This is the standard strike on 5000 Series Panic Rim Exit Devices. They are fabricated from stainless steel and have a plated roller.

SPECIFICATIONS

Device Head Cover	Stainless Steel or nonferrous alloy
Chassis	Plated Steel
Mechanism Housing	Steel or Stainless Steel
Push Bar	Steel or Stainless Steel
End Cap	Steel or Stainless Steel
Latch Bolt	100% Stainless Steel, deadlocking type 11/16" (17mm) Throw
Deadlocking Latch	100% Stainless Steel, 5/8" (16mm) throw
Strikes	531 and 532
Handing	Non-Handed
Fasteners	Machine screws furnished standard. Sex nuts and bolts (SNB) are required for use on wood doors. Order SNB separately
Dogging	Hex key dogging standard on panic rated rim device.
Dogging Options	Cylinder dogging. Less dogging for Rim panic device is also available
Finish	605, 630, 689 and 690
UL Listed	For Panic hardware

MODEL 5630S PANIC-RATED SVR EXIT DEVICE - FOR NARROW STILE EXIT DOOR USE



APPLICATIONS

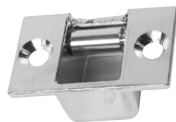
- For use on single doors or double doors where two point latching is required
- Standard for 1-3/4" (44mm) thick doors. For other door thicknesses please specify
- Minimum stile width is 2-1/2"



Strikes

534 TOP STRIKE

Applied to surface of stop. Hardened steel plated finish



537 BOTTOM STRIKE

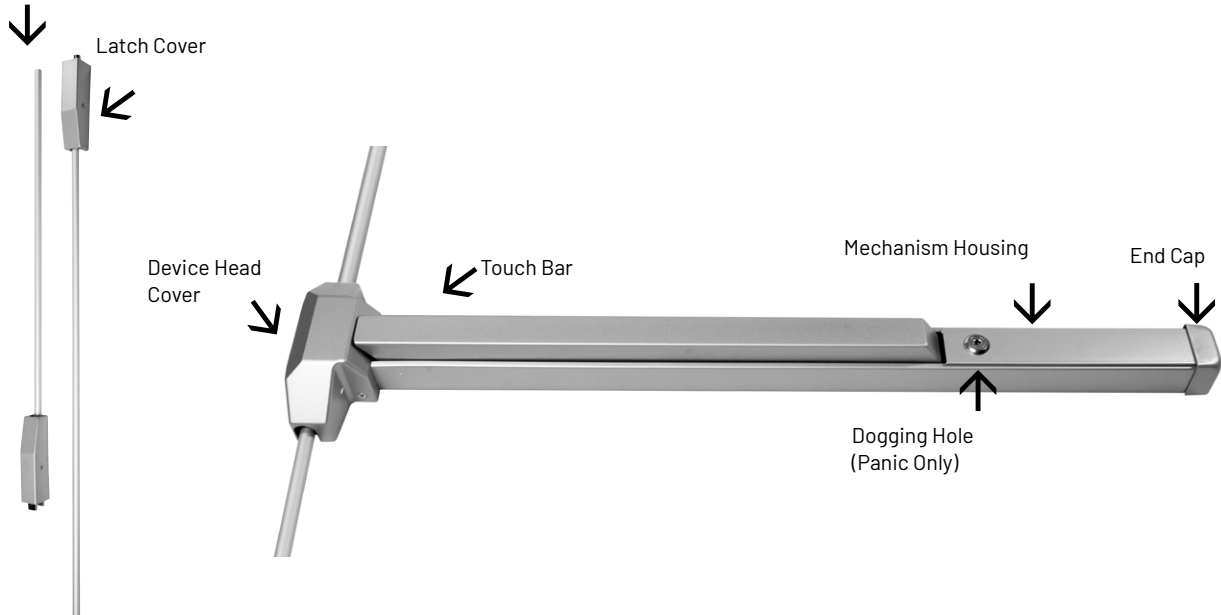
Applied in floor fabricated from nonferrous alloy, plated finish

SPECIFICATIONS

Device Head Cover	Stainless Steel or nonferrous alloy
Chassis	Plated Steel
Mechanism Housing	Steel or Stainless Steel
Push Bar	Steel or Stainless Steel
End Cap	Steel or Stainless Steel
Latch Bolts	100% Stainless Steel, 1/2" (13mm)
Latch Case Covers	Steel or Stainless Steel
Vertical Rods	Tubular aluminum with rod guides
Strikes	Top 534 and 537 Bottom
Handing	Non-Handed
Fasteners	Machine screws furnished standard. Sex nuts and bolts (SNB) are required for use on wood doors. Order SNB separately
Dogging	Hex key dogging standard on panic rated rim device.
Dogging Options	Cylinder dogging. Less dogging for Rim panic device is also available
Finish	605, 630, 689 and 690
UL Listed	For Panic hardware

PART NAMES 5000 SERIES

Vertical Rod







MODEL 58L SERIES ESCUTCHEON LEVERS

FEATURES

1. Non-handed and easy to install
2. Available in four finishes: C3 (605), C20A (690), C28 (689) and C32D (630)
3. Trim has two through bolts that connect to the device chassis providing increased durability and security
4. These trims are anti-vandalism type that prevents the lock from damage when the lever is locked.
5. These trims have four operational options as per the table below.
6. Lever handle is made of zinc alloy.
7. Escutcheon plate is made of steel or stainless steel.
8. Cylinder sold separately

MODELS AND FUNCTIONS

Operation Options	Key Locks and Unlocks Lever	Lever Always Active (no Cylinder)	Key Retracts Latchbolt (Rigid Lever)	Pull When Device Dogged (Rigid Lever)
(Dummy trim is not recommended for fire rated devices)*				
Function	Classroom	Passage	Storeroom	Dummy*
Trim Designation	Cylinder Escutcheon Lever	Blank Escutcheon Lever	Night Latch Escutcheon Lever	Dummy Escutcheon Lever
Model number and uses	For 5510 Series Rim and 5530 Series Surface Vertical Rod			
	58L01A	58L01B	58L01C	58L01D
The warranty on the exit and the trim will not be honoured if an economy trim is used with a Grade 1 Exit Device.				
Escutcheon Plate Size	8-1/16" x 2-5/8" x 29/32" (205mm x 67mm x 23mm)			
ANSI Function Number	8	14	3	2
Cylinder Type	Mortise	Not required	Mortise	Not required

OPTIONAL LEVER DESIGNS

#01 (STANDARD)



#02



#05



#17







Model 57P SERIES PULL PLATES (FLAT TOP AND BOTTOM PLATE)

FEATURES

1. Non-handed, easy to install
2. Most popular 8 architectural finishes to choose from: C3 (605), C4 (606), C10 (612), C10B (613), C26 (625), C26D (626), US28 (628), and C32D (630).
3. Trim has through-bolts to securely fasten to device chassis
4. Cylinder sold separately

MODELS AND FUNCTIONS

Operation Options (Dummy trim is not recommended for fire rated devices)*	Key Locks and Unlocks Thumbpiece 	Thumbpiece Always A (no Cylinder) 	Key Retracts Latchbolt 	Pull When Device Dogged 
	Classroom	Passage	Night Latch	Dummy*
Function	Classroom	Passage	Night Latch	Dummy*
Trim Designation	Cylinder Pull Plate with Thumbpiece	Blank Pull Plate with Thumbpiece	Cylinder Pull Plate	Dummy Pull Plate
Model number and uses	For Rim and Surface Vertical Rod only			
	57P-5A	57P-5B	57P-5C	57P-5D
Escutcheon Plate Size	14-11/16" x 3" x 3/32" (373mm x 76mm x 2mm) With Thumbpiece			
	14 x 3" x 3/32" (355mm x 76mm x 2mm) Pullplate			
ANSI Function Number	8	14	3	2
Cylinder Type	Mortise	Not required	Rim	Not required

MODEL 52R SERIES RAISED LIP STYLE PULL PLATES

Trim Designation	Cylinder Pull Plate	Blank Plate
Function	Night Latch	Dummy
Operation	Key Retracts Latchbolt	Pull When Dogged Not for use on fire rated device
Model Number for wide stile Exit Devices	For 5510/5610 Series Rim and 5530/5630 Series SVR Devices Only 52R2A 52R2B	
Plate Size	7-11/16" x 3" x 1/8" (196mm x 76mm x 3mm)	

52R2A



52R2B







MODEL 53L SERIES LEVERS WITH ROUND ROSES

FEATURES

1. Non-handed and easy to install
2. Lever handle allows convenient one hand operation
3. Available in C32D (630)
4. Trim has two through bolts that connect to the device chassis providing increased durability and security
5. Lever is freewheeling (clutch). The lever will rotate when locked to prevent excessive force being applied. This reduces the chances of the lever being damaged.
6. These trims have four operational options as per the table below.

MODELS AND FUNCTIONS

Operation Options	Key Locks and Unlocks Lever	Lever Always Active (no Cylinder)	Key Retracts Latchbolt (Rigid Lever)	Pull When Device Dogged (Rigid Lever)
(Dummy trim is not recommended for fire rated devices)*				
Function	Classroom	Passage	Storeroom	Dummy*
Trim Designation	Cylinder round rose lever	No cylinder round rose lever	Cylinder round rose lever	No cylinder round rose lever
Model number and uses	For Economy Rim and Surface Vertical Rod			
	53L01A	53L01B	53L01C	53L01D
Dimensions	Rose Diameter 3-1/8" (78mm) x Lever 4-3/4" (121mm) x Projection 3" (76mm)			
ANSI Function Number	8	14	3	2

The warranty on the exit and the trim will not be honoured if an economy trim is used with a Grade 1 Exit Device.

Rim Strike



1/8 Shim Plate
For 532

531

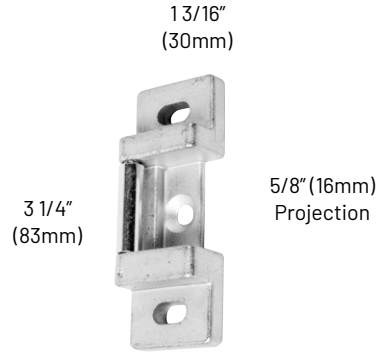


3 1/4"
(83mm)

1 3/16"
(30mm)

1/2" (12mm)
Projection

532



3 1/4"
(83mm)

1 3/16"
(30mm)

5/8" (16mm)
Projection

533

Vertical Rod Strike

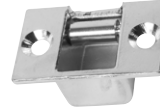
1 7/8"
(48mm)



1 5/8" (41mm)

5/8" (16mm)
Projection

1 3/16"
(30mm)



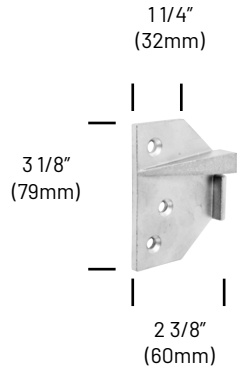
1 5/8" (41mm)

1/8" (3mm)
Projection

534 TOP STRIKE

537 BOTTOM STRIKE

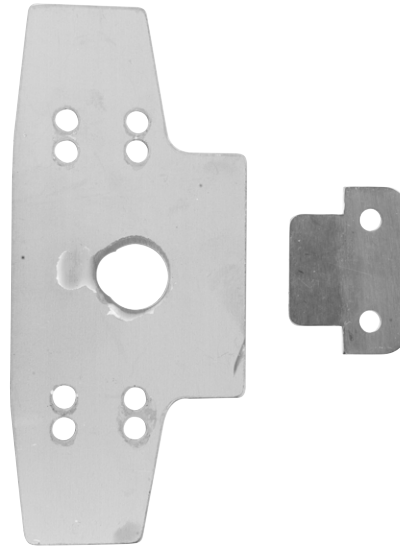
Double Door Strike (Sold Separately)



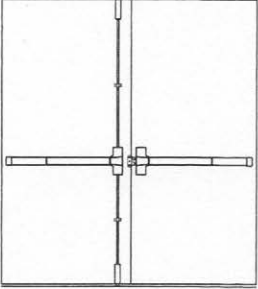
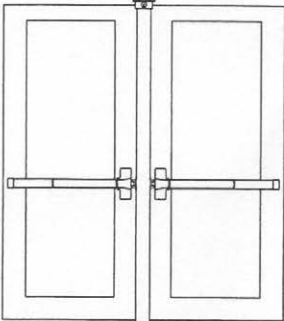
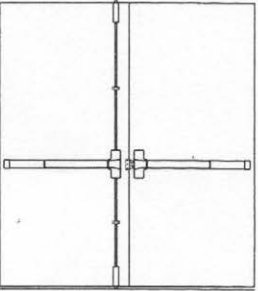
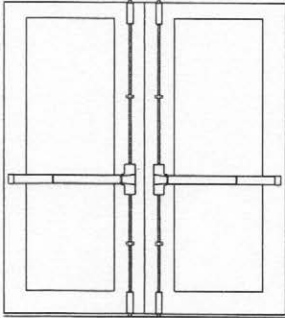
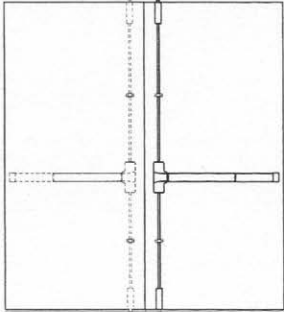
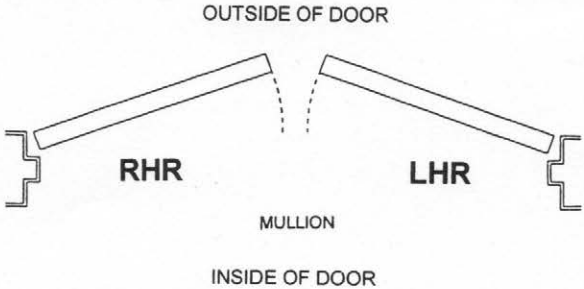
710

5000 SERIES SHIM KITS

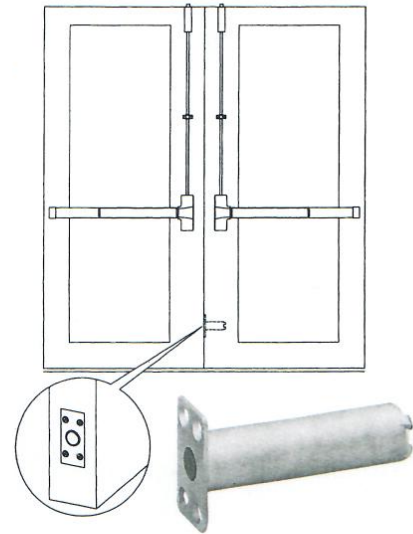
1/8 thick shim plates for use on door with glass bead. Foot print matches 5000 series. Devices as specified (5500 or 5600)



5000 SERIES DOUBLE DOOR APPLICATIONS

 <p>One Rim Device is the popular choice for one outwardly swinging door use. In this application any device may be used.</p>	 <p>Two Rim Devices with mullion - same direction.</p>
 <p>One Rim Device and one Surface Vertical Rod Device combination - same direction.</p>	 <p>Two Surface Vertical Rod Devices - same direction (do not use with overlapping astragal).</p>
 <p>Two Vertical Rod Devices - double egress.</p>	<p>Door Handling Use this diagram to determine the hand of door.</p>  <p>OUTSIDE OF DOOR</p> <p>RHR LHR</p> <p>MULLION</p> <p>INSIDE OF DOOR</p>

5530F SERIES LBR
FIRE LATCH BOLT (FL001)



A Fire Latch Bolt is used with a pair of UL listed fire rated Less Bottom Rod (LBR) exit devices. The Fire Latch Bolt is a spring loaded stainless steel bolt that installs in the lower door edge to replace bottom vertical rods of two Surface Vertical Rod (SVR) exit devices on double doors. The UL listed fire latch bolt is a temperature actuated bolt that is designed to release from one door leaf and engage the other door. Thus, connecting the opposite door leaf and keeping the doors in alignment and closed during a fire.

SPECIFICATIONS

UL listed, furnished with pairs of Surface Vertical Rod (SVR) devices less bottom rod (LBR). Fire latch bolt FL001 is sold separately.

Faceplate	1-25/32" (45mm) x 1" (25.4mm)
Bolt Diameter	27/32" (21.6mm)
Length of bolt	3-5/32" (80mm)
Material	Stainless Steel

Cylinder Options

Cylinders are not supplied when ordering a device or a trim. Please order separately. The pages detailing trim designs and functions advises cylinder type required.

Mortise Cylinder

STANDARD TYPE

526



Rim Cylinder

STANDARD TYPE

426



INTERCHANGEABLE CORE (SFIC)

208



INTERCHANGEABLE CORE (SFIC)

308



SMALL FORMAT INTERCHANGEABLE CORE (SFIC)

LH-7 PIN IC CORE



LARGE FORMAT INTERCHANGEABLE CORE (LFIC)

LH-IC CORE LARGE FORMAT



Note: Standard cylinder is 1-1/4" long. SFIC cylinders are 1-3/8" long LFIC Cylinders are 1-1/2" long. Please specify cam required if other than straight.



LAWRENCE

S E C T I O N

4



Locksets

SECTION 4 LOCKSETS

LOCKSETS

LOCKSETS 500 SERIES

560 Series	128
Series Deadlock	128
• 560	128
• 560N	128
560 Series Standard Functions	129
• 500 Series Standard Lock Functions	129
LH 560 Series Square Deadbolt	130
• LH 560 S (Square)	130
• LH571	131
• Indicator Deadbolt	131

LOCKSETS 2000 SERIES

2000 Series Tubular	133
2000 Series Functions	134
• Non Keyed	134
• 2000 Series Standard Lock Functions	134
• 002 Houston SQ C15	135
• 156 Winnipeg C15	135
• 136 Muna C15	135
• 126 Stella C19	135
• 423 Miro C15	135
• 167 Vancouver C15	135
• 119 Logan SQ C19	135

LOCKSETS 3000 SERIES

3000 Series Tubular	137
3000 Series Designer Lever Designs	138
• 101 MATISSE*	138
• 113 DALI*	138
• 119 LOGAN	138
• 102 PICASSO*	138
• 116 MONDRIAN*	138
• 126 STELLA	138
• 136 MUNA	139
• 204 WAVE	139
• 420 BELLA*	139
• 422 SERRA	139
• 167 VANCOUVER	139
• 208 AQUIS*	139
• 423 MIRO	139
• 156 Winnipeg	139
3000 Series Functions	140
• Non Keyed	140
• 3000 Series Standard Lock Functions	140

LOCKSETS 4700 SERIES

4700 Series Small Case Mortise Lock	142
4700 Series Standard Functions	143
• 4700 Series Standard Lock Functions	143

LOCKSETS 5000 SERIES

5000 Series Cylindrical Grade 1 Heavy Duty Levers	145
5000 Series Cylindrical Grade 1 Heavy Duty Knobs	147
• 5000 Series Standard Lock Functions	149

LOCKSETS 5300 SERIES

5300 Series Cylindrical Grade 2 Standard Duty Commercial Levers	151
5300 Series Cylindrical Grade 2 Standard Duty Commercial Knobs	153
• 5300 Series Standard Functions	155
• 5300 Series Standard Functions	156

LEVERSETS LH 5300T SERIES

• LH 5300T	158
------------------	-----

LOCKSETS 8700 SERIES

8700 Series Mortise Lockset Grade 1 Heavy Duty	162
8700 ANSI Designer Levers	166
• N002 Houston	166
• N119 Logan	166
• N126 Stella	166
• N136 Muna	166
• N102 Picasso	166
8700 ANSI Designer Levers	167
• N101 Matisse	167
• N423 Miro	167
• N156 Winnipeg	167
• N167 Vancouver	167
Escutcheon Plates	168
8700 Series Standard Functions	169
• Non Keyed without Deadbolt	169
• Keyed without deadbolt	169
• Keyed with deadbolt	169
• Deadbolt Functions	169
• 8700 Series Standard Lock Functions	170
Occupied Indicators	172
• Indicator R/W	172
• Indicator R/GRN	172
• Indicator DND	172

CYLINDERS KEYING INFORMATION

Cylinder Options	174
Mortise Cylinder	174
• Standard Type	174
• Interchangeable Core (SFIC)	174
• Small Format Interchangeable Core (SFIC)	174
• Large Format Interchangeable Core (LFIC)	174
Rim Cylinder	174
• Standard Type	174
• Interchangeable Core (SFIC)	174
• Key in knob (KIK), key in lever (KIL) Cylinder	174
• Keying information	175



LAWRENCE[®]
HARDWARE



LOCKSETS 500 SERIES



560 Series Series Deadlock

560



560N



APPLICATION:

- 560 series is designed for locking where no latch is required Ideal for suite entry, washrooms and change rooms

FEATURES

- Hardened steel roller for attack resistance
- Corrosion resistance




SPECIFICATIONS

Backset	Adjustable backset 2-3/4" (70mm) and 2-3/8" (60mm)
Latchbolt throw	1" (25mm) throw deadbolt For Doors 1-3/8" to 1-3/4" thick (35mm to 45mm)
Bore (560)	Fits 2-1/8" hole
Bore (560N)	Fits 1-1/2" hole
Door thickness	For Doors 1-3/8" to 1-3/4" thick (35mm to 45mm)
Finishes	C19 (BLACK), C26D, C32D, (560, 560IC only), C3 and C10B
Handing	Non handed
Certification	UL10B Listed - Fire test of Door Assemblies upto 3 hr. for hollow metal doors Conforms to BHMA A156.36 Grade 2 tested to 500,000 cycles Compliant to Ontario Building Code - Resistance to Forced Entry for Doors

560 Series Standard Functions

PART NUMBER	DESCRIPTION
LH560/LH560N	Cylinder by Thumb turn
LH562	Double cylinder
LH5689	Thumb turn X dummy cylinder
LH560IC	Cylinder by Thumb turn less SFIC core
LH562IC	Double cylinder less SFIC core

500 SERIES STANDARD LOCK FUNCTIONS

Illustration	Deadbolt Function	BHMA/ANSI Function #	Function	Description
	LH 560/LH560N	E0152	Single Cylinder with Turn	Deadbolt thrown or retracted by key outside or thumbturn inside
	LH562	E0142	Double Cylinder	Deadbolt operated by key from ether side
	LH5689	E0112	Door Bolt, Thumbturn by cylinder	Deadbolt thrown or retracted by thumbturn from one side

LH 560 Series Square Deadbolt

LH 560 S (SQUARE)



APPLICATION

LH 560 series is designed for locking where no latch is required

- Ideal for suite entry applications
- LH 560S 1-3/8" or 1-1/2 Bore

FEATURES

- Hardened steel roller for attack resistance
- Corrosion resistance


SPECIFICATIONS

Backset	Adjustable 2-3/4" (70mm) and 2-3/8" (60mm)
Bolt	1" (25mm)
Door thickness	For Doors 1-3/8"(35mm) to 1-3/4" thick (45mm)
Finishes	C32D (630), C19 (622); C26 available with extended lead time
Handing	Non handed
Certification	UL10B Listed - Fire Test of Door Assembly up-to 3 hr. for hollow metal doors Conforms to BHMA A156.36 Grade 2 tested to 500,000 cycles Compliant to Ontario Building Code - Resistance to Forced Entry for Doors

LH 560 SERIES STANDARD FUNCTIONS

Part Number	LH 560S
Description	Cylinder by Thumb turn

LH 560 SERIES STANDARD LOCK FUNCTIONS

Illustration	Deadbolt Function	BHMA/ANSI Function #	Function	Description
	LH560S	E0152	Single Cylinder with Turn	Deadbolt thrown or retracted by key outside or thumbturn inside



LH571

INDICATOR DEADBOLT

- Fits 2 1/8" prep
- Adjustable for 2 3/8" or 2 3/4" backset
- Deadbolt thrown or retracted by thumbturn inside and Outside indicator displays "IN USE" or "VACANT"
- For 1 3/8 - 1 3/4 Door
- Emergency key included
- Not UL Rated
- C32D (630) Finish

APPLICATION

- Ideal for Washroom doors





LAWRENCE[®]
HARDWARE



LOCKSETS 2000 SERIES



2000 Series Tubular



**MUNA C15
SHOWN**

APPLICATION

- Standard duty commercial and residential projects.
- Suitable for a variety of applications including offices, residential single family and multi-family applications

FEATURES

- Easy to install
- All metal construction

SPECIFICATIONS

Door Thickness	For Doors 1-3/8"(35mm) to 1-3/4" thick (45mm)
Backset	Adjustable to 2-3/8" (60mm) and 2-3/4" (70mm)
Strike	Full lip strike standard ("D" Strike)
Handing	LH2001, LH2022 - Passage and privacy sets are non handed
Latchbolt	1/2" (12.7mm)
Bore	Requires 2 1/8" Hole
Face Plate	Dual radius corner 1" X 2 1/4" face plate/drive in latch
Finish	C19(622),C15(619)
Rose	Round or Square (SQ)




2000 Series Functions

NON KEYED

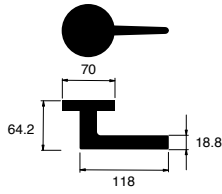
PART NUMBER FUNCTION

LH2001	Passage
LH2022	Privacy
LH2093	Single Dummy (Ridged Trim)

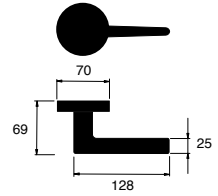
2000 SERIES STANDARD LOCK FUNCTIONS

Illustration	Deadbolt Function	BHMA/ANSI Function #	Function	Description
	LH2001	F36	Passage	Latchbolt retracted by lever on either side
	LH2022	F37	Privacy	Push-Pin locks outside lever Turning inside lever or pushing emergency release unlocks outside lever Inside lever always active
	LH2093		Half Dummy Trim (Rigid)	Single dummy trim for one side of door Used for door pull as matching inactive trim

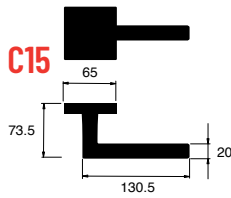
136 MUNA C15



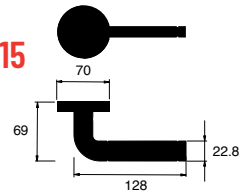
423 MIRO C15



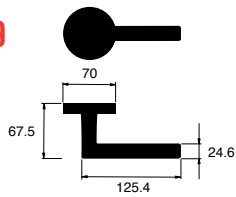
002 HOUSTON SQ C15



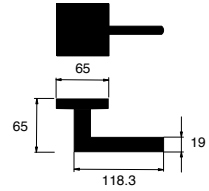
167 VANCOUVER C15



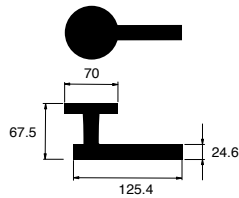
126 STELLA C19



119 LOGAN SQ C19



156 WINNIPEG C15





LAWRENCE[®]
HARDWARE



LOCKSETS 3000 SERIES



3000 Series Tubular



APPLICATION

- Standard duty commercial and residential projects.
- Suitable for a variety of applications including offices, residential single family and multi-family applications

FEATURES

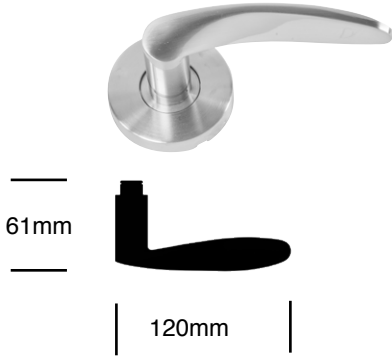
- Durable and easy to install

SPECIFICATIONS

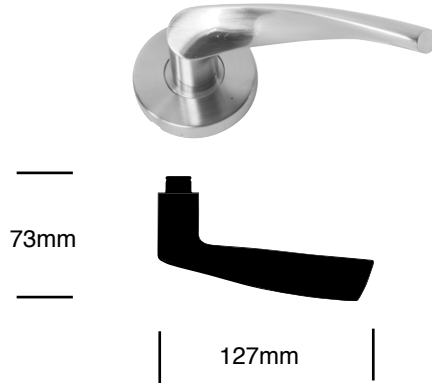
Door Thickness	For Doors 1-3/8" to 1-3/4" thick (35mm to 45mm)
Backset	2-3/8" (60mm) or 2-3/4" (70mm) - Please specify
Bore	Fits 2 1/8" hole
Strike	Full lip strike standard ("D" Strike)
Handing	LH3001, LH3022 - Passage and privacy sets are non-handed Some lever designs are handed
Latchbolt throw	1/2" (12.7mm)
Finish	C32D(63), C15(619) & C19(622) Other finishes available upon request with extended lead time

3000 Series Designer Lever Designs

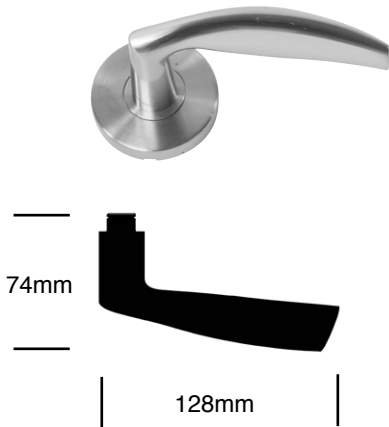
101 MATISSE*



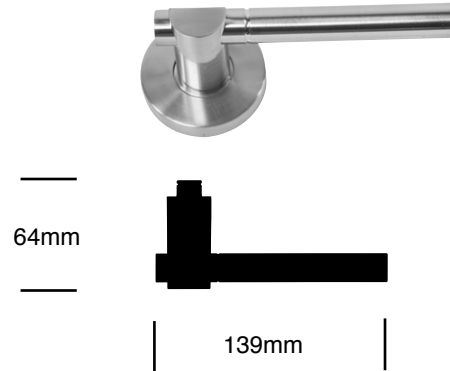
102 PICASSO*



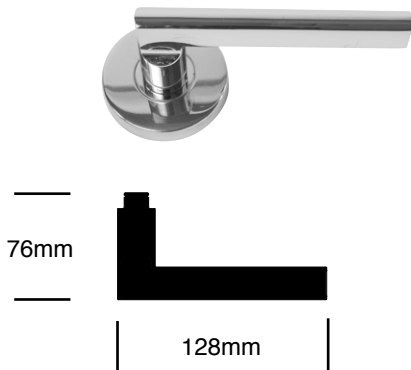
113 DALI*



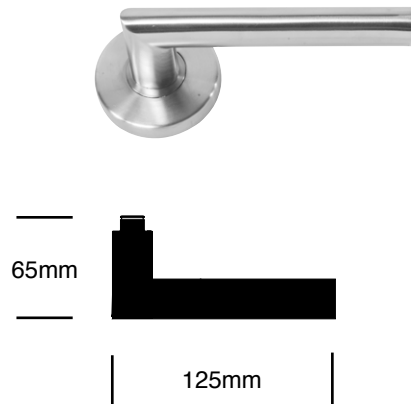
116 MONDRIAN*



119 LOGAN

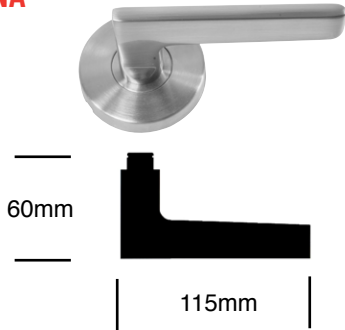


126 STELLA



* Note: Handed lever

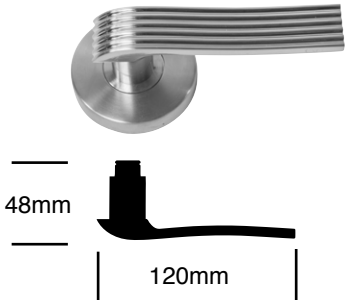
136 MUNA



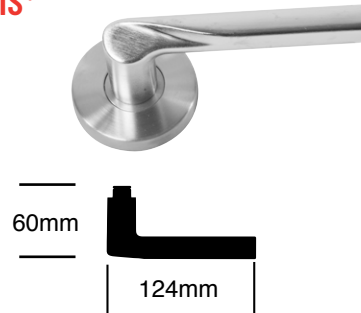
167 VANCOUVER



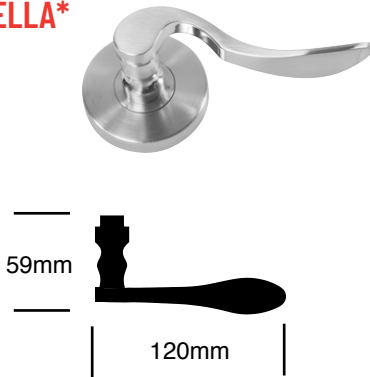
204 WAVE



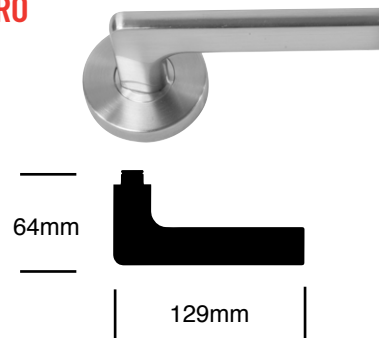
208 AQUIS*



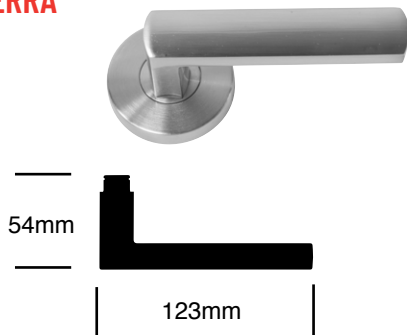
420 BELLA*



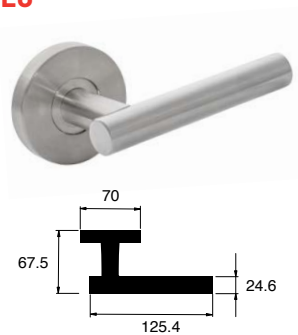
423 MIRO



422 SERRA



156 WINNIPEG



* Note: Handed lever





3000 Series Functions

NON KEYED

PART NUMBER FUNCTION

LH3001	Passage
LH3022	Privacy
LH3093	Single Dummy (Active Trim)
LH3094	Double Dummy (Active Trim)

3000 SERIES STANDARD LOCK FUNCTIONS

Illustration	Deadbolt Function	BHMA/ANSI Function #	Function	Description
	LH3001	F36	Passage	Latchbolt retracted by lever on either side
	LH3022	F37	Privacy	Push-Button locks outside lever Turning inside lever or pushing emergency release unlocks outside lever Inside lever always active
	LH3093		Half Dummy Trim (Active Trim)	Single dummy trim for one side of door Used for door pull as matching inactive trim
	LH3094		Double Dummy Trim (Active Trim)	Double dummy for both sides of door Used for door pulls as matching inactive trim



LAWRENCE[®]
HARDWARE

LOCKSETS 4700 SERIES



4700 Series Small Case Mortise Lock



APPLICATION

- 4700 series is designed for locking where no latch is required
- Ideal for washrooms and change rooms

FEATURES

- High strength steel alloy cylinder retainer
- Armoured front is adjustable for door bevel
- Steel case and all parts are corrosion resistant

SPECIFICATIONS

Backset	2-3/4" (70mm) only
Bolt	1" (25mm)
Finishes	C32D
Handing	Non handed; LH4777 - Classroom function is handed

CERTIFICATIONS






- Conforms to BHMA/ANSI A156.13 Grade 1 tested to 1 million cycles
- Compliant to Ontario Building Code - Resistance to Forced Entry for Doors
- UL10C Listed - Positive Pressure Fire Test of Door Assemblies upto 3 hr. for hollow metal doors
- CAN/ULC-S104 Listed - Standard Method for Fire Tests of Door Assemblies

4700 Series Standard Functions

PART NUMBER	DESCRIPTION
LH4775	Cylinder by Thumb turn
LH4774	Double cylinder
LH4777*	Classroom (cylinder by one way Thumb turn)
LH4778	Cylinder Lock (cylinder only)
LH4779	Door Bolt (Thumb turn only)

Note* Handed item

4700 SERIES STANDARD LOCK FUNCTIONS

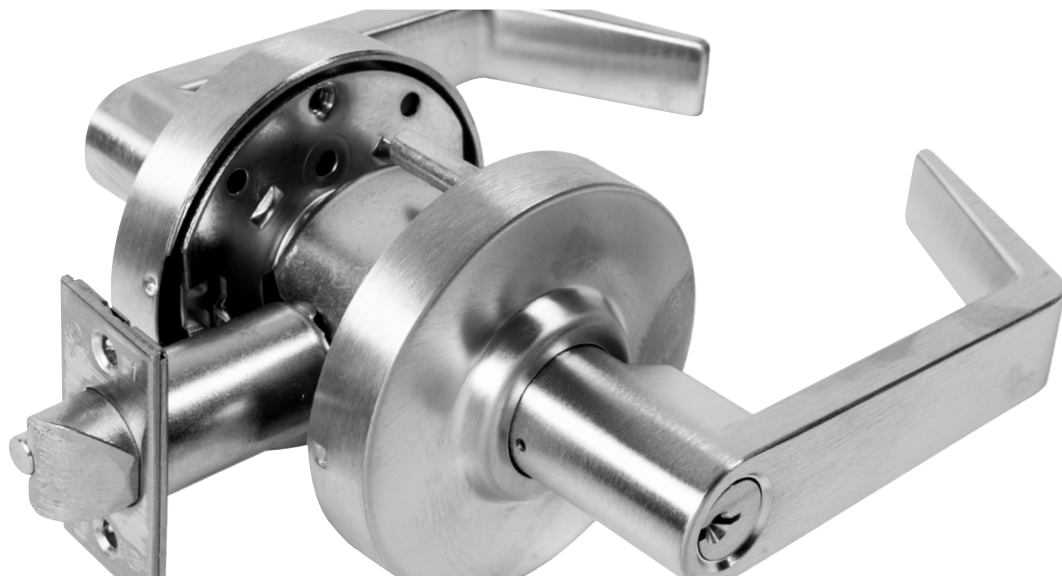
Illustration	Deadbolt Function	BHMA/ANSI Function #	Function	Description
	LH4775	F17	Cylinder with Turn	Deadbolt thrown or retracted by key outside or thumbturn inside
	LH4774	F16	Double Cylinder	Deadbolt operated by key from either side
	LH4777	F29	Classroom Handed	Deadbolt thrown or retracted by key from outside. Inside thumbturn cylinder retracts deadbolt but cannot project it
	LH4778	F18	Cylinder Lock (Cylinder only)	Deadbolt thrown or retracted by key from one side. No thumbturn on opposite side
	LH4779		Door Bolt (Thumbturn only)	Dead bolt thrown or retracted by thumbturn from one side. No Cylinder on opposite side



LAWRENCE[®]
HARDWARE



LOCKSETS 5000 SERIES



5000 Series Cylindrical Grade 1 Heavy Duty Levers



APPLICATION

- Designed for heavy duty commercial, industrial, educational and institutional applications

FEATURES

- Quality cast and machined stainless steel hubs mounted with heavy duty return springs tested to over one million cycles without noticeable lever sag
- Heavy rose liner material provides attack resistance
- The threaded outside rose assembly is adjustable for door thickness
- Free-wheeling clutch style lever standard
- No exposed mounting screws
- Through Bolt Mounting posts 2-5/8" centre to centre provided, to prevent chassis rotation
- Available with Conventional cylinder or SFIC (Small Format Interchangeable Core) - Please specify

CERTIFICATIONS

- ANSI/BHMA certified A156.2 Series 4000 Grade 1 tested to 1 million cycles
- ADA Compliant A117.10
- UL10C Listed - Positive Pressure Fire Test of Door Assemblies upto 3 hr. for hollow metal doors
- CAN/ULC-S104 Listed - Standard Method for Fire Tests of Door Assemblies

SPECIFICATIONS

Door thickness	For doors 1-3/8"(35mm) to 1-3/4" (44mm)
Backset	2-3/4" (70mm) standard; 2-3/8" (60mm) option - Please specify
Bore	Fits 2-1/8" hole
Front	Stainless Steel or Brass, 2-1/4" x 1-1/8" (57mm x 29mm)
Strike	ANSI (4-7/8" x 1-1/4") strike standard
Roses	3-1/2" (90mm) Diameter Stainless steel or brass base metal
Handing	Non-handed
Latchbolt throw	Stainless steel 17/32" (13.5mm) throw standard. 3/4" (19mm) throw available
Cylinder	Solid brass 6-pin cylinder Schlage C keyway with two keys per lock standard.
IC Core	Solid brass 6 or 7-pin core sold separately
keying	Keyed Different (KD) standard. Available Masterkeyed (MK), Keyed Alike (KA) and Construction Masterkeyed (CMK) see Keys and Keying section for additional options
Finishes	C19 (622) C26D (626) for levers and C32D (630) knobs. Other finishes available by special order with extended lead time

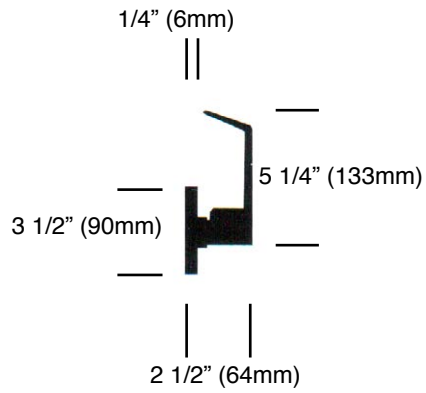
ELECTRICAL OPTIONS

LH5007EL	Electrically Locked (Fail Safe)
LH5007EU	Electrically Unlocked (Fail Secure)
REX - Request to Exit	

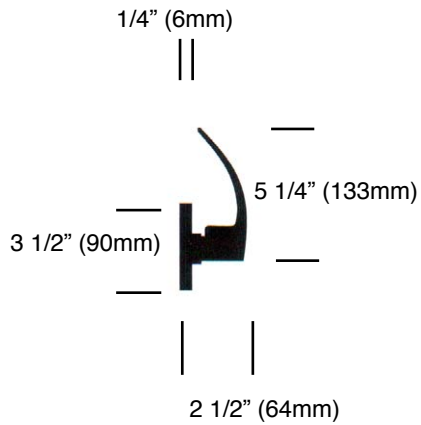
Note: See electrical section for specifications

LEVER DESIGNS

L LEVER



R LEVER



5000 Series Cylindrical Grade 1 Heavy Duty Knobs



- Designed for extra heavy duty commercial, industrial and institutional applications
- No exposed mounting screws
- Non-handed
- Conventional cylinder or SFIC (Small Format Interchangeable Core)
- SFIC cylinder sold separately

FEATURES

- Knobs include steel reinforcement
- Heat treated heavy gauge cold rolled steel spindles add strength and security
- Internal steel mechanism is corrosion treated
- The threaded rose assembly is adjustable for door thickness

CERTIFICATIONS

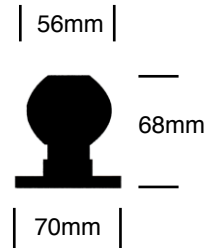
- ANSI/BHMA certified A156.2 Series 4000 Grade 1 tested to 1 million cycles
- UL10C Listed - Positive Pressure Fire Test of Door Assemblies upto 3 hr. for hollow metal doors
- CAN/ULC-S104 Listed - Standard Method for Fire Tests of Door Assemblies

SPECIFICATIONS











Door thickness	For Doors 1-3/8" to 2" (35mm to 52mm)
Backset	2-3/4" (70mm) standard 2-3/8" (60mm) available
Bore	Fits 2 1/8" hole
Front	Stainless Steel or Brass, 2-1/4" x 1-1/8" (57mm x 29mm)
Strike	ANSI (4-7/8" x 1-1/4") strike standard
Roses	2-3/4" (70mm) Diameter Stainless steel or brass base metal
Handing	Non-handed
Latchbolt	Stainless steel 17/32" (13.5mm) throw standard. 3/4" (19mm) throw available
Cylinder	Solid brass 6-pin cylinder Schlage C keyway with two keys per lock standard.
IC Core	Solid brass 6 or 7-pin core sold separately
Keying	Keyed Different (KD) standard. Available Masterkeyed (MK), Keyed Alike (KA) and Construction Masterkeyed (CMK) see Keys and Keying section for additional options
Finishes	C32D(630) knobs. Other finishes available by order with extended lead time

KNOB DESIGN

0/B



5000 SERIES STANDARD LOCK FUNCTIONS

Illustration	Non-Keyed	Function	ANSI Number	Description
	LH5001	Passage	F75	Latchbolt retracted by knob/lever on either side
	LH5022	Privacy	F76	Pushbutton locks outside knob/lever Turning inside knob/lever or emergency turn unlocks outside knob/lever Inside knob/lever always active
	LH5000	Single Dummy	—	Single dummy trim for one side of door Used for door pull or as matching inactive trim
Illustration	Keyed	Function	ANSI Number	Description
	LH5003	Office	F82	Push button locks outside knob/lever until unlocked by key or by turning inside knob/lever
	LH5004	Entrance	F109	Turn/push button locking: pushing/turning button locks outside knob/lever requiring key until button is manually unlocked Push button locking: pushing button locks outside lever until unlocked by key or by turning inside knob/lever
	LH5005	Classroom	F84	Outside knob/lever locked and unlocked by key Inside knob/lever always unlocked
	LH5007	Storeroom	F86	Outside knob/lever is fixed Entrance by key only Inside knob/lever always unlocked
	LH5025	Communicating (Double classroom)	F80	Latchbolt retracted by knob/lever on either side unless locked Key locks or unlocks its own knob/lever
	LH5027	Institutional (Double Storeroom)	F87	Both knobs/levers always locked Latchbolt retracted by key from either side
	LH5032	Classroom Security Lock		Key in either lever locks or unlocks outside lever, inside lever is always unlocked



LAWRENCE[®]
HARDWARE



LOCKSETS 5300 SERIES



5300 Series Cylindrical Grade 2 Standard Duty Commercial Levers



APPLICATION

- Designed for medium to high traffic commercial applications

FEATURES

- Quality heavy duty return springs to reduce lever sag
- Heavy rose liner material provides attack resistance
- Heat treated heavy gauge steel spindles
- The rose assembly is adjustable for door thickness
- Specify clutching or non-clutching when ordering.
- No exposed mounting screws
- Through Bolt Mounting posts 2-5/8" centre to centre provided, to prevent chassis rotation

CERTIFICATIONS

- ANSI/BHMA certified A156.2 Series 4000 Grade 2 tested to 500,000 cycles
- ADA Compliant A117.10
- UL10C Listed - Positive Pressure Fire Test of Door Assemblies upto 3 hr. for hollow metal doors
- CAN/ULC-S104 Listed - Standard Method for Fire Tests of Door Assemblies

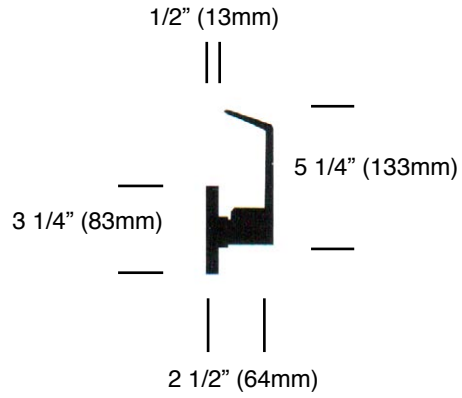
SPECIFICATIONS

Door thickness	For doors 1-3/8" to 1-3/4" thick (35mm to 44mm)
Backset	2-3/4" (70mm) standard 2-3/8" (60mm) optional
Bore	Fits 2 1/8" hole
Front	Stainless Steel or Brass, 2-1/4" x 1-1/8" (57mm x 29mm)
Strike	ANSI (4-7/8" x 1-1/4") strike standard, Wood Door strike (T-Strike) optional
Roses	3-1/4" (90mm) Diameter Stainless steel or brass
Handing	Non-handed
Latchbolt throw	Stainless steel 1/2" (12.5mm)
Cylinder	Solid brass 6-pin cylinder Schlage C keyway with two keys per lock standard. Weiser
Keying	Solid brass 6-pin cylinder Schlage C keyway with two keys per lock standard. Weiser keyway available by order
	Keyed Different (KD) standard. Available Masterkeyed (MK), Keyed Alike (KA) and Construction Master keyed (CMK) - Refer Keys and Keying section for additional options
Finishes	C19 (622) C26D (626), C10B (613), C3 (605) for levers. Other finishes available by special order with extended lead time

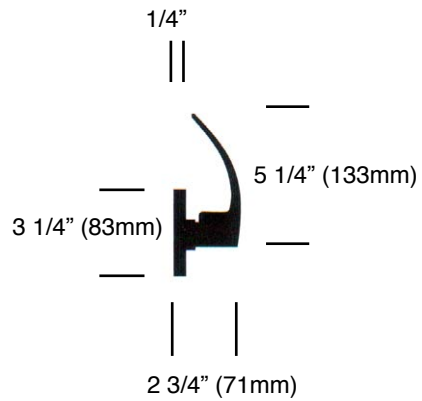
LEVER DESIGNS



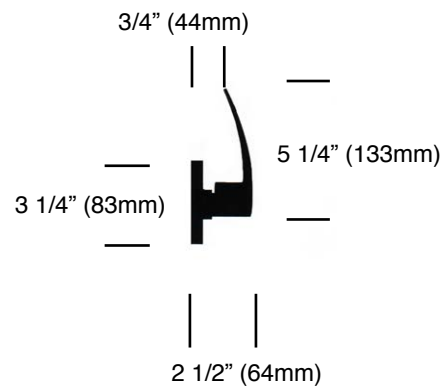
L LEVER



R LEVER



G LEVER



5300 Series Cylindrical Grade 2 Standard Duty Commercial Knobs



APPLICATION

- Designed for medium to high traffic commercial applications. Interior office doors, banks, retail spaces and hotel guest areas

FEATURES

- Heavy gauge cold rolled steel spindles
- The rose assembly is adjustable for door thickness
- * No exposed mounting screws
- Non-handed

CERTIFICATIONS

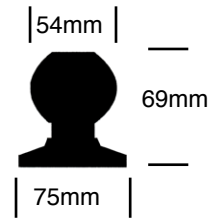
- ANSI/BHMA certified A156.2 Series 4000 Grade 2 tested to 500,000 cycles
- * UL10C Listed - Positive Pressure Fire Test of Door Assemblies upto 3 hr. for hollow metal doors
- * CAN/ULC-S104 Listed - Standard Method for Fire Tests of Door Assemblies

SPECIFICATIONS

Door Thickness	1-3/8" (35mm) to 1-3/4" (44mm)
Backset	2-3/4" (70mm) standard 2-3/8" (60mm) available
Bore	Fits 2-1/8" hole
Front	Stainless Steel or Brass, 2-1/4" x 1-1/8" (57mm x 29mm)
Strike	ASA (4-7/8" x 1-1/4") strike standard, Wood Door strike (T-Strike) available
Roses	2-3/4" (70mm) Stainless steel or brass
Handing	Non-handed
Latchbolt throw	Stainless steel 1/2" (12.5mm) throw standard
Cylinder	Solid brass 6-pin cylinder Schlage C keyway with two keys per lock standard.
Keying	Weiser keyway available by order keying Keyed Different (KD) standard. Available Masterkeyed (MK), Keyed Alike (KA) and Construction Master keyed (CMK) see Keys and Keying section for additional options
Finishes	C32D(630) for knobs. Other finishes available by special order with extended lead time

KNOB DESIGN

0/B







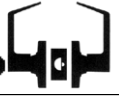




5300 SERIES STANDARD FUNCTIONS

NON-KEYED	FUNCTION	ANSI NUMBER
LH5301	Passage	F75
LH5322	Privacy	F76
LH5300	Single Dummy	--
LH5328	Communicating Latch (Exit)	--
KEYED		
LH5303*	Office	F82
LH5304	Entrance	F109
LH5305	Classroom	F84
LH5307	Storeroom	F86
LH5325	Communicating (double classroom) no clutch	F80
LH5327	Institutional (double storeroom) no clutch	F87

Note:* extended lead time

5300 SERIES STANDARD FUNCTIONS

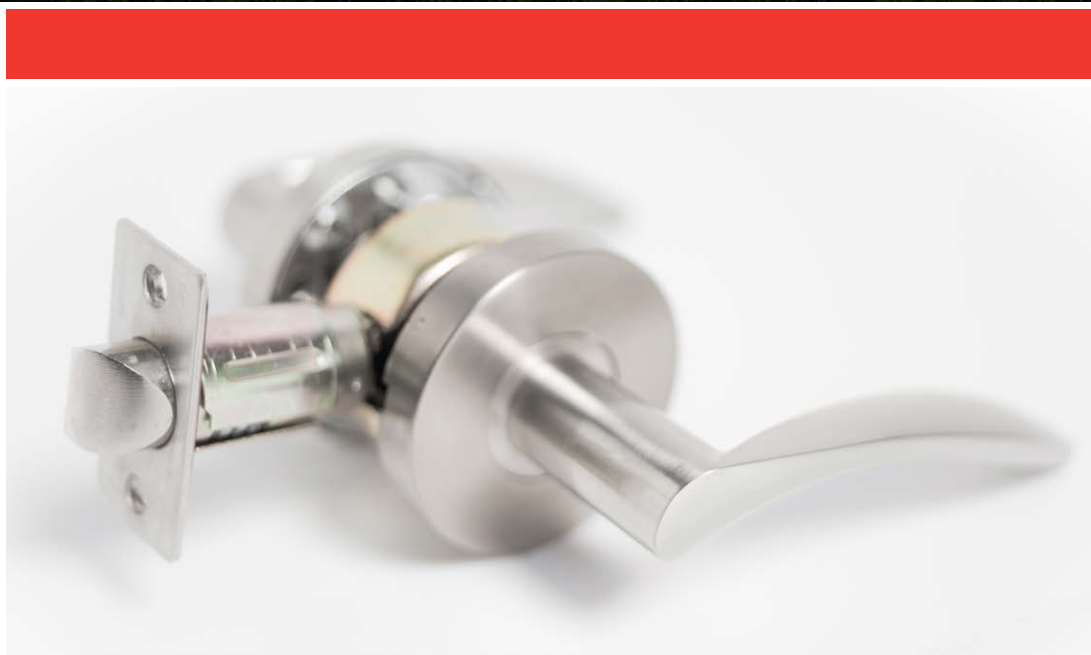
Illustration	Non-Keyed	Function	ANSI Number	Description
	LH5301	Passage	F75	Latchbolt retracted by knob/lever on either side
	LH5322	Privacy	F76	Pushbutton locks outside knob/lever Turning inside knob/lever or emergency turn unlocks outside knob/lever Inside knob/lever always active
	LH5300	Single Dummy	—	Single dummy trim for one side of door Used for door pull or as matching inactive trim
	LH5328	Communicating Latch (Exit)	—	For twin communicating or exit doors where one side operation is required Blank rose outside Inside lever operational
Illustration	Keyed	Function	ANSI Number	Description
	LH5303	Office	F82	Push button locks outside knob/lever until unlocked by key or by turning inside knob/lever
	LH5304	Entrance	F109	Turn/push button locking: pushing/turning button locks outside knob/lever requiring key until button is manually unlocked Push button locking: pushing button locks outside lever until unlocked by key or by turning inside knob/lever
	LH5305	Classroom	F84	Outside knob/lever locked and unlocked by key Inside knob/lever always unlocked
	LH5307	Storeroom	F86	Outside knob/lever is fixed Entrance by key only Inside knob/lever always unlocked
	LH5325	Communicating (Double classroom)	F80	Latchbolt retracted by knob/lever on either side unless locked Key locks or unlocks its own knob/lever
	LH5327	Institutional (Double Storeroom)	F87	Both knobs/levers always locked Latchbolt retracted by key from either side



LAWRENCE[®]
HARDWARE



LEVERSETS LH 5300T SERIES



LH 5300T**APPLICATION**

- For multi-family, high rise suite entry and interior door application

FEATURES

- 5300T Series Modular Cylindrical Chassis.
- Exquisite stock designer trims
- Internal and External spring assemblies ensure long-term, smooth, sag-free lever action

SPECIFICATION

- Backset - 2-3/8" (60 mm) or 2-3/4" (70mm) - Please specify at the time of order
- Fits all standard 2-1/8" bore, 161 door preps

FUNCTION

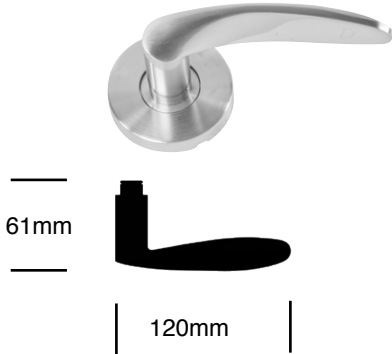
- Available in Passage (5301T) and Privacy (5322T) functions

CERTIFICATION

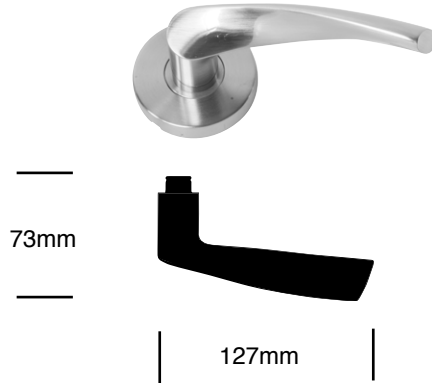
- Listed to UL10B - 20 min for fire rated door assemblies
- Conforms to ANSI/BHMA A156.2 Grade 2 tested to 500,000 cycles

5300T SERIES DESIGNER LEVER DESIGNS

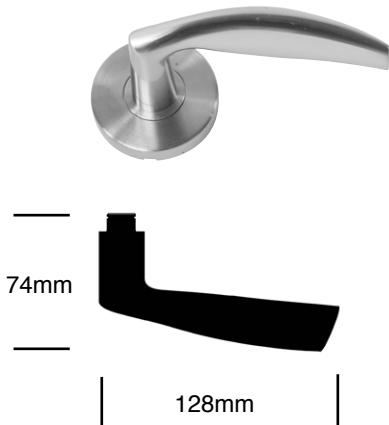
101 MATISSE*



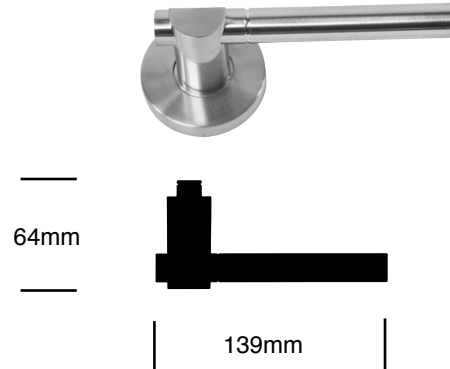
102 PICASSO*



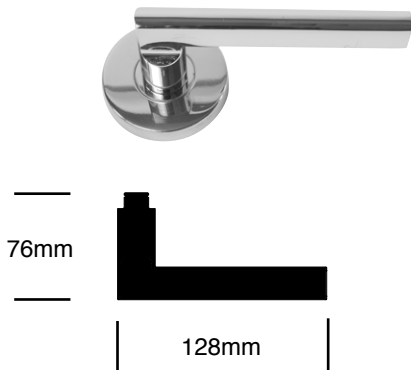
113 DALI*



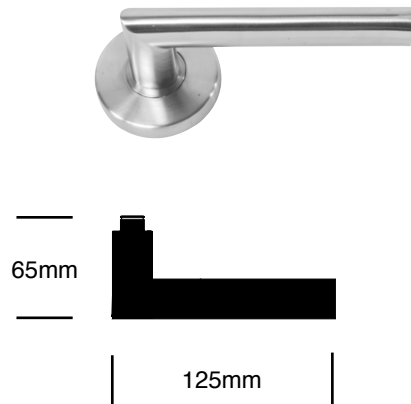
116 MONDRIAN*



119 LOGAN

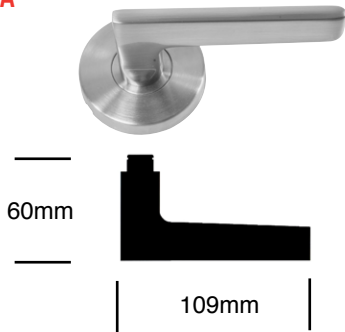


126 STELLA

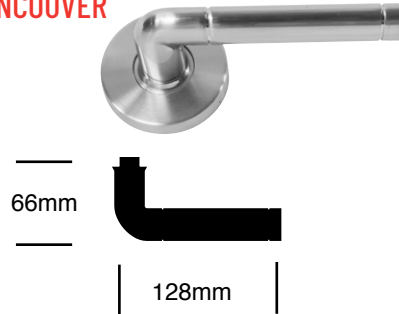


* Note: Handed lever

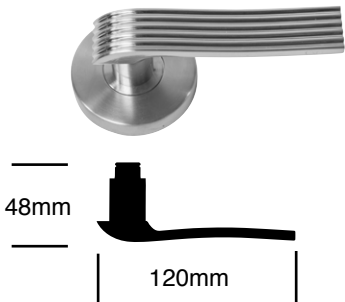
136 MUNA



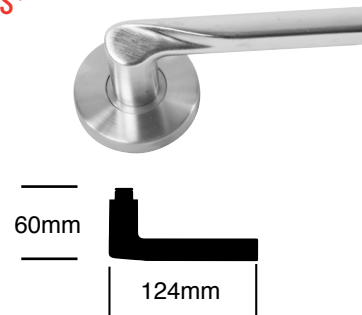
167 VANCOUVER



204 WAVE



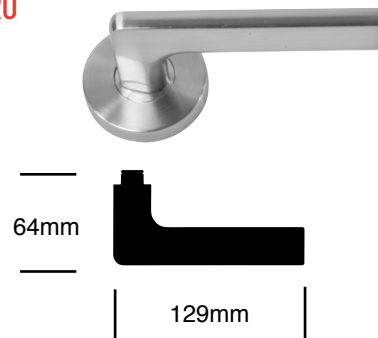
208 AQUIS*



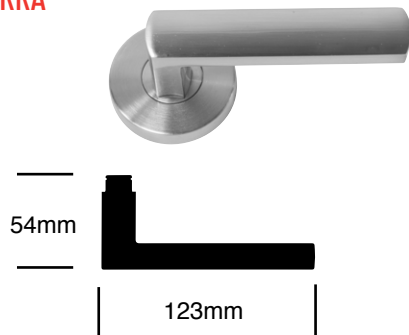
420 BELLA*



423 MIRO



422 SERRA



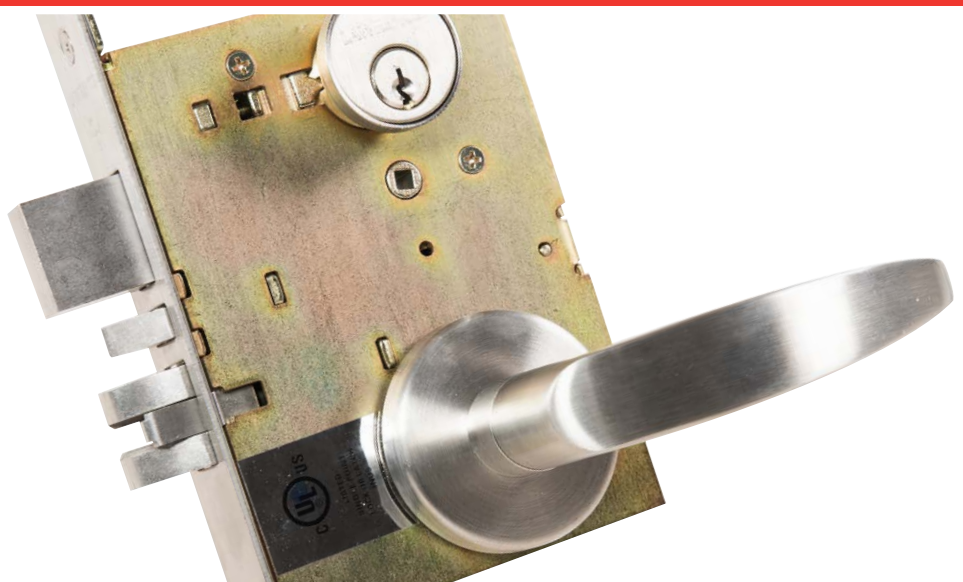
* Note: Handed lever



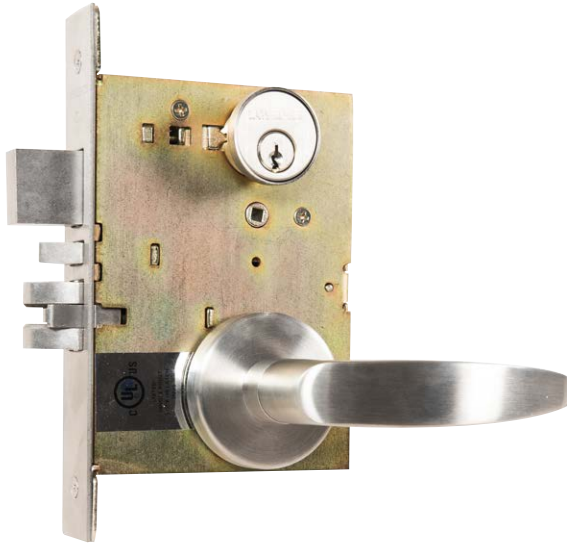
LAWRENCE[®]
HARDWARE



LOCKSETS 8700 SERIES



8700 Series Mortise Lockset Grade 1 Heavy Duty



APPLICATION

- Ideal for high frequency doors in public buildings, residential building, commercial, hospitality, healthcare and educational applications Heavy duty

FEATURES

- Latchbolt and deadbolt are fabricated from stainless steel
- Internal parts are fabricated from high strength steel alloy
- Mortise lock case and internal components are treated to ensure corrosion resistance
- Lockcase can be reversed without disassembling the lock body
- High strength steel alloy cylinder retainer
- Two piece anti friction latchbolt reduces wear and tear
- Hub blocking plate guards against spindle manipulation
- Self adjusting tabs on case
- Consistent dependable operation stands up to rigorous use and abuse
- Field reversible
- Concealed thru bolts
- Standard and designer trims available

CERTIFICATIONS

- Certified to ANSI/BHMA A156.13 Grade 1 tested to 1,000,000 cycles
- UL10C Listed - Positive Pressure Fire Test of Door Assemblies upto 3 hr. for hollow metal doors
- ADA Compliant ANSI A117.1 Accessibility Code
- CAN/ULC-S104 Listed - Standard Method for Fire Tests of Door Assemblies
- Deadbolt function compliant to Ontario Building Code - Resistance to Forced Entry for Doors
- Conforms to ANSI A115.1 - standardize dimensional requirements for hardware preparations

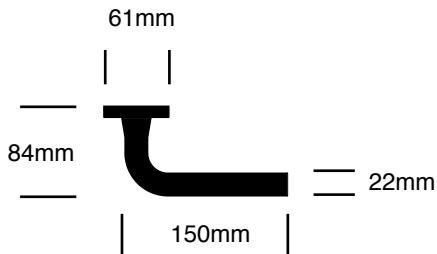
SPECIFICATIONS

Case size	4-5/16" x 6" x 1" (110mm x 152mm x 25mm)
Armour Front	1-1/4" x 8" (32mm x 203mm)
Backset	2-3/4" (70mm) only
Door Thickness	1-3/4" (44mm). standard; Please check with factory for other door thickness
Deadbolt throw	1" (25mm) throw
Latchbolt throw	3/4" (19mm) throw, with anti-friction tongue
Handing	Non-handed
Through Bolts	Through bolted trim aligns with mortise lock case
Stop works	Incorporated into thumbturn
Strike	ANSI (1-1/4" x 4-7/8") Curved lip, square corner. Extended lip strikes available
Spindles	Preventing forced entry or lock damage
Cylinder	6 pin cylinder standard, with two keys, "C" keyway
IC Core	Interchangeable Core (IC) available
Cam	All cylinder functions use standard butterfly style cam
Cylinder Collar	Compression ring and collar supplied standard
Fasteners	Concealed under the rose or escutcheon
Finishes	Standard levers C19 (622) C32D (630), Designer levers C32D (630), C19 (622) Other finishes available with extended lead time

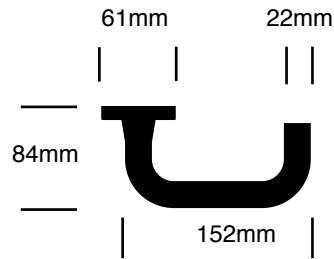
8700 SERIES STANDARD LEVER DESIGNS



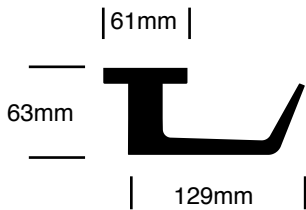
L801 (HOLLOW)



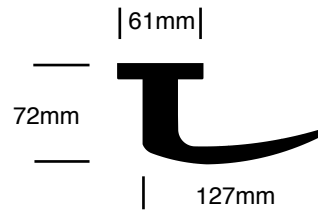
L802 (HOLLOW)



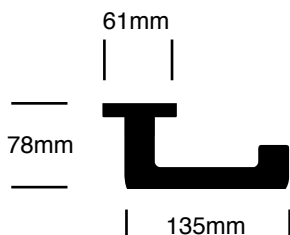
L811



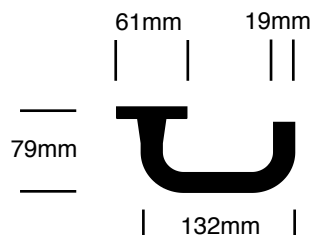
L812



L813



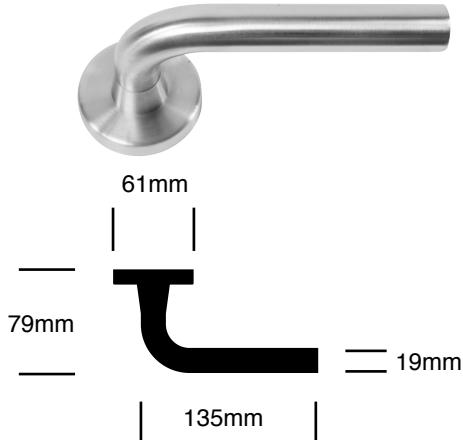
L814



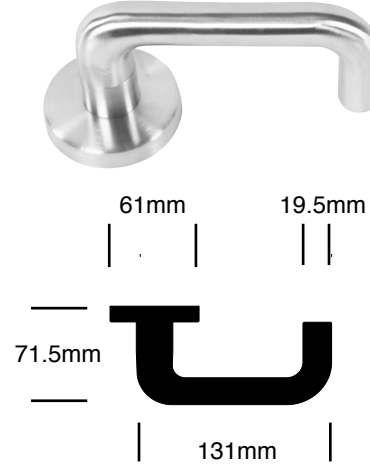
8700 SERIES STANDARD LEVER DESIGNS



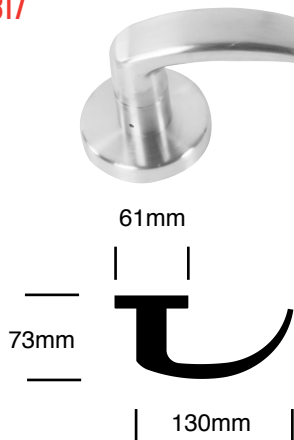
L815



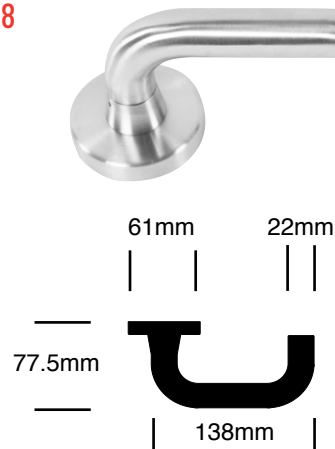
L816



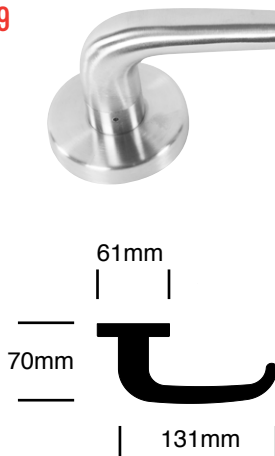
L817



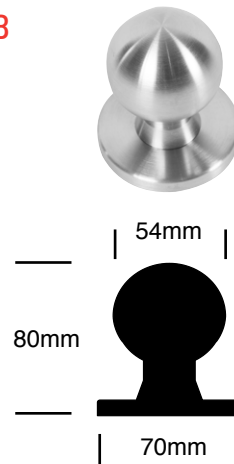
L818



L819

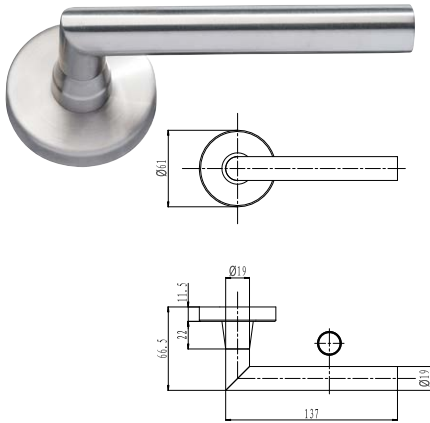


BALL KNOB

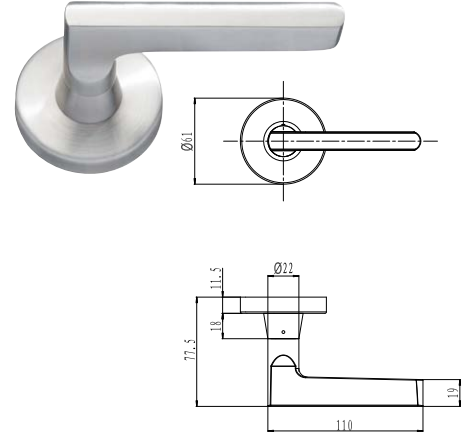


8700 ANSI Designer Levers

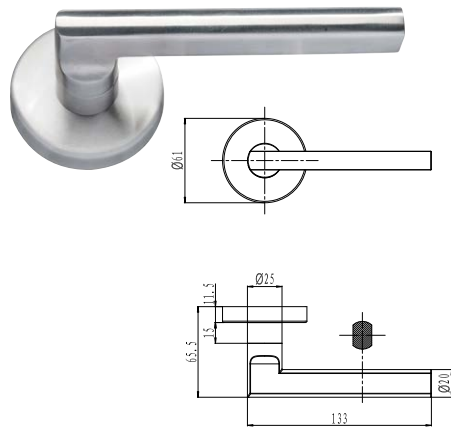
**N002
HOUSTON**



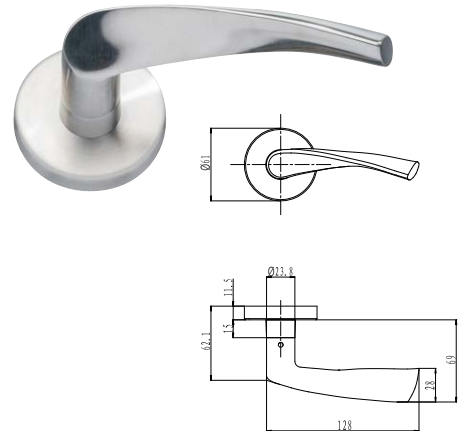
**N136
MUNA**



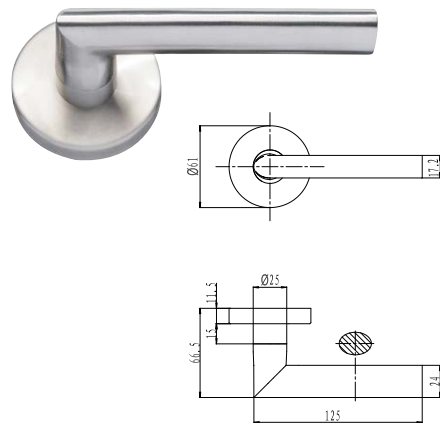
**N119
LOGAN**



**N102
PICASSO**

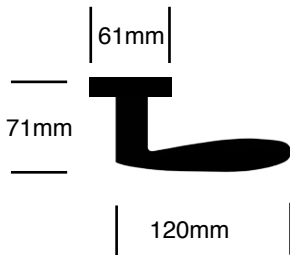


**N126
STELLA**

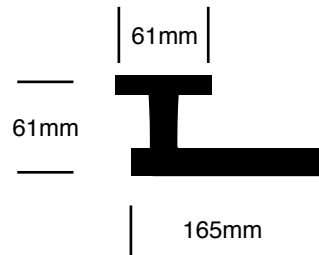


8700 ANSI Designer Levers

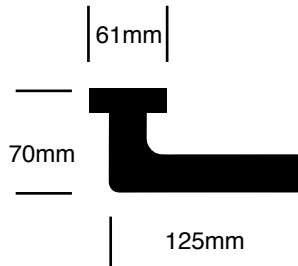
**N101
MATISSE**



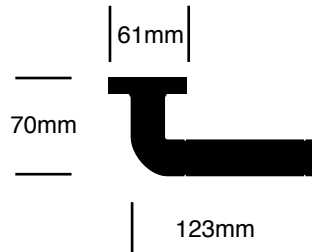
**N156
WINNEPEG**



**N423
MIRO**



**N167
VANCOUVER**

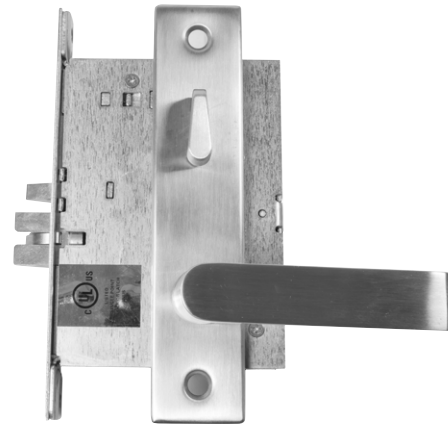
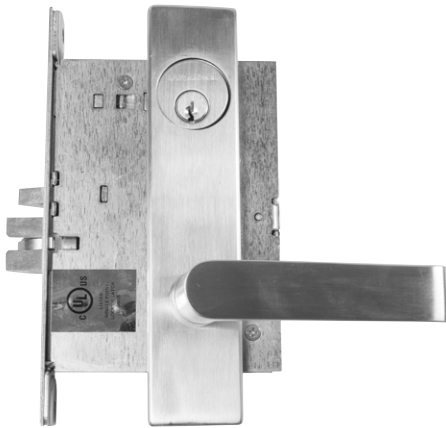


Escutcheon Plates

ESC1 OUTSIDE

1 3/4" (44mm) WIDE x 7 15/16" (202mm) HIGH x
7/16" (11mm) THICK

ESC1 INSIDE



NOTE: ESCUTCHEONS AVAILABLE FOR ALL FUNCTIONS

8700 Series Standard Functions

NON KEYED WITHOUT DEADBOLT

PART NUMBER	FUNCTION	ANSI NUMBER
-------------	----------	-------------

LH8701	Passage	F01
LH8722	Privacy	F22

KEYED WITHOUT DEADBOLT

LH8704	Office	F04
LH8705	Classroom	F05
LH8707	Storeroom	F07

KEYED WITH DEADBOLT

LH8713	Corridor	F13
LH8714	Store door	F—
LH8720	Entrance	F20
LH8721	Dormitory	F21

DEADBOLT FUNCTIONS

LH8717	Deadbolt with turn	F17
LH8718	Deadbolt w/o turn	F18

Note: Other functions available upon request











8700 SERIES OPTIONS

- Lead Lined Mortise Body
- Torx Plus Fasteners
- Coin Turn
- Accessible thumb turn
- Occupied Indicator
- Anti microbial coating

Note: No BHMA / UL Listing available for 8700 Series Mortise Lockset Options

*Note: Our stock EL/EU locks are with REX.

8700 SERIES STANDARD LOCK FUNCTIONS

Illustration	Non-Keyed	Function	ANSI Number	Description
	LH8701	Passage	F01	Latchbolt retracted by knob/lever on either side
	LH8722	Privacy	F22	Latchbolt retracted by knob/lever on either side unless outside is locked by thumbturn Operating inside knob/lever or emergency turn outside unlocks outside Inside knob/lever always active
Illustration	Keyed without deadbolt	Function	ANSI Number	Description
	LH8704	Office	F04	Latchbolt retracted by knob/lever from either side unless outside is locked by key outside or by turning inside thumbturn When outside is locked, latchbolt is retracted by key outside or by knob/lever inside. Outside knob/lever remains locked until thumbturn is returned to vertical or unlocked by key Auxiliary latch deadlocks latchbolt when door is locked Inside knob/lever always free
	LH8705	Classroom	F05	Latchbolt retracted by knob/lever from either side unless outside is locked by key. Unlocked from outside by key. Auxiliary latch deadlocks latchbolt when door is locked Inside knob/lever is always free for immediate egress
	LH8707	Storeroom	F07	Latchbolt retracted by key outside or by knob/lever inside Outside knob/lever always locked Auxiliary latch deadlocks latchbolt when door is locked Inside knob/lever is always free for immediate egress
Illustration	Keyed with deadbolt	Function	ANSI Number	Description
	LH8713	Corridor	F13	Latchbolt retracted by knob/lever from either side Deadbolt thrown or retracted by key outside or inside thumbturn Throwing deadbolt locks outside knob/lever Turning inside knob/lever simultaneously retracts deadbolt and latchbolt and unlocks outside knob lever Inside knob/lever is always free for immediate egress
	LH8720	Entrance	F20	Latchbolt retracted by knob/lever from either side unless outside is locked by 20 degree rotation of thumbturn Deadbolt thrown or retracted by 90 degree rotation of thumbturn When locked, key outside or knob/lever inside retracts deadbolt and latchbolt simultaneously Outside knob/lever remains locked until thumbturn is restored to vertical position Throwing deadbolt locks outside knob/lever Auxiliary latch deadlocks latchbolt when door is locked Inside knob/lever is always free for immediate egress
	LH8721	Dormitory	F21	Latchbolt retracted by knob/lever from either side Deadbolt thrown or retracted by key outside or thumbturn inside
Illustration	Deadbolt Functions	Function	ANSI Number	Description
	LH8717	Deadbolt with Turn	F17	Deadbolt thrown or retracted by key outside or thumbturn inside
	LH8718	Deadbolt without Turn	F18	Deadbolt thrown or retracted by key outside



LEAD LINED

1/8" thick lead plate installed on case cover for use on x-ray room doors



TORX SECURITY

Enhance security and reduce tampering with the use of Torx security fasteners



**COIN TURN
CYLINDER**

For Emergency override



**ACCESSIBLE THUMB
TURN**

Available for rose trim only

ANTIMICROBIAL

Lawrence Hardware offers a wide range of architectural products with antimicrobial coating

Occupied Indicators

2 1/16" DIA



INDICATOR R/W

Red/White indicator with coin turn

1 15/16" DIA



INDICATOR R/GRN

Red/Green indicator with coin turn

1 5/8"

3 1/4"



INDICATOR DND

Blank / Do not Disturb actuated by thumb turn for rose turn only



LAWRENCE[®]
HARDWARE



CYLINDERS KEYING INFORMATION



Cylinder Options

Cylinders are not supplied when ordering exit device or trim. Please order separately. The pages detailing exit device trim designs and functions advise cylinder type required.

Mortise Cylinder

STANDARD TYPE

526



Rim Cylinder

STANDARD TYPE

426



INTERCHANGEABLE CORE (SFIC)

208



INTERCHANGEABLE CORE (SFIC)

308



SMALL FORMAT INTERCHANGEABLE CORE (SFIC)

LH-7 PIN IC CORE



KEY IN KNOB (KIK), KEY IN LEVER (KIL) CYLINDER

K001



LARGE FORMAT INTERCHANGEABLE CORE (LFIC)

LH-IC CORE LARGE FORMAT



Please specify tailbar and keyway

Note: Standard cylinder is 1-1/4" long. SFIC cylinders are 1-3/8" long. LFIC cylinders are 1-1/2" long. Please specify cam.

KEYING INFORMATION

Lawrence Hardware has a full service keying department. We offer the following services:

- MK Masterkeying
- KA Keying alike
- KD Keyed different (standard)
- CMK Construction Master Keying
- VKC Visual Key Control (for keys)
- CKC Concealed Key Control (for cylinders)

When ordering master key systems it is important to consider all of the items below. If information is missing the order may be placed on hold until the missing information is provided.

1. Job name and location

2. System is new _____ or existing_____

3. Highest level of system: 1-SKD_____, 2-MK_____, 3-GM_____, or 4-GGM_____

4. System type: Standard cylinders _____, SFIC (small format interchangeable core)_____ or LFIC (large format interchangeable core)_____

5. Cylinder_____ and Key stamping_____ if required must be specified

6. Key quantities for operating keys_____, master keys_____, control keys_____ and construction keys_____

7. If construction keying_____ is required please specify

8. Packaging: Pack keys w ith locks_____ or pack separately_____

9. Branded_____ or non-branded cylinders_____

10. Branded_____ or non-branded keys_____

11. Additional Information



S E C T I O N

5



**Electrified
Products**

ELECTRIFIED PRODUCTS

ELECTRIFIED PRODUCTS

8700 Series Electrified Mortise Locks 179

8700 Series Electrified Latch Retraction (ELR) Mortise Locks (Solenoid) 180

8700 Series Electrified Latch Retraction (ELR) Mortise Locks (Motor) 180

Electrified Panic Trim 181

8000 Series Motorized Latch Retraction Exit Device 182

Alarmed Exit Devices (ALK) 183

- EMERGENCY EXIT ONLY 183
- PUSH TO OPEN ALARM WILL SOUND 183

5000 Series Electrified Cylindrical Locks 184

Power Transfer Butt Hinges (ETW) 185

- Plug in Connector (PIC) 186

Concealed Door Loops 187

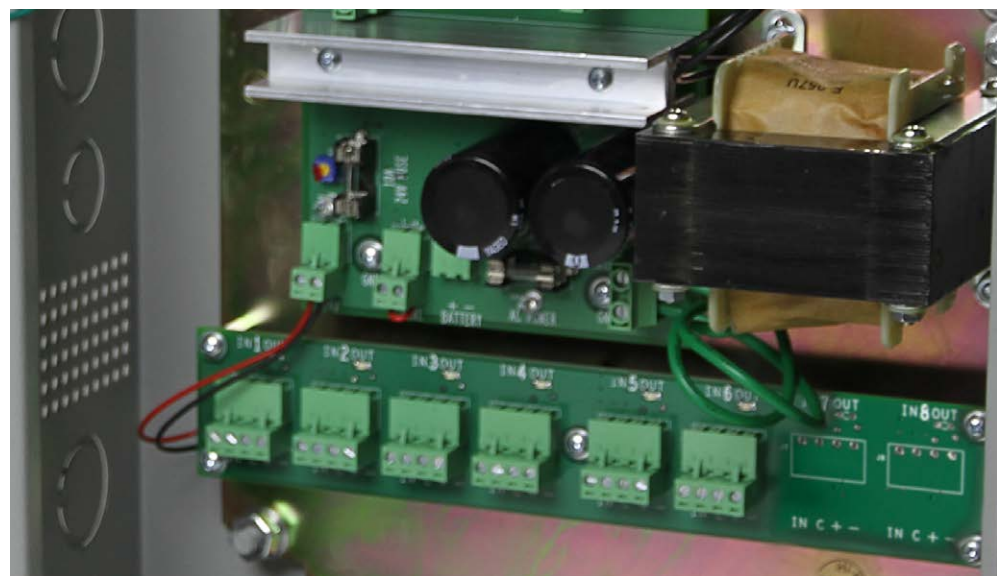
Surface Door Loop 188



LAWRENCE[®]
HARDWARE



ELECTRIFIED PRODUCTS



8700 Series Electrified Mortise Locks

- The electrified mortise lock allows remote keyless access and egress control for heavy use applications where security, safety and convenience are required. Common applications include security control rooms, cashier rooms, stairwell doors, telephone equipment rooms, IT departments and hospital equipment and narcotics storage areas.
- Electrified mortise locks can be purchased complete with trim or the chassis may be purchased separately to retrofit with existing Lawrence Hardware Trim.
- Actuating devices include card readers, wall switches, security consoles, remote release buttons, telephone access controls and many more.



FEATURES

- Continuous duty solenoids
- Reversible handing
- Low current Draw

OPTIONS

- Available EL Electrically Locked (Fail Safe)
- EU Electrically Unlocked (Fail Secure)
- Request to exit (RX)
- Latchbolt Monitor Switch (LBM)
- Specifications
- Operating voltage - 12 or 24 VDC please specify when ordering
- Amperage - 12V = 700mA / 24V = 350mA
- Coil resistance - 12V = 18 Ohms / 24V = 69 Ohms
- Power consumption - 8 watts

8700 Series Electrified Latch Retraction (ELR) Mortise Locks (Motor)



FEATURES

- Utilizes Patented Technology
- Built-in Smart Module: Simplifies installation, low current draw & provides latch sensing status. QUIET
- Rated for continuous duty
- Up to 300' wire run with 2-18ga wire
- 8' cable with Quick Connect to easily connect to power supply lead
- REX & LBM switches available.

SPECIFICATIONS

- Voltage range - 24 +/- 10%
- System protection - unit shutdown when voltage exceeds 28VDC
- Standard - Average Current Peak: 1A, Average Current Hold: 300mA

Electrified Panic Trim

Our exit device trim is perfect for stairwell conditions and applications, where electric latch retraction of the exit device's latchbolt(s) is cost prohibitive or not required

This is especially practical in applications where fire/life safety codes require a "fail safe" condition, which is not an option with electrified latch pullback devices



FEATURES

- Continuous duty solenoids used to ensure trouble-free operation
- Internally mounted solenoid means easy installation due to no special prep required
- Low current draw means there is no need for
- a expensive power supply to provide the inrush current.

OPTIONS

- Available Fail Safe (Electrically Locked) or Fail Secure (Electrically Unlocked)
- Voltage options - 12 or 24VDC

SPECIFICATIONS

- Operating Voltage - 12 or 24V must be specified when ordering
- Amperage - 260mA at 12V / 160mA at 24V
- Coil resistance - 12V = 49 Ohms / 24V = 159 Ohms

8000 Series Motorized Latch Retraction Exit Device

Our electric latch retraction exit device allows for remote keyless, mechanical or electronic, access control in high occupancy/high traffic conditions where exit devices are required. Common applications included hospitals, airports, schools, churches and increasingly common used in conjunction with automatic door openers

FEATURES

- This is a very robust motorized latch retraction unit for our 8000 Series exit devices
- Comes with smart module: On board diagnostics with audible feedback for adjustment and power issues
- Push to set (PTS): 5 second electronic adjustment for post installation
- Electric dogging rated for continuous duty - auto retraction if dogged push pad is pulled from position
- Low current draw
- Field switchable to a "high torque" mode
- 6' cable with quick connect

VOLTAGE

- Voltage range - 22 to 28 VDC
- System protection - unit will shut down when voltage exceeds 28VDC
- Average in rush current - 1A
- Average hold current - 180mA

WIRE RUN

- 500' with 18ga wire
- 700' with 16ga wire

POWER SUPPLIES

- Recommended - PS210, PS220 or PS440

OPTIONAL

- Request to exit (REX)



Alarmed Exit Devices (ALK)

All 8000 Series Exit Devices can be converted into alarm devices. This feature is designed to deter, with the alarm, unauthorized use of the opening. To warn someone who might open a controlled door the push bar is printed with



EMERGENCY EXIT ONLY

PUSH TO OPEN ALARM WILL SOUND

The alarm module is operated by a 9VDC battery. Monitors push bar, latch bolt and end cap. When the push bar is depressed or the latch bolt is retracted by the outside trim, the alarm will sound. Tampering with end cap will also trip alarm. Use suffix ALK to order



5000 Series Electrified Cylindrical Locks

The electrified cylindrical lock allows remote keyless access and egress control for commercial applications where security, safety and convenience are required. Common applications include security control rooms, classrooms, meeting rooms, telephone equipment rooms and IT departments.

Actuating devices include card readers, wall switches, security consoles, remote release buttons, telephone access controls and many more.



FEATURES

- Continuous duty solenoids
Non Handed
- Low current Draw
- 1 year warranty

OPTIONS

- Available EL Electrically Locked (Fail Safe)
- EU Electrically Unlocked (Fail Secure)
- Request to exit (RX)

SPECIFICATIONS

- Operating voltage - 12 or 24 VDC please specify when ordering
- Amperage - 12V = 250mA / 24V =150mA
- Coil resistance - 12V = 49 Ohms / 24V =159 Ohms
- Power consumption - 3 Watts



Power Transfer Butt Hinges (ETW)

The Electric Through wire Hinge (ETW) is the ideal way to pass low voltage power from the hinge jamb to the lock set without having any exposed wires. These hinges are commonly used with electric mortise & cylindrical locks, electric strikes (when on a pair of doors), electric exit trims, latch pullback devices, door mounted card readers and low voltage door lights.

FEATURES

- UL-F Rated
- 4' lead available
- Quick connect optional
- Plugin Connector (PIC) available

SPECIFICATIONS

- 2W (2/20ga)
- 4W (4/26ga)
- 8W (8/28ga)
- 12W (12/28ga)
- Other wire configurations available



PLUG IN CONNECTOR (PIC)

Plug in connector. Makes connection in field faster and creates a positive interlock between the hinge side of door and the device the hinge is connected to. Specify: "PIC" and wire gauge, and number of wires when ordering.

Concealed Door Loops

The patented Concealed Door Loop (CDL) is a low cost method of transferring low voltage power from the door frame to the locking device. Whereas typical door loops are surface mounted and remain constantly visible, the CDL slides into the door and/or frame completely concealing itself when the door is closed. Common applications include: use with continuous hinges, storefront conditions where offset hinges are used, and for most applications where ETH hinges or conventional door loops would be used. The CDL's aesthetic appeal will benefit retrofits and new installations alike.



FEATURES

- Durable finish
- Special 1/4" flexible armoured conduit (i.d. 1/4")
- Supports up to 180° swing (Standard Butt and Continuous hinge applications)
- Easy installation
- Variable mounting locations

MODELS

FUNCTION

FINISH

CDL	Standard	Aluminum
CDL-FX	One side fixed	Black Anodized

OPTIONS

- CDL-EXT extended 12"
- CDL-EXT2 extended 18"

Surface Door Loop

The surface door loop provides a safe way to transfer power when concealed methods are not possible. With flexible armoured conduit (i.d. 9/32") and end caps, the DL20 door loop offers a field sizable (18" - 20"), surface applied solution in aluminium or duronotic finishes.



MODEL	FUNCTION	FINISHES
DL-20	Standard	Aluminum Black Anodized

SPECIFICATIONS

- 2W (2/20ga)
- 4W (4/26ga)
- 8W (8/28ga)
- 12W (12/28ga)
- Other wire configurations available



LAWRENCE

S E C T I O N

6

Accessories

ACCESSORIES

ACCESSORIES

Door Coordinators 193

- LH6600 Coordinator Drop Down Style 193
- LHSMSC-410 194

Surface Mounted Door 195

Coordinator 195

- LHSMC-42 195
- LHSMC-52 195
- LHSMC-60 196
- LH-MB3 196

Automatic Flush Bolts 197

- LH610M - For Metal Doors 197
- LH610W - For Wood Doors 197

Constant Latching Flush Bolt 198

- LH510M - For Metal Doors 198
- LH510W - For Wood Doors 198

Universal Flush Bolts 199

- Universal Automatic Flush Bolts 199
- LHFB820 (pair of 810) 200
- Universal Self latching Flush Bolt 200
- LHFB780 (FB710 +FB810) 200
- Universal Automatic Flush bolt less bottom bolt 201
- LHFB810 + LHFL001 201
- Universal Self Latching Flush bolt less bottom bolt 201
- LHFB710 + LHFL001 201

Fire Latch Bolt 202

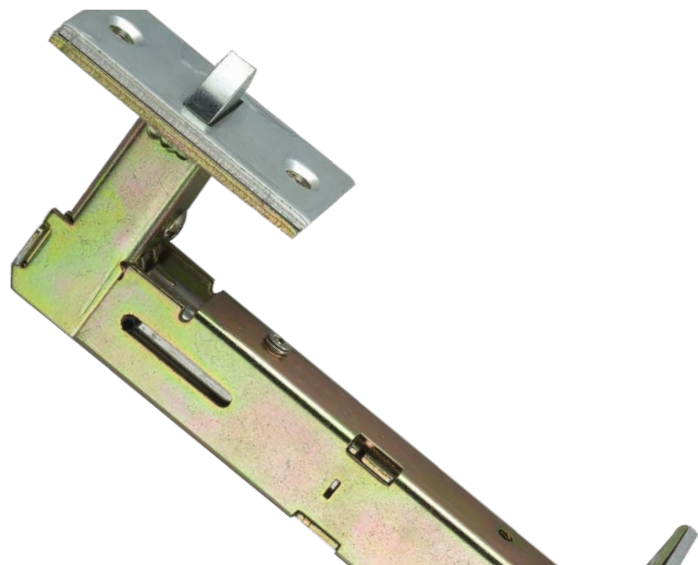
- LHFL001 202
- Fire Latch Bolt (LHFL001) Installation 202



LAWRENCE[®]
HARDWARE



ACCESSORIES

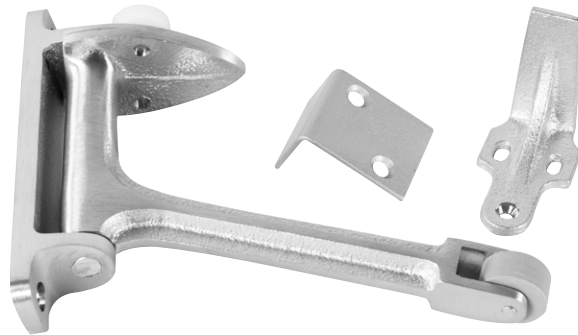


Door Coordinators

LH6600 COORDINATOR DROP DOWN STYLE

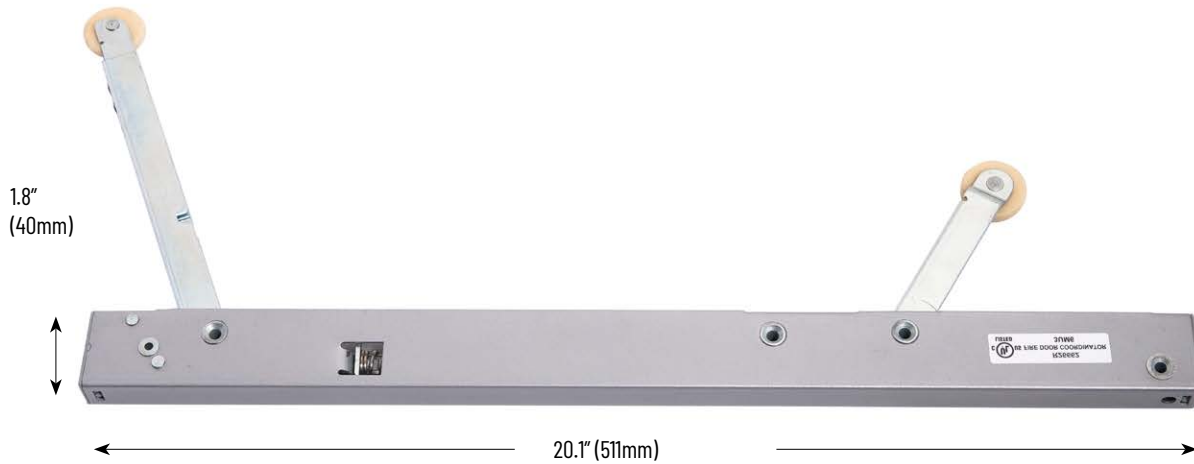
Our drop down coordinator is non-handed, UL Listed, used to coordinate the closing of pairs of doors in jamb openings 36" to 104" wide. The coordinator mechanism and inactive door brackets are cast of solid brass. The roller strike for the top of the inactive door is wrought stainless steel.

The overall projection of the coordinator arm is 7". The rubber roller at the end of the coordinator arm cushions the contact of the active door when it is closing. The reversible nylon roller which lifts the coordinator arm insures smooth and long lasting operation. A curved lip roller strike is supplied with all devices.



LHSMSMC-410

- Surface installed door co-ordinator for pairs of fire rated doors
- Purely mechanical door co-ordinator
- Non-handed
- Surface installation
- Ensures the correct sequence of door closing
- cUL listed for use with pair of swinging fire doors incorporating an astragal
- Up to 8' (2438mm) pairs of fire doors



Regulating Arm



Adjustable Length
Max 9.2" (234mm)
Min 7.7" (196mm)



Inactive Arm
3.9" (99mm)



0.79" (20mm) Thick

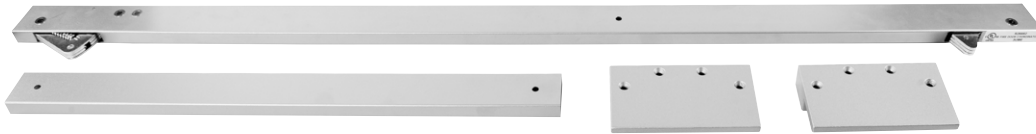
Surface Mounted Door Coordinator

LHSMC-42

C6042 (SMC-42), 42" Surface Mounted Door Coordinator, Aluminum finished with steel housing and internal parts. With F6018, 18" Filler Bar, aluminum. Comes with 2 pieces of MB2, mounting brackets for top stop width over 2-1/4".

CERTIFICATION:

- * ANSI/BHMA A156.3 - Grade 1
- * UL10C Listed - Positive Pressure Fire Test of Door Assemblies up-to 3 hrs for hollow metal doors
- * CAN/ULC-S104 Listed - Standard Method for Fire Tests of Door Assemblies
- * Approved to be used for ANSI/NFPA 80 fire rated opening.



LHSMC-52

C6052 (SMC-52), 52" Surface Mounted Door Coordinator, Aluminum finished with steel housing and internal parts. With F6018, 20" Filler Bar, aluminum. Comes with 2 pieces of MB2, mounting brackets for top stop width over 2-1/4".

CERTIFICATION:

- * ANSI/BHMA A156.3 - Grade 1
- * UL10C Listed - Positive Pressure Fire Test of Door Assemblies up-to 3 hrs for hollow metal doors
- * CAN/ULC-S104 Listed - Standard Method for Fire Tests of Door Assemblies
- * Approved to be used for ANSI/NFPA 80 fire rated opening.

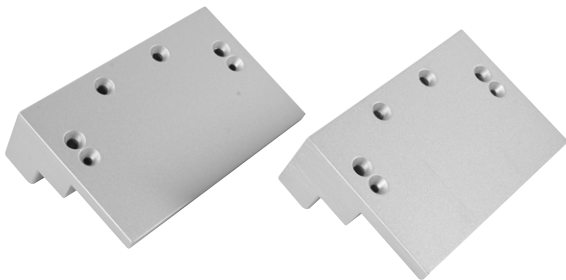
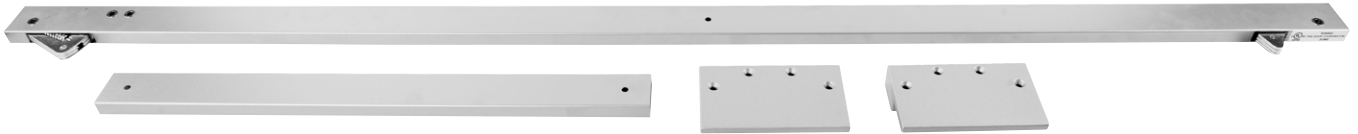


LHSMC-60

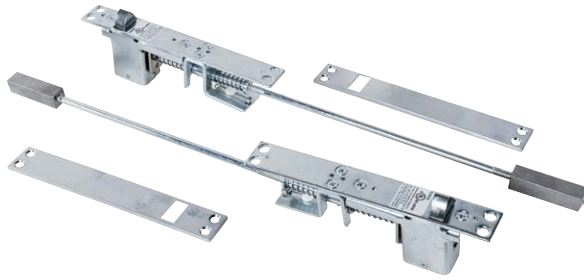
C6060 (SMC-60), 60" Surface Mounted Door Coordinator, Aluminum finished with steel housing and internal parts. With F6018, 36" Filler Bar, aluminum. Comes with 2 pieces of MB2, mounting brackets for top stop width over 2-1/4".

CERTIFICATION:

- * ANSI/BHMA A156.3 - Grade 1
- * UL10C Listed - Positive Pressure Fire Test of Door Assemblies up-to 3 hrs for hollow metal doors
- * CAN/ULC-S104 Listed - Standard Method for Fire Tests of Door Assemblies
- * Approved to be used for ANSI/NFPA 80 fire rated opening.

**LH-MB3**

2 pieces of MB3, Mounting Brackets for top stop width 7/8" to 2-1/4"



LH610M - FOR METAL DOORS

Automatic Flush Bolts

LH610M - FOR METAL DOORS

LH610W - FOR WOOD DOORS

SPECIFICATIONS

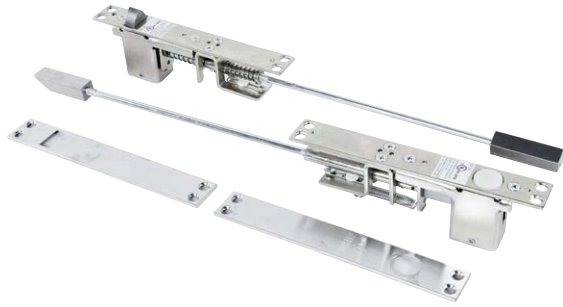
- Non-handed
- cUL/UL listed for fire doors. Label A (3 - Hour Fire Doors)
- ANSI/BHMA A156.3
- Faceplate Size:
- LH610M - 1" x 6-3/4" (25.4mm x 171mm)
- LH610W - 1" x 8-1/2" (25.4mm x 216mm)
- Finishes: C26D and C32D

OPERATION:

- Used in pairs (top and bottom bolt) on the inactive leaf of double wood or hollow metal doors
- Opening active door automatically retracts top and bottom bolts. Closing active door automatically extends top and bottom bolts
- Can be used as top bolt only when combined with LHFL001
- The LHFL001 is a auxiliary fire latch bolt, temperature actuated, that extends from the active door into the inactive door.



LH610W - FOR WOOD DOORS



LH510M - FOR METAL DOORS

Constant Latching Flush Bolt

LH510M - FOR METAL DOORS

LH510W - FOR WOOD DOORS

SPECIFICATIONS

- cUL/UL listed for fire doors. Label A (3 - Hour Fire Doors)
- ANSI/BHMA A156.3
- Faceplate Size:
- LH510M - 1" x 6-3/4" (25.4mm x 171mm)
- LH510W - 1" x 8-1/2" (25.4mm x 216mm)
- Finishes: C26D and C32D

OPERATION:

- The self Latching flush bolt is used on the top of the door and is combined with a automatic flush bolt at the bottom of the door
- The top bolt (LH510M or LH510W) automatically engage frame strike when the inactive door is closed. The bolt remains engaged until it is retracted by depressing the plunger on the face of the bolt
- The bottom bolt of the pair of bolts will engage floor strike when the active door is closed



LH510W - FOR WOOD DOORS



Universal Flush Bolts

UNIVERSAL AUTOMATIC FLUSH BOLTS LHFB820 (PAIR OF 810)

SPECIFICATIONS

- cUL/UL listed for 3 hour fire rated doors
- UL 10B and 10C fire tests for door assemblies
- ANSI/BHMA A156.3
- Finishes: C3, C10B and C26D

FEATURES

- Simple Door preparation
- Easy Installation
- Requires two (2) 1-1/8" Diameter holes and simple rectangular faceplate preps
- Dual use for metal and solid wood doors
- No cut outs on inactive door
- Non-handed
- Ideal for wood veneer doors as smaller profile adds stability to the door

USE:

- These bolts are installed at the top and bottom of fire rated doors on the inactive leaf
- Top and bottom bolts will automatically retract when the active door is opened



UNIVERSAL SELF LATCHING FLUSH BOLT
LHFB780 (FB710 +FB810)

SPECIFICATIONS

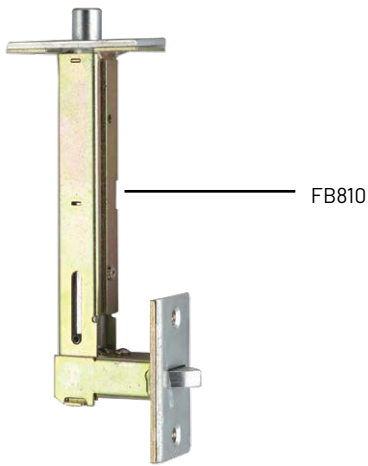
- cUL/UL listed for 3 hour fire rated doors
- UL 10B and 10C fire tests for door assemblies
- ANSI/BHMA A156.3
- Finishes: C3, C10B and C26D

FEATURES

- Simple Door preparation
- Easy Installation
- Requires two (2) 1-1/8" Diameter holes and simple rectangular faceplate preps
- Dual use for metal and solid wood doors
- No cut outs on inactive door
- Non-handed
- Ideal for wood veneer doors as smaller profile adds stability to the door

USE:

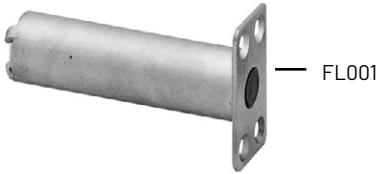
- These bolts are installed at the top and bottom of fire rated doors on the inactive leaf
- Top bolt (FB710) automatically engages the curved lip strike every time the inactive door is closed. The bolt remains engaged until it is retracted by depressing the plunger on the face plate
- Bottom bolt (FB810) will automatically retract when the active door is opened



**UNIVERSAL AUTOMATIC FLUSH BOLT LESS
BOTTOM BOLT**

LHFB810 + LHFL001

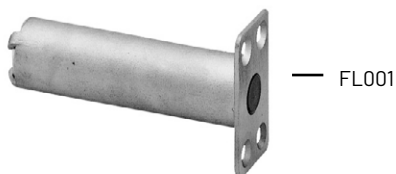
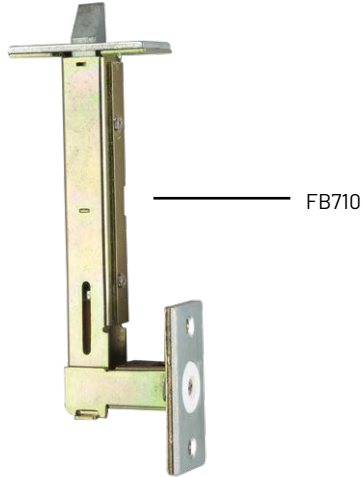
- This combination is cUL/UL listed for pairs of fire rated doors
- The top bolt is installed on the top edge of the inactive door
- The bottom fire latch bolt (LHFL001) is used to replace the automatic flush bolt
- This combination reduces the amount of door prep required



**UNIVERSAL SELF LATCHING FLUSH BOLT LESS
BOTTOM BOLT**

LHFB710 + LHFL001

- This combination is cUL/UL listed for pairs of fire rated doors
- The top bolt is installed on the top edge of the inactive door
- The bottom fire latch bolt (LHFL001) is used to replace the automatic flush bolt
- This combination reduces the amount of door prep required



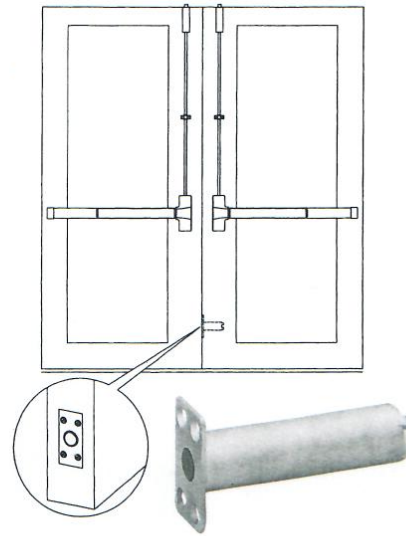
Fire Latch Bolt

LHFL001

This fire latch bolt is a temperature actuated bolt.

It is installed horizontally in the lower edge of the inactive door with a matching hole on the active door

This bolt will automatically extend from the inactive door into the active door locking both doors together



FIRE LATCH BOLT (LHFL001) INSTALLATION

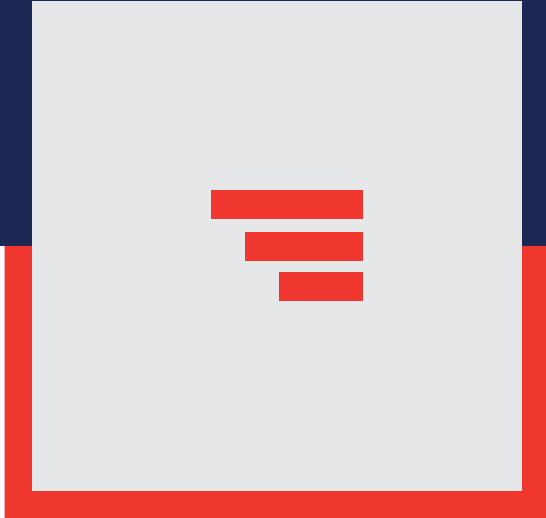
Used with automatic (LHFB810) or Self latching (LHFB710) flush bolts

INACTIVE DOOR

1. Measure 6" from bottom of the inactive door
2. Drill 7/8" diameter x 3-7/16" deep hole for fire latch bolt

ACTIVE DOOR

3. Drill a 1" diameter x 1-3/4" deep hole for plug at the exact same height as the fire latch bolt
4. Install plug in door



Integrity | Quality | Innovation

LAWRENCE[®]
HARDWARE

676 Petrolia Road, Toronto, Ontario M3J 2V2
T: 416-667-9593 TF: 1-800-267-1236 F: 416-667-0806
info@lawrencehardware.com www.lawrencehardware.com