

5300 Series Cylindrical Grade 2 Standard Duty Commercial Levers



- Designed for medium to high traffic commercial applications.
- No exposed mounting screws
- Non-handed
- Through Bolt Mounting posts 2-5/8" centre to centre provided, to prevent chassis rotation

FEATURES

- Quality heavy duty return springs to reduce lever sag
- Heavy rose liner material provides attack resistance
- Heat treated heavy gauge steel spindles
- The rose assembly is adjustable for door thickness
- Specify clutching or non-clutching when ordering.

CERTIFICATIONS

- ANSI/BHMA certified A156.2 Series 4000 Grade 2
- ADA Compliant A117.10
- cUL/UL Listed for all functions up to 3 hours

SPECIFICATIONS

For Doors	1-3/8" to 1-3/4" (35mm to 44mm)
Backset	2-3/4" (70mm) standard 2-3/8" (60mm) available
Bore	Fits 2 1/8" hole
Front	Stainless Steel or Brass, 2-1/4" x 1-1/8" (57mm x 29mm)
Strike	ANSI (4-7/8" x 1-1/4") strike standard, Wood Door strike (T-Strike) available
Roses	3-1/4" (90mm) Diameter Stainless steel or brass
Handing	Non-handed
Latchbolt	Stainless steel 1/2" (12.5mm) throw standard
Cylinder	Solid brass 6-pin cylinder Schlage C keyway with two keys per lock standard. Weiser keyway available by order keying Keyed Different (KD) standard. Available Masterkeyed (MK), Keyed Alike (KA) and Construction Master keyed (CMK) see Keys and Keying section for additional options
Finishes	US19 (622) US26D (626), US10B (613), US3 (605) for levers. Other finishes available by special order

LOCKSETS

LAWRENCEHARDWARE.COM

5300 Series

Grade 2

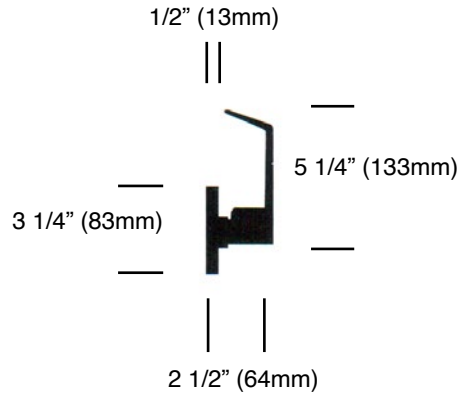
Cylindrical

209

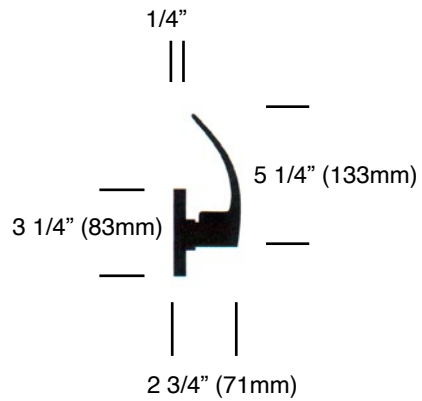
LEVER DESIGNS



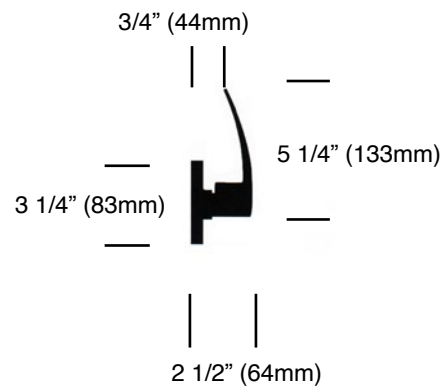
L LEVER



R LEVER



G LEVER



5300 Series Cylindrical Grade 2 Standard Duty Commercial Knobs



- Designed for medium to high traffic commercial applications. Interior office doors, banks, retail spaces and hotel guest areas
- No exposed mounting screws
- Non-handed

FEATURES

- Heavy gauge cold rolled steel spindles
- The rose assembly is adjustable for door thickness

CERTIFICATIONS

- ANSI/BHMA certified A156.2 Series 4000 Grade 2
- cUL/UL Listed for all functions up to 3 hours

SPECIFICATIONS

For Doors	1-3/8" to 1-3/4" (35mm to 44mm)
Backset	2-3/4" (70mm) standard 2-3/8" (60mm) available
Bore	Fits 2-1/8" hole
Front	Stainless Steel or Brass, 2-1/4" x 1-1/8" (57mm x 29mm)
Strike	ANSI (4-7/8" x 1-1/4") strike standard, Wood Door strike (T-Strike) available
Roses	2-3/4" (70mm) Stainless steel or brass
Handing	Non-handed
Latchbolt	Stainless steel 1/2" (12.5mm) throw standard
Cylinder	Solid brass 6-pin cylinder Schlage C keyway with two keys per lock standard. Weiser keyway available by order keying Keyed Different (KD) standard. Available Masterkeyed (MK), Keyed Alike (KA) and Construction Master keyed (CMK) see Keys and Keying section for additional options
Finishes	US32D (630) for knobs. Other finishes available by special order

LOCKSETS

LAWRENCEHARDWARE.COM

5300 Series

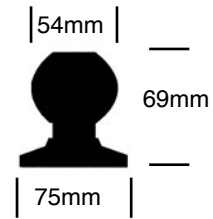
Grade 2

Cylindrical

211

KNOB DESIGN

0/B



LOCKSETS

5300 SERIES STANDARD FUNCTIONS






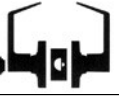


NON-KEYED	FUNCTION	ANSI NUMBER
LH5301	Passage	F75
LH5322	Privacy	F76
LH5300	Single Dummy	---
LH5328	Communicating Latch (Exit)	---

KEYED

LH5303*	Office	F82
LH5304	Entrance	F109
LH5305	Classroom	F84
LH5307	Storeroom	F86
LH5325	Communicating (double classroom) no clutch	F80
LH5327	Institutional (double storeroom) no clutch	F87

Note:* extended lead time

5300 SERIES STANDARD FUNCTIONS

Illustration	Non-Keyed	Function	ANSI Number	Description
	LH5301	Passage	F75	Latchbolt retracted by knob/lever on either side
	LH5322	Privacy	F76	Pushbutton locks outside knob/lever Turning inside knob/lever or emergency turn unlocks outside knob/lever Inside knob/lever always active
	LH5300	Single Dummy	—	Single dummy trim for one side of door Used for door pull or as matching inactive trim
	LH5328	Communicating Latch (Exit)	—	For twin communicating or exit doors where one side operation is required Blank rose outside Inside lever operational
Illustration	Keyed	Function	ANSI Number	Description
	LH5303	Office	F82	Push button locks outside knob/lever until unlocked by key or by turning inside knob/lever
	LH5304	Entrance	F109	Turn/push button locking: pushing/turning button locks outside knob/lever requiring key until button is manually unlocked Push button locking: pushing button locks outside lever until unlocked by key or by turning inside knob/lever
	LH5305	Classroom	F84	Outside knob/lever locked and unlocked by key Inside knob/lever always unlocked
	LH5307	Storeroom	F86	Outside knob/lever is fixed Entrance by key only Inside knob/lever always unlocked
	LH5325	Communicating (Double classroom)	F80	Latchbolt retracted by knob/lever on either side unless locked Key locks or unlocks its own knob/lever
	LH5327	Institutional (Double Storeroom)	F87	Both knobs/levers always locked Latchbolt retracted by key from either side