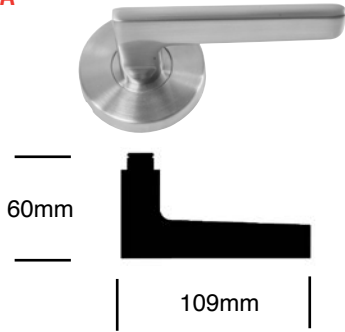


# LOCKSETS

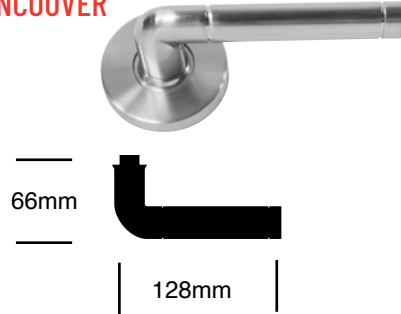
5300T Series

Cylindrical

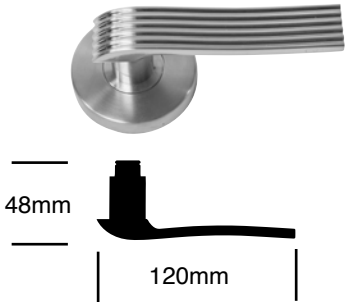
**136 MUNA**



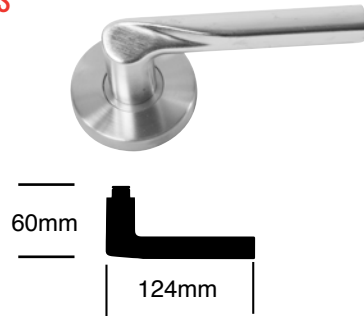
**167 VANCOUVER**



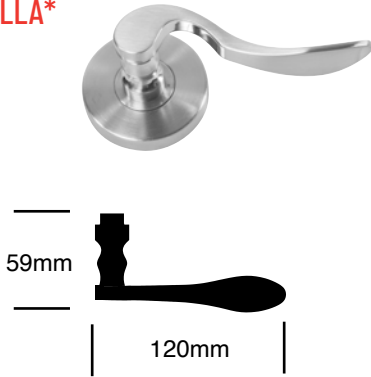
**204 WAVE**



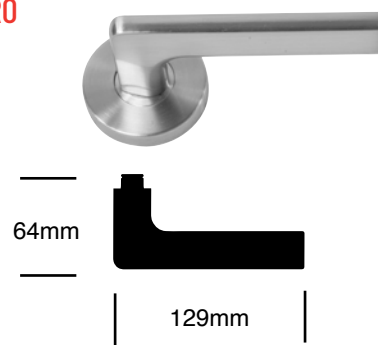
**208 AQUIS\***



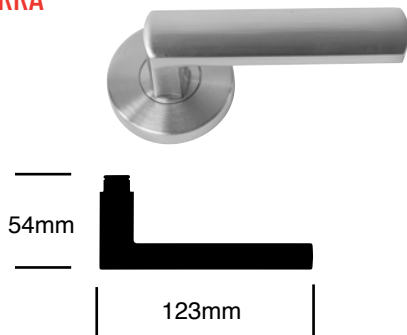
**420 BELLA\***



**423 MIRO**



**422 SERRA**



\* Note: Handed lever