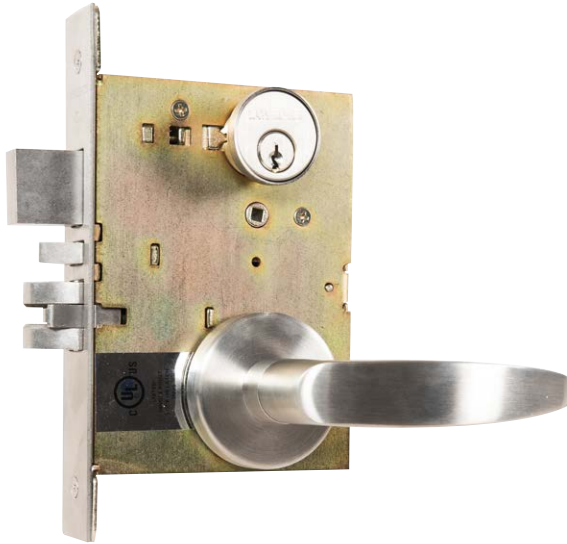


8700 Series Mortise Lockset Grade 1 Heavy Duty



APPLICATION

- Ideal for high frequency doors in public buildings, residential building, commercial, hospitality, healthcare and educational applications Heavy duty

FEATURES

- Latchbolt and deadbolt are fabricated from stainless steel
- Internal parts are fabricated from high strength steel alloy
- Mortise lock case and internal components are treated to ensure corrosion resistance
- Lockcase can be reversed without disassembling the lock body
- High strength steel alloy cylinder retainer
- Two piece anti friction latchbolt reduces wear and tear
- Hub blocking plate guards against spindle manipulation
- Self adjusting tabs on case
- Consistent dependable operation stands up to rigorous use and abuse
- Field reversible
- Concealed thru bolts
- Standard and designer trims available

CERTIFICATIONS

- Certified to ANSI/BHMA A156.13 Grade 1 tested to 1,000,000 cycles
- UL10C Listed - Positive Pressure Fire Test of Door Assemblies upto 3 hr. for hollow metal doors
- ADA Compliant ANSI A117.1 Accessibility Code
- CAN/ULC-S104 Listed - Standard Method for Fire Tests of Door Assemblies
- Deadbolt function compliant to Ontario Building Code - Resistance to Forced Entry for Doors
- Conforms to ANSI A115.1 - standardize dimensional requirements for hardware preparations

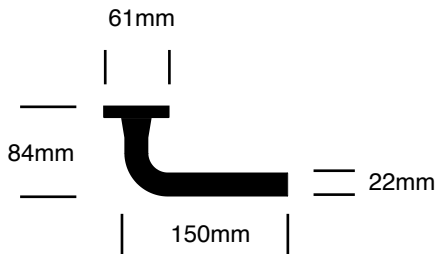
SPECIFICATIONS

Case size	4-5/16" x 6" x 1" (110mm x 152mm x 25mm)
Armour Front	1-1/4" x 8" (32mm x 203mm)
Backset	2-3/4" (70mm) only
Door Thickness	1-3/4" (44mm). standard; Please check with factory for other door thickness
Deadbolt throw	1" (25mm) throw
Latchbolt throw	3/4" (19mm) throw, with anti-friction tongue
Handing	Non-handed
Through Bolts	Through bolted trim aligns with mortise lock case
Stop works	Incorporated into thumbturn
Strike	ANSI (1-1/4" x 4-7/8") Curved lip, square corner. Extended lip strikes available
Spindles	Preventing forced entry or lock damage
Cylinder	6 pin cylinder standard, with two keys, "C" keyway
IC Core	Interchangeable Core (IC) available
Cam	All cylinder functions use standard butterfly style cam
Cylinder Collar	Compression ring and collar supplied standard
Fasteners	Concealed under the rose or escutcheon
Finishes	Standard levers C19 (622) C32D (630), Designer levers C32D (630), C19 (622) Other finishes available with extended lead time

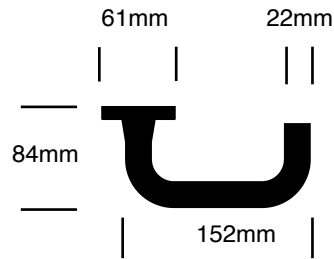
8700 SERIES STANDARD LEVER DESIGNS



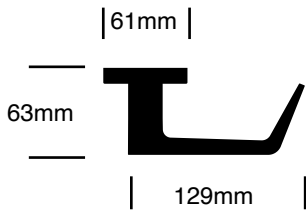
L801 (HOLLOW)



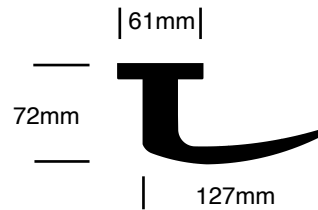
L802 (HOLLOW)



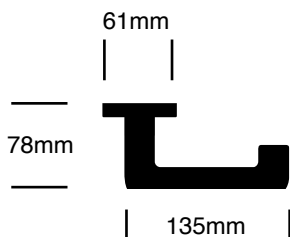
L811



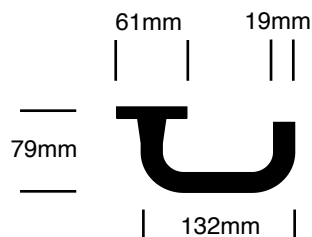
L812



L813



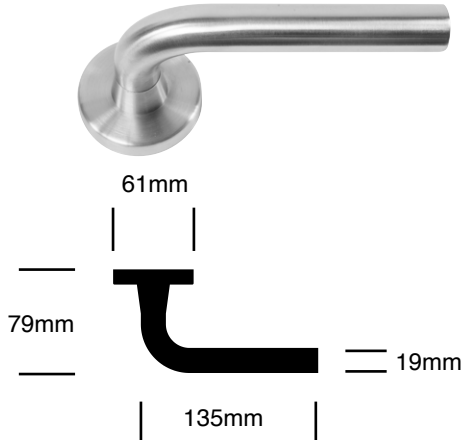
L814



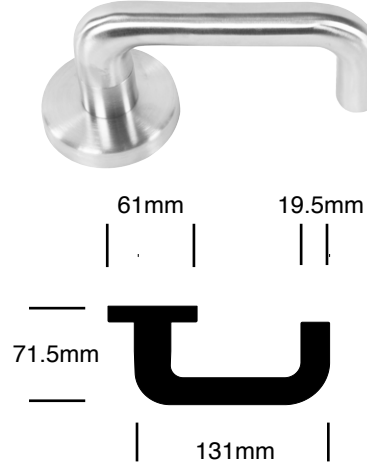
8700 SERIES STANDARD LEVER DESIGNS



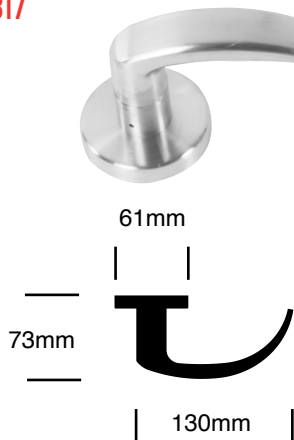
L815



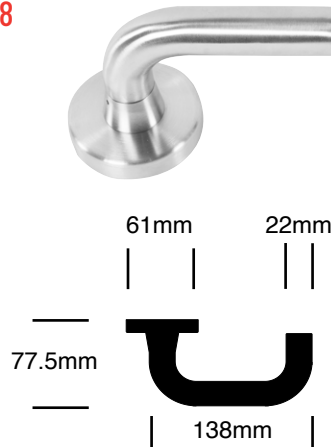
L816



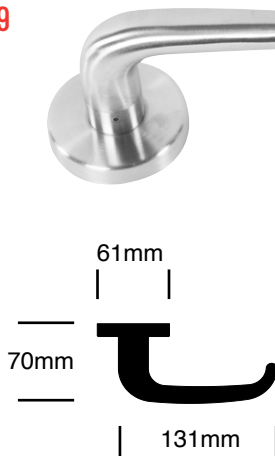
L817



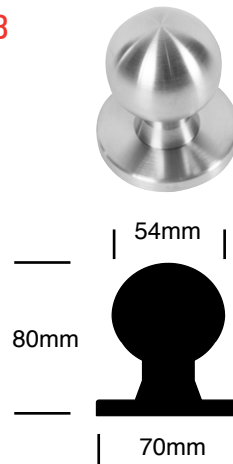
L818



L819

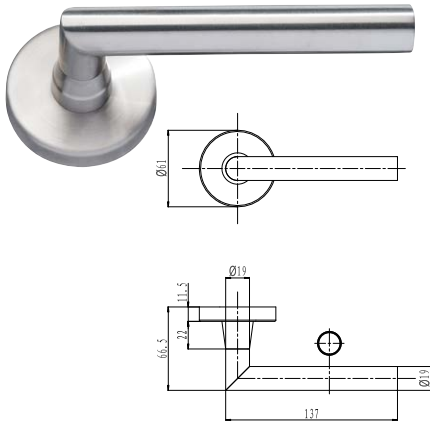


BALL KNOB

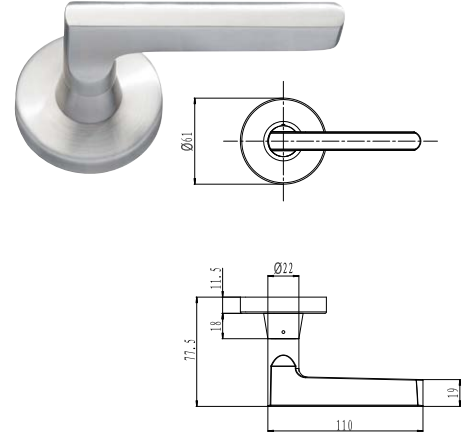


8700 ANSI Designer Levers

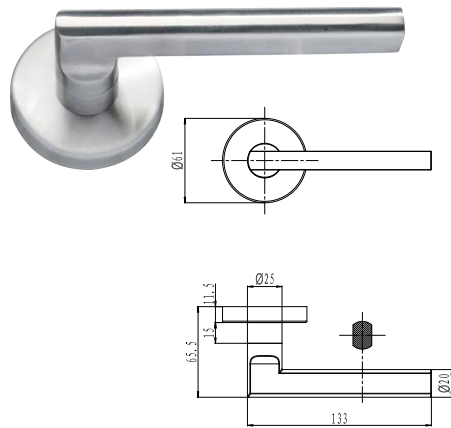
**N002
HOUSTON**



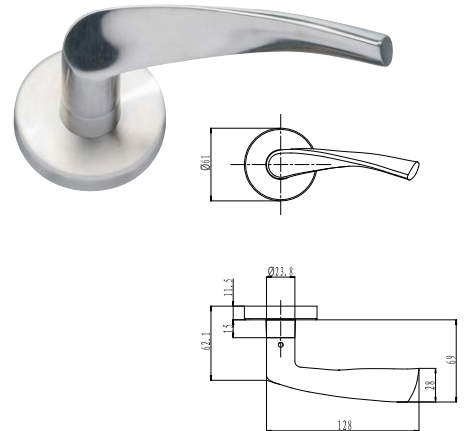
**N136
MUNA**



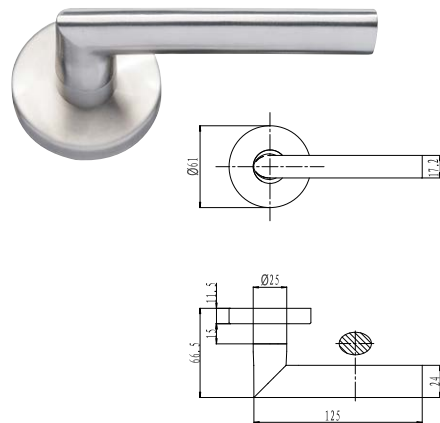
**N119
LOGAN**



**N102
PICASSO**

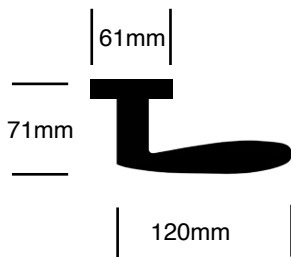


**N126
STELLA**

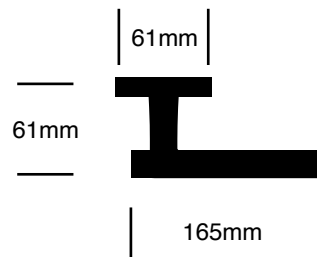


8700 ANSI Designer Levers

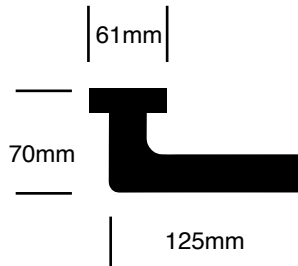
**N101
MATISSE**



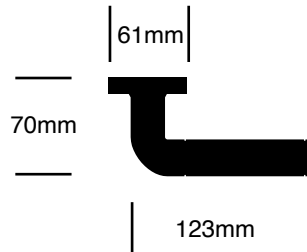
**N156
WINNEPEG**



**N423
MIRO**



**N167
VANCOUVER**

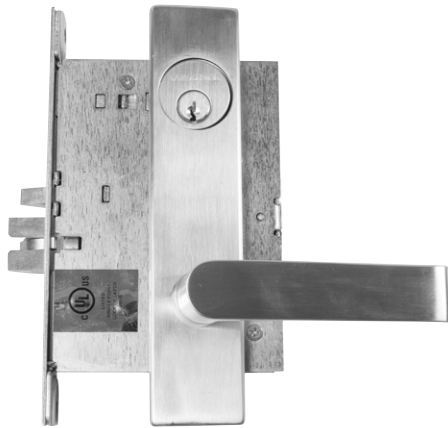


Escutcheon Plates

ESC1 OUTSIDE

1 3/4" (44mm) WIDE x 7 15/16" (202mm) HIGH x
7/16" (11mm) THICK

ESC1 INSIDE



NOTE: ESCUTCHEONS AVAILABLE FOR ALL FUNCTIONS

8700 Series Standard Functions

NON KEYED WITHOUT DEADBOLT

PART NUMBER	FUNCTION	ANSI NUMBER
-------------	----------	-------------

LH8701	Passage	F01
LH8722	Privacy	F22

KEYED WITHOUT DEADBOLT

LH8704	Office	F04
LH8705	Classroom	F05
LH8707	Storeroom	F07

KEYED WITH DEADBOLT

LH8713	Corridor	F13
LH8714	Store door	F—
LH8720	Entrance	F20
LH8721	Dormitory	F21

DEADBOLT FUNCTIONS

LH8717	Deadbolt with turn	F17
LH8718	Deadbolt w/o turn	F18

Note: Other functions available upon request











8700 SERIES OPTIONS

- Lead Lined Mortise Body
- Torx Plus Fasteners
- Coin Turn
- Accessible thumb turn
- Occupied Indicator
- Anti microbial coating

Note: No BHMA / UL Listing available for 8700 Series Mortise Lockset Options

*Note: Our stock EL/EU locks are with REX.

8700 SERIES STANDARD LOCK FUNCTIONS

Illustration	Non-Keyed	Function	ANSI Number	Description
	LH8701	Passage	F01	Latchbolt retracted by knob/lever on either side
	LH8722	Privacy	F22	Latchbolt retracted by knob/lever on either side unless outside is locked by thumbturn Operating inside knob/lever or emergency turn outside unlocks outside Inside knob/lever always active
Illustration	Keyed without deadbolt	Function	ANSI Number	Description
	LH8704	Office	F04	Latchbolt retracted by knob/lever from either side unless outside is locked by key outside or by turning inside thumbturn When outside is locked, latchbolt is retracted by key outside or by knob/lever inside. Outside knob/lever remains locked until thumbturn is returned to vertical or unlocked by key Auxiliary latch deadlocks latchbolt when door is locked Inside knob/lever always free
	LH8705	Classroom	F05	Latchbolt retracted by knob/lever from either side unless outside is locked by key. Unlocked from outside by key. Auxiliary latch deadlocks latchbolt when door is locked Inside knob/lever is always free for immediate egress
	LH8707	Storeroom	F07	Latchbolt retracted by key outside or by knob/lever inside Outside knob/lever always locked Auxiliary latch deadlocks latchbolt when door is locked Inside knob/lever is always free for immediate egress
Illustration	Keyed with deadbolt	Function	ANSI Number	Description
	LH8713	Corridor	F13	Latchbolt retracted by knob/lever from either side Deadbolt thrown or retracted by key outside or inside thumbturn Throwing deadbolt locks outside knob/lever Turning inside knob/lever simultaneously retracts deadbolt and latchbolt and unlocks outside knob lever Inside knob/lever is always free for immediate egress
	LH8720	Entrance	F20	Latchbolt retracted by knob/lever from either side unless outside is locked by 20 degree rotation of thumbturn Deadbolt thrown or retracted by 90 degree rotation of thumbturn When locked, key outside or knob/lever inside retracts deadbolt and latchbolt simultaneously Outside knob/lever remains locked until thumbturn is restored to vertical position Throwing deadbolt locks outside knob/lever Auxiliary latch deadlocks latchbolt when door is locked Inside knob/lever is always free for immediate egress
	LH8721	Dormitory	F21	Latchbolt retracted by knob/lever from either side Deadbolt thrown or retracted by key outside or thumbturn inside
Illustration	Deadbolt Functions	Function	ANSI Number	Description
	LH8717	Deadbolt with Turn	F17	Deadbolt thrown or retracted by key outside or thumbturn inside
	LH8718	Deadbolt without Turn	F18	Deadbolt thrown or retracted by key outside



LEAD LINED

1/8" thick lead plate installed on case cover for use on x-ray room doors



TORX SECURITY

Enhance security and reduce tampering with the use of Torx security fasteners



COIN TURN CYLINDER

For Emergency override



ACCESSIBLE THUMB TURN

Available for rose trim only

ANTIMICROBIAL

Lawrence Hardware offers a wide range of architectural products with antimicrobial coating

Occupied Indicators

2 1/16" DIA



INDICATOR R/W

Red/White indicator with coin turn

1 15/16" DIA



INDICATOR R/GRN

Red/Green indicator with coin turn

1 5/8"

3 1/4"



INDICATOR DND

Blank / Do not Disturb actuated by thumb turn for rose turn only